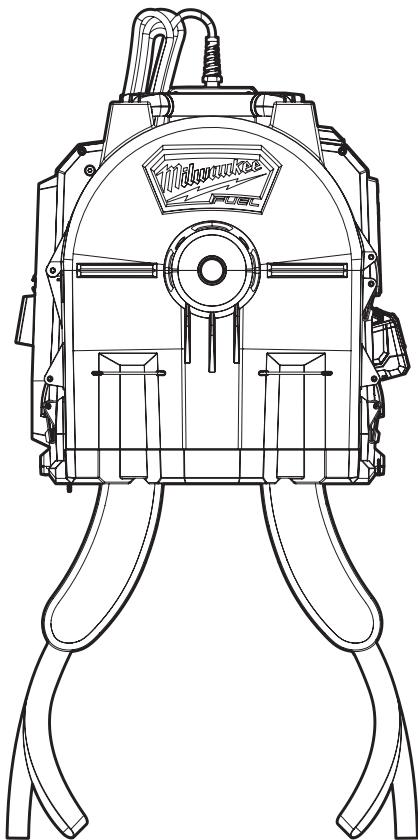




OPERATOR'S MANUAL



Cat. No.
M18 FFSDC16

M18™ FUEL™ SWITCH PACK™ SECTIONAL DRUM SYSTEM



To reduce the risk of injury, user must read and understand operator's manual.



GENERAL POWER TOOL SAFETY WARNINGS

WARNING Read all safety warnings, instructions, illustrations and specifications provided with this power tool. Failure to follow all instructions listed below may result in electric shock, fire and/or serious injury. **Save all warnings and instructions for future reference.** The term "power tool" in the warnings refers to your mains-operated (corded) power tool or battery-operated (cordless) power tool.

WORK AREA SAFETY

- **Keep work area clean and well lit.** Cluttered or dark areas invite accidents.
- **Do not operate power tools in explosive atmospheres, such as in the presence of flammable liquids, gases or dust.** Power tools create sparks which may ignite the dust or fumes.
- **Keep children and bystanders away while operating a power tool.** Distractions can cause you to lose control.

ELECTRICAL SAFETY

- **Power tool plugs must match the outlet. Never modify the plug in any way. Do not use any adapter plugs with earthed (grounded) power tools.** Unmodified plugs and matching outlets will reduce risk of electric shock.
- **Avoid body contact with earthed or grounded surfaces, such as pipes, radiators, ranges and refrigerators.** There is an increased risk of electric shock if your body is earthed or grounded.
- **Do not expose power tools to rain or wet conditions.** Water entering a power tool will increase the risk of electric shock.
- **Do not abuse the cord. Never use the cord for carrying, pulling or unplugging the power tool. Keep cord away from heat, oil, sharp edges or moving parts.** Damaged or entangled cords increase the risk of electric shock.
- **When operating a power tool outdoors, use an extension cord suitable for outdoor use.** Use of a cord suitable for outdoor use reduces the risk of electric shock.
- **If operating a power tool in a damp location is unavoidable, use a ground fault circuit interrupter (GFCI) protected supply.** Use of an GFCI reduces the risk of electric shock.

PERSONAL SAFETY

- **Stay alert, watch what you are doing and use common sense when operating a power tool. Do not use a power tool while you are tired or under the influence of drugs, alcohol or medication.** A moment of inattention while operating power tools may result in serious personal injury.
- **Use personal protective equipment. Always wear eye protection.** Protective equipment such as a dust mask, non-skid safety shoes, hard hat or hearing protection used for appropriate conditions will reduce personal injuries.
- **Prevent unintentional starting. Ensure the switch is in the off-position before connecting to power source and/or battery pack, picking up or carrying the tool.** Carrying power tools with your finger on the switch or energising power tools that have the switch on invites accidents.
- **Remove any adjusting key or wrench before turning the power tool on.** A wrench or a key left attached to a rotating part of the power tool may result in personal injury.

- **Do not overreach. Keep proper footing and balance at all times.** This enables better control of the power tool in unexpected situations.
- **Dress properly. Do not wear loose clothing or jewelry. Keep your hair and clothing away from moving parts.** Loose clothes, jewelry or long hair can be caught in moving parts.
- **If devices are provided for the connection of dust extraction and collection facilities, ensure these are connected and properly used.** Use of dust collection can reduce dust-related hazards.
- **Do not let familiarity gained from frequent use of tools allow you to become complacent and ignore tool safety principles.** A careless action can cause severe injury within a fraction of a second.

POWER TOOL USE AND CARE

- **Do not force the power tool. Use the correct power tool for your application.** The correct power tool will do the job better and safer at the rate for which it was designed.
- **Do not use the power tool if the switch does not turn it on and off.** Any power tool that cannot be controlled with the switch is dangerous and must be repaired.
- **Disconnect the plug from the power source and/or remove the battery pack, if detachable, from the power tool before making any adjustments, changing accessories, or storing power tools.** Such preventive safety measures reduce the risk of starting the power tool accidentally.
- **Store idle power tools out of the reach of children and do not allow persons unfamiliar with the power tool or these instructions to operate the power tool.** Power tools are dangerous in the hands of untrained users.
- **Maintain power tools and accessories. Check for misalignment or binding of moving parts, breakage of parts and any other condition that may affect the power tool's operation. If damaged, have the power tool repaired before use.** Many accidents are caused by poorly maintained power tools.
- **Keep cutting tools sharp and clean.** Properly maintained cutting tools with sharp cutting edges are less likely to bind and are easier to control.
- **Use the power tool, accessories and tool bits etc. in accordance with these instructions, taking into account the working conditions and the work to be performed.** Use of the power tool for operations different from those intended could result in a hazardous situation.
- **Keep handles and grasping surfaces dry, clean and free from oil and grease.** Slippery handles and grasping surfaces do not allow for safe handling and control of the tool in unexpected situations.

BATTERY TOOL USE AND CARE

- **Recharge only with the charger specified by the manufacturer.** A charger that is suitable for one type of battery pack may create a risk of fire when used with another battery pack.
- **Use power tools only with specifically designated battery packs.** Use of any other battery packs may create a risk of injury and fire.
- **When battery pack is not in use, keep it away from other metal objects, like paper clips, coins, keys, nails, screws or other small metal objects, that can make a connection from one terminal to another.** Shorting the battery terminals together may cause burns or a fire.
- **Under abusive conditions, liquid may be ejected from the battery; avoid contact. If contact ac-**

- accidentally occurs, flush with water. If liquid contacts eyes, additionally seek medical help. Liquid ejected from the battery may cause irritation or burns.
- **Do not use a battery pack or tool that is damaged or modified.** Damaged or modified batteries may exhibit unpredictable behavior resulting in fire, explosion or risk of injury.
- **Do not expose a battery pack or tool to fire or excessive temperature.** Exposure to fire or temperature above 130°C (265°F) may cause explosion.
- **Follow all charging instructions and do not charge the battery pack or tool outside the temperature range specified in the instructions.** Charging improperly or at temperatures outside the specified range may damage the battery and increase the risk of fire.

SERVICE

- **Have your power tool serviced by a qualified repair person using only identical replacement parts.** This will ensure that the safety of the power tool is maintained.
- **Never service damaged battery packs.** Service of battery packs should only be performed by the manufacturer or authorised service providers.

SPECIFIC SAFETY RULES

- **Only grasp the rotating cable with gloves recommended by the manufacturer.** Latex or loose fitting gloves or rags can become wrapped around the cable and may result in serious personal injury.
- **Do not allow the cutter to stop turning while the cable is turning.** This can overstress the cable and may cause twisting, kinking or breaking of the cable and may result in serious personal injury.
- **Use latex or rubber gloves inside the gloves recommended by the manufacturer, goggles, face shields, protective clothing, and respirator when chemicals, bacteria or other toxic or infectious substances are suspected to be in a drain line.** Drains may contain chemicals, bacteria and other substances that may cause burns, be toxic or infectious or may result in other serious personal injury.
- **Practice good hygiene. Do not eat or smoke while handling or operating the tool. After handling or operating drain cleaning equipment, use hot, soapy water to wash hands and other body parts exposed to drain contents.** This will help reduce the risk of health hazards due to exposure to toxic or infectious material.
- **Only use the drain cleaner for the recommended drain sizes.** Using the wrong size drain cleaner can lead to twisting, kinking or breaking of the cable and may result in personal injury.
- **Inspect cable for wear and damage before use.** Replace a worn or damaged cable before using the drain cleaner.
- **Do not twist, kink or over bend cables.** Breaking of the cable may result in serious personal injury.
- **Inspect the drain to be cleaned before use.** If possible, determine the access point(s) to the drain, the size(s) and length(s) of the drain, distance to mainlines, the nature of the blockage, presence of drain cleaning chemicals or other chemicals, etc. If chemicals are present in the drain, it is important to understand the specific safety measures required to work around those chemicals. Contact the chemical manufacturer for required information.
- **If needed, place protective covers in the work area.** The drain cleaning process can be messy.
- **Make sure cable is fully retracted inside of the drain cleaner.** This will prevent whipping at start up.

- **Place the drain cleaner at a distance no greater than 610mm from drain opening.** If the drain cleaner cannot be placed within 610mm from the drain opening, the drain opening will need to be extended using a similar size pipe and fittings. Greater distances can cause control problems leading to twisting, kinking, breaking or whipping of the cable.
- **One person must control both the trigger switch and cable.** If the tool stops rotating, the user must be able to turn the tool off to prevent twisting, kinking, breaking or whipping of the cable.
- **Do not operate the drain cleaner in reverse rotation except as described in this manual.** Running the tool in reverse for extended periods can cause damage to the cable and accessories.







- **⚠WARNING** To reduce the risk of fire, personal injury, and product damage due to a short circuit, never immerse your tool, battery pack or charger in fluid or allow a fluid to flow inside them. Corrosive or conductive fluids, such as seawater, certain industrial chemicals, and bleach or bleach containing products, etc., can cause a short circuit.
- **Maintain labels and nameplates.** These carry important information. If unreadable or missing, contact a MILWAUKEE® service facility for a replacement.

- **⚠WARNING** Some dust created by power sanding, sawing, grinding, drilling, and other construction activities contains chemicals known to cause cancer, birth defects or other reproductive harm. Some examples of these chemicals are:
 - lead from lead-based paint
 - crystalline silica from bricks and cement and other masonry products, and
 - arsenic and chromium from chemically-treated lumber.
 Your risk from these exposures varies, depending on how often you do this type of work. To reduce your exposure to these chemicals: work in a well ventilated area, and work with approved safety equipment, such as those dust masks that are specially designed to filter out microscopic particles.

SPECIFICATIONS

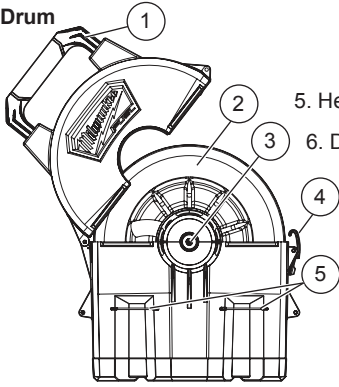
| | |
|---------------------------------|-----------------------|
| Cat. No. | M18 FFSDC16 |
| Volts..... | 18 DC |
| No Load RPM..... | 250 |
| Battery Type..... | M18™ |
| Charger Type..... | M18™ |
| Drain Line Capacity..... | Up to 30.5m |
| Cable Range..... | 8mm-16mm (5/16"-5/8") |
| Tool Weight (With Battery)..... | 7.8kg |

SYMBOLGY

-  Volts
-  Direct Current
- $n_r \times \text{xxxx} \text{min.}^{-1}$ No-Load Revolutions per Minute (RPM)
-  Do not allow battery to contact corrosive or conductive fluid
-  Only wear leather gloves
-  Do not transport this tool when the drum and backpack are connected
-  Regulatory Compliance mark (RCM). This product meets applicable regulatory requirements.

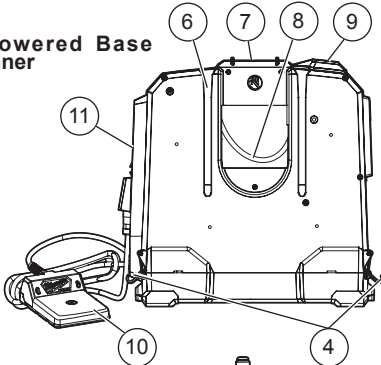
FUNCTIONAL DESCRIPTION

Drum

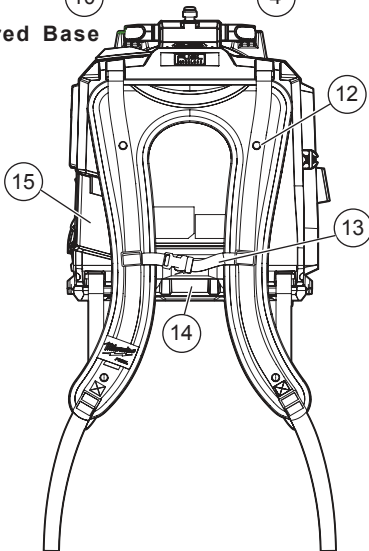


1. Handle
2. Inner drum
3. Cable
4. Latches
5. Head attachment storage guides
6. Drum alignment guides
7. Foot pedal storage
8. Drive belt
9. Forward/Off/Reverse switch
10. Foot pedal
11. Cord wrap

Powered Base Inner



Powered Base Outer



12. Backpack straps
13. Chest buckle straps
14. Kickstand
15. Battery bay

ADDITIONAL BATTERY SAFETY RULES

⚠ WARNING To reduce the risk of fire, personal injury, and product damage due to a short circuit, never immerse your tool, battery pack or charger in fluid or allow a fluid to flow inside them. Corrosive or conductive fluids, such as seawater, certain industrial chemicals, and bleach or bleach-containing products, etc., can cause a short circuit.

ASSEMBLY

⚠ WARNING Recharge only with the charger specified for the battery. For specific charging instructions, read the operator's manual supplied with your charger and battery.

Removing/Inserting the Battery

To **remove** the battery, push in the release buttons and pull the battery pack away from the tool.

⚠ WARNING Always remove battery pack before changing or removing accessories.

To **insert** the battery, slide the pack into the body of the tool. Make sure it latches securely into place.

⚠ WARNING Only use accessories specifically recommended for this tool. Others may be hazardous.

Always store tool in its bucket with insert to avoid damage to the cable.

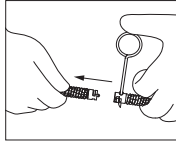
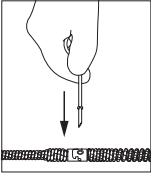
Cable Installation

⚠ WARNING To reduce the risk of injury, wear safety goggles or glasses with side shields. Always wear leather gloves. Cable tip may be sharp.

Remove the cable for cleaning after each use. Different size and types of cables are available for different applications.

To remove the cable:

1. Turn the forward/off/reverse switch to the off position **O** and remove the battery pack.
2. Pull the cable out through the nose of the drum until the anchor cable shows.
3. Remove the cable from the anchor cable by inserting the pin key into the coupling hole and pulling the cable away.



4. To clean or maintain cable, follow the cleaning instructions under "Maintenance".

To install the cable:

1. Turn the forward/off/reverse switch to the off position **O** and remove the battery pack.
2. Install the cable to the anchor cable by snapping the attachment coupler into the cable coupler.
3. Feed the cable into the drum.
4. Remove the protective tip cover from new cables before use.

Cable Attachment Installation

To install the attachment:

Snap the attachment coupler into the cable coupler. Test the cable before inserting into the drain to make sure the attachment does not fall off during use.

To remove the attachment:

Insert the pin key into the coupling hole and pull attachment off of cable.

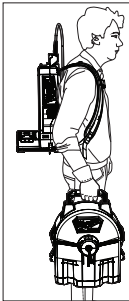
Transportation and Set Up

WARNING Do not transport this tool when the drum and backpack are connected.

Tipping may occur.

To transport the tool:

1. Remove drum from the backpack area.
2. Place the foot pedal in its storage and tie the pedal cord using the cord wrap.
3. Place the backpack over back and buckle the chest straps together.
4. Lift the drum to the drain area, as shown.



To set up the tool:

1. Once at the drain, area, remove backpack and place it no further than 610mm from the drain.
WARNING! Greater distance can cause twisting, kinking, breaking or whipping of the cable.
2. Remove the foot pedal and cord from the backpack and place to the side, ensuring the cord will not tangle with the tool cable.
3. Place the drum onto the powered base by using the drum alignment guides. Press drum down onto powered base while latching to ensure a complete connection.

OPERATION

WARNING Always remove battery pack before changing or removing accessories.

Only use accessories specifically recommended for this tool. Others may be hazardous.

To reduce the risk of short circuit, when setting tool or battery down, do not allow battery to contact corrosive or conductive fluid.

To reduce the risk of injury, wear safety goggles or glasses with side shields. Always wear leather gloves.

Using Forward/Off/Reverse Switch

1. For **forward** (clockwise) rotation, turn the forward/off/reverse switch to the arrow pointing towards the nose of the drum ↑. Check the direction of rotation before use.
2. For **reverse** (counterclockwise) rotation, turn the forward/off/reverse switch to the arrow pointing away from the nose of the drum ↓. Check the direction of rotation before use.
3. To **lock** the switch, turn the forward/off/reverse switch to the centre position **O**. The foot pedal will not work while the forward/off/reverse switch is in the centre locked position. Always lock the switch or remove the battery pack before performing maintenance, changing accessories, storing the tool and any time the tool is not in use.

Starting and Stopping Speed

1. To **start** the tool, push the forward/off/reverse switch to either direction and step or kneel on the foot pedal.
2. To **stop** the tool, release pressure on the pedal.

Inserting Cable Into Drain

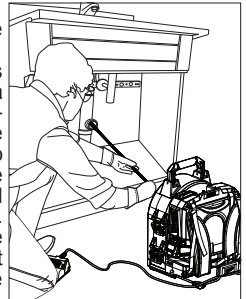
1. Transport and set the tool up according to the instructions under "Transportation and Set Up".
2. Grasp the cable close to the tool and feed at least 610mm into the drain.

WARNING! Wear leather gloves.

3. Turn the forward/off/reverse switch to the forward position ↑ and engage the foot pedal to begin rotating the cable.
4. Continue feeding cable into the drain until the obstruction is reached.

NOTE: If more cable is needed to reach the clog, a second drum may be connected. To do this, turn the forward/off/reverse switch to the off position **O**. Remove the drum from the powered base and place to the side. Insert a new drum onto the powered base. Disconnect the anchor cable from the original drum and connect it to the anchor cable in the second cable according to instructions under "Cable Attachment Installation".

5. When the clog is reached, move the cable in a back and forth motion until the obstruction is cleared. If the tool binds, release pressure from the foot pedal immediately. Repeat until the drain is clear.



To Unbind Cable

1. Turn the forward/off/reverse switch to the reverse position ↑ and engage the foot pedal to begin rotating the cable.
2. Withdraw the tool a few inches while in reverse to free the cable.
3. Stop the tool.
4. After the tool has come to a complete stop, switch back to the forward position.

CAUTION Running the tool in reverse for extended periods can cause damage to the cable and accessories.

Removing Cable From Drain

1. Turn the forward/off/reverse switch to the forward position ↑ and engage the foot pedal.
2. Pull the cable away from the drain.
3. Wipe the exposed cable with a rag and feed it back into the drum.
4. Repeat steps 2-4 until the cable is free from the drain.
5. Before storing the tool, wash the cable and drum (see "Cleaning Cables and Drums" in Maintenance).

MAINTENANCE

⚠WARNING To reduce the risk of injury, always unplug the charger and remove the battery pack from the charger or tool before performing any maintenance. Never disassemble the tool, battery pack or charger. Contact a MILWAUKEE® service facility for ALL repairs.

Maintaining Tool

Keep your tool, battery pack and charger in good repair by adopting a regular maintenance program. Inspect your tool for issues such as undue noise, misalignment or binding of moving parts, breakage of parts, or any other condition that may affect the tool operation. Return the tool, battery pack, and charger to a MILWAUKEE® service facility for repair. After six months to one year, depending on use, return the tool, battery pack and charger to a MILWAUKEE® service facility for inspection. If the tool does not start or operate at full power with a fully charged battery pack, clean the contacts on the battery pack. If the tool still does not work properly, return the tool, charger and battery pack, to a MILWAUKEE® service facility for repairs.

⚠WARNING To reduce the risk of fire, personal injury, and product damage, never immerse your tool, battery pack or charger in fluid or allow a fluid to flow inside them.

Cleaning

Clean dust and debris from vents. Keep handles clean, dry and free of oil or grease. Use only mild soap and a damp cloth to clean, since certain cleaning agents and solvents are harmful to plastics and other insulated parts. Some of these include gasoline, turpentine, lacquer thinner, paint thinner, chlorinated cleaning solvents, ammonia and household detergents containing ammonia. Never use flammable or combustible solvents around tools.

Cleaning Cables and Drums

The cable and drum should be thoroughly flushed with water after every use to prevent damaging effects of sediment and drain cleaning compounds. **WARNING!** Wear leather gloves. After washing, dry the cable and drum completely. Then, wipe cable with an oiled rag before returning it to the drum according to the instructions in "Cable Installation".

Repairs

For repairs, return the tool, battery pack and charger to the nearest service centre.

ACCESSORIES

⚠WARNING Use only recommended accessories. Others may be hazardous.

For a complete listing of accessories, go online to
www.milwaukeetools.com.au/
www.milwaukeetools.co.nz or contact a distributor.

WARRANTY - AUSTRALIA and NEW ZEALAND

Please refer to Australian and New Zealand warranty supplied with tool. This warranty applies only to product sold in Australia and New Zealand.

SERVICE - AUSTRALIA and NEW ZEALAND

MILWAUKEE® prides itself in producing a premium quality product that is Nothing But Heavy Duty®. Your satisfaction with our products is very important to us! If you encounter any problems with the operation of this tool, please contact your authorised MILWAUKEE® dealer.

For a list of MILWAUKEE® dealers, guarantee or service agents please contact MILWAUKEE® Customer Service or visit our website.
(Australia Toll Free Telephone Number 1300 645 928)
(New Zealand Toll Free Telephone Number 0800 279 624)
or visit www.milwaukeetools.com.au / www.milwaukeetools.co.nz.

Milwaukee Electric Tool Corporation

13135 West Lisbon Road, Brookfield, Wisconsin U.S.A. 53005

Milwaukee Tool (Australia)

21 Kelletts Road, Rowville, VIC 3178
Melbourne, Australia

Milwaukee Tool (New Zealand)

2 Landing Drive, Mangere
Auckland, 2022, New Zealand

Designed by Milwaukee Electric Tool Corp.
Professionally Made in China for Milwaukee Tool (Australia) / Milwaukee Tool (New Zealand)
Printed in China