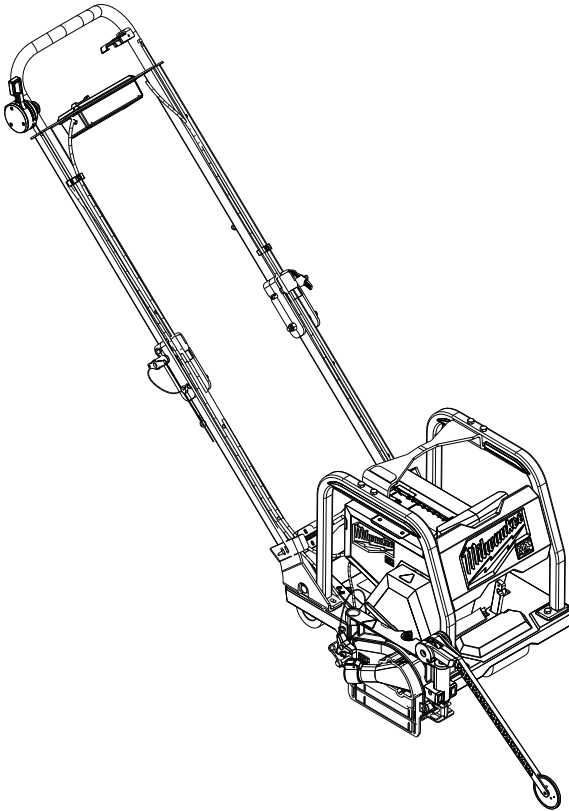




OPERATOR'S MANUAL



Cat. No.
MXF EES

MX FUEL™ 150MM (6") GREEN CONCRETE SAW

 **WARNING**

 To reduce the risk of injury, user must read and understand operator's manual.

GENERAL POWER TOOL SAFETY WARNINGS

⚠WARNING Read all safety warnings, instructions, illustrations and specifications provided with this power tool. Failure to follow all instructions listed below may result in electric shock, fire and/or serious injury. **Save all warnings and instructions for future reference.** The term "power tool" in the warnings refers to your mains-operated (corded) power tool or battery-operated (cordless) power tool.

WORK AREA SAFETY

- **Keep work area clean and well lit.** Cluttered or dark areas invite accidents.
- **Do not operate power tools in explosive atmospheres, such as in the presence of flammable liquids, gases or dust.** Power tools create sparks which may ignite the dust or fumes.
- **Keep children and bystanders away while operating a power tool.** Distractions can cause you to lose control.

ELECTRICAL SAFETY

- **Power tool plugs must match the outlet. Never modify the plug in any way. Do not use any adapter plugs with earthed (grounded) power tools.** Unmodified plugs and matching outlets will reduce risk of electric shock.
- **Avoid body contact with earthed or grounded surfaces, such as pipes, radiators, ranges and refrigerators.** There is an increased risk of electric shock if your body is earthed or grounded.
- **Do not expose power tools to rain or wet conditions.** Water entering a power tool will increase the risk of electric shock.
- **Do not abuse the cord. Never use the cord for carrying, pulling or unplugging the power tool. Keep cord away from heat, oil, sharp edges or moving parts.** Damaged or entangled cords increase the risk of electric shock.
- **When operating a power tool outdoors, use an extension cord suitable for outdoor use.** Use of a cord suitable for outdoor use reduces the risk of electric shock.
- **If operating a power tool in a damp location is unavoidable, use a residual current device (RCD) protected supply.** Use of a RCD reduces the risk of electric shock.

PERSONAL SAFETY

- **Stay alert, watch what you are doing and use common sense when operating a power tool. Do not use a power tool while you are tired or under the influence of drugs, alcohol or medication.** A moment of inattention while operating power tools may result in serious personal injury.
- **Use personal protective equipment. Always wear eye protection.** Protective equipment such as a dust mask, non-skid safety shoes, hard hat or hearing protection used for appropriate conditions will reduce personal injuries.
- **Prevent unintentional starting. Ensure the switch is in the off-position before connecting to power source and/or battery pack, picking up or carrying the tool.** Carrying power tools with your finger on the switch or energising power tools that have the switch on invites accidents.

- **Remove any adjusting key or wrench before turning the power tool on.** A wrench or a key left attached to a rotating part of the power tool may result in personal injury.
- **Do not overreach. Keep proper footing and balance at all times.** This enables better control of the power tool in unexpected situations.
- **Dress properly. Do not wear loose clothing or jewellery. Keep your hair and clothing away from moving parts.** Loose clothes, jewellery or long hair can be caught in moving parts.
- **If devices are provided for the connection of dust extraction and collection facilities, ensure these are connected and properly used.** Use of dust collection can reduce dust-related hazards.
- **Do not let familiarity gained from frequent use of tools allow you to become complacent and ignore tool safety principles.** A careless action can cause severe injury within a fraction of a second.

POWER TOOL USE AND CARE

- **Do not force the power tool. Use the correct power tool for your application.** The correct power tool will do the job better and safer at the rate for which it was designed.
 - **Do not use the power tool if the switch does not turn it on and off.** Any power tool that cannot be controlled with the switch is dangerous and must be repaired.
 - **Disconnect the plug from the power source and/or remove the battery pack, if detachable, from the power tool before making any adjustments, changing accessories, or storing power tools.** Such preventive safety measures reduce the risk of starting the power tool accidentally.
 - **Store idle power tools out of the reach of children and do not allow persons unfamiliar with the power tool or these instructions to operate the power tool.** Power tools are dangerous in the hands of untrained users.
 - **Maintain power tools and accessories. Check for misalignment or binding of moving parts, breakage of parts and any other condition that may affect the power tool's operation. If damaged, have the power tool repaired before use.** Many accidents are caused by poorly maintained power tools.
 - **Keep cutting tools sharp and clean.** Properly maintained cutting tools with sharp cutting edges are less likely to bind and are easier to control.
 - **Use the power tool, accessories and tool bits etc. in accordance with these instructions, taking into account the working conditions and the work to be performed.** Use of the power tool for operations different from those intended could result in a hazardous situation.
 - **Keep handles and grasping surfaces dry, clean and free from oil and grease.** Slippery handles and grasping surfaces do not allow for safe handling and control of the tool in unexpected situations.
- ### BATTERY TOOL USE AND CARE
- **Recharge only with the charger specified by the manufacturer.** A charger that is suitable for one type of battery pack may create a risk of fire when used with another battery pack.
 - **Use power tools only with specifically designated battery packs.** Use of any other battery packs may create a risk of injury and fire.

- When battery pack is not in use, keep it away from other metal objects, like paper clips, coins, keys, nails, screws or other small metal objects, that can make a connection from one terminal to another. Shorting the battery terminals together may cause burns or a fire.
- Under abusive conditions, liquid may be ejected from the battery; avoid contact. If contact accidentally occurs, flush with water. If liquid contacts eyes, additionally seek medical help. Liquid ejected from the battery may cause irritation or burns.
- Do not use a battery pack or tool that is damaged or modified. Damaged or modified batteries may exhibit unpredictable behaviour resulting in fire, explosion or risk of injury.
- Do not expose a battery pack or tool to fire or excessive temperature. Exposure to fire or temperature above 130°C (265°F) may cause explosion.
- Follow all charging instructions and do not charge the battery pack or tool outside the temperature range specified in the instructions. Charging improperly or at temperatures outside the specified range may damage the battery and increase the risk of fire.

SERVICE

- Have your power tool serviced by a qualified repair person using only identical replacement parts. This will ensure that the safety of the power tool is maintained.
- Never service damaged battery packs. Service of battery packs should only be performed by the manufacturer or authorised service providers.

SPECIFIC SAFETY RULES FOR CONCRETE SAWS

- Use only diamond cut-off blades for your power tool. Just because an accessory can be attached to your power tool, it does not assure safe operation.
 - The rated speed of the accessory must be at least equal to the maximum speed marked on the power tool. Accessories running faster than their rated speed can break and fly apart.
 - Blades must be used only for recommended applications.
 - Always use undamaged blade flanges that are of the same diameter as the supplied flange. Proper blade flanges support the blade thus reducing the possibility of blade breakage.
 - The outside diameter of your blade must be within the capacity rating of your power tool. Incorrectly sized blades cannot be adequately guarded or controlled.
 - The arbour size of blades and flanges must properly fit the spindle of the power tool. Blades and flanges with arbour holes that do not match the mounting hardware of the power tool will run out of balance, vibrate excessively and may cause loss of control.
 - Do not use damaged blades. Before each use, inspect the blades for chips and cracks. If power tool or blade is dropped, inspect for damage or install an undamaged blade. After inspecting and installing the blade, position yourself and bystanders away from the plane of the rotating blade and run the power tool at maximum no load speed for one minute. Damaged blades will normally break apart during this test time.
 - Wear personal protective equipment. Depending on application, use face shield, safety goggles or safety glasses. As appropriate, wear dust mask, hearing protectors, protective footwear, gloves, and shop apron capable of stopping small abrasive or workpiece fragments. The eye protection must be capable of stopping flying debris generated by various operations. The dust mask or respirator must be capable of filtering particles generated by your operation. Prolonged exposure to high intensity noise may cause hearing loss.
 - Keep bystanders a safe distance away from work area. Anyone entering the work area must wear personal protective equipment.
 - Do not operate tool where the cutting accessory may contact hidden wiring. Cutting accessory contacting a "live" wire may make exposed metal parts of the power tool "live" and could give the operator an electric shock.
 - Position the dust collection system clear of the spinning accessory. If you lose control, the cord may be cut or snagged and your hand or arm may be pulled into the spinning blade.
 - Regularly clean the power tool's air vents. The motor's fan will draw the dust inside the housing and excessive accumulation of dust may reduce performance.
- Kickback and related warnings**
- Kickback is a sudden reaction to a pinched or snagged rotating blade. Pinching or snagging causes rapid stalling of the rotating blade which in turn causes the uncontrolled power tool to be forced in the direction opposite of the blade's rotation at the point of the binding.
- For example, if a blade is snagged or pinched by the workpiece, the edge of the blade that is entering into the pinch point can dig into the surface of the material causing the blade to climb out or kick out. The blade may either jump toward or away from the operator, depending on direction of the blade's movement at the point of pinching. Blades may also break under these conditions.
- Kickback is the result of power tool misuse and/or incorrect operating procedures or conditions and can be avoided by taking proper precautions as given below.
- Maintain a firm grip on the power tool and position your body and arm to allow you to resist kickback forces. Always use auxiliary handle, if provided, for maximum control over kickback or torque reaction during start-up. The operator can control torque reactions or kickback forces, if proper precautions are taken.
 - Never place your hand or body near the rotating accessory. Accessory may kickback over your hand.
 - Do not attach a segmented diamond blade with a peripheral gap greater than 10 mm or toothed saw blade. Such blades create frequent kickback and loss of control.
 - All displacement of the machine outside the cutting area shall be carried out with the tool not in rotation. Allow the blade to stop before setting the machine to the tilt position.
 - Do not restart the cutting operation in the workpiece. Let the blade reach full speed and carefully re-enter the cut. The blade may bind, walk up or kickback if the power tool is restarted in the workpiece.

SYMBOLOLOGY

- Do not operate machine with battery locked in place. Only lock for storage.
- Chemical Burn Hazard. Keep coin cell battery away from children.

⚠WARNING To reduce the risk of injury, when working in dusty situations, wear appropriate respiratory protection or use a suitable dust extraction solution.

- Always use common sense and be cautious when using tools. It is not possible to anticipate every situation that could result in a dangerous outcome. Do not use this tool if you do not understand these operating instructions or you feel the work is beyond your capability; contact MILWAUKEE® Tool or a trained professional for additional information or training.

- Maintain labels and nameplates. These carry important information. If unreadable or missing, contact a MILWAUKEE® service facility for a replacement.

⚠WARNING Some dust created by power sanding, sawing, grinding, drilling, and other construction activities contains chemicals known to cause cancer, birth defects or other reproductive harm. Some examples of these chemicals are:

- lead from lead-based paint
- crystalline silica from bricks and cement and other masonry products, and
- arsenic and chromium from chemically-treated lumber.

Your risk from these exposures varies, depending on how often you do this type of work. To reduce your exposure to these chemicals: work in a well ventilated area, and work with approved safety equipment, such as those dust masks that are specially designed to filter out microscopic particles.

ADDITIONAL BATTERY SAFETY RULES






⚠WARNING To reduce the risk of fire, personal injury, and product damage due to a short circuit, never immerse your tool, battery pack or charger in fluid or allow a fluid to flow inside them. Corrosive or conductive fluids, such as seawater, certain industrial chemicals, and bleach or bleach-containing products, etc., can cause a short circuit.

⚠WARNING Do not charge non-rechargeable batteries.

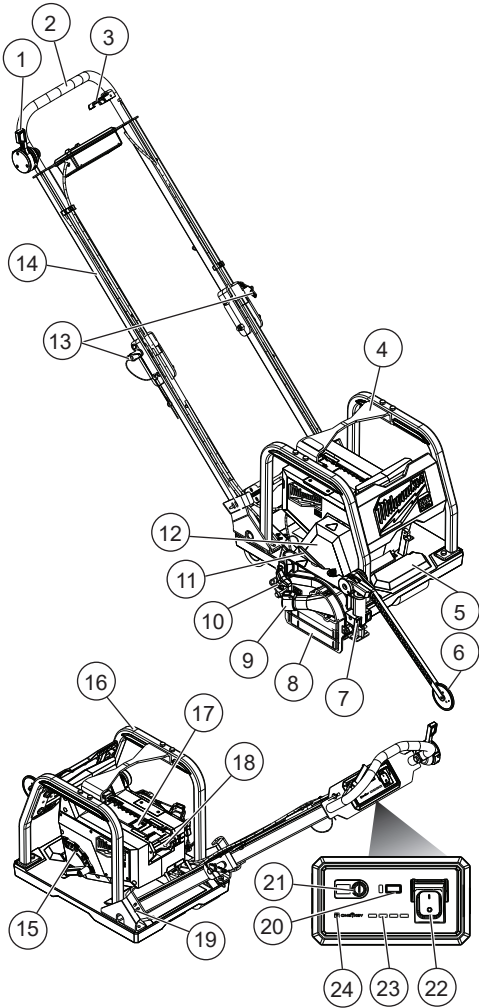
SPECIFICATIONS

Cat. No.	MXF EES
Battery Type	MX FUEL™
Charger Type	MX FUEL™
RPM	Low 0 - 3000 High 0 - 5000
Blade Size	150 mm (6")
Blade Type	Dry cut with tri-arbor (Diamond)
Maximum Cutting Depth	38 mm (1.5")
Lifting weight	38.6 kg *
Recommended Ambient	
Operating Temperature	-17°C to 51°C

* Lifting weight includes the weight of the tool and heaviest expected accessories. Always add in the weight of the battery pack if installed during lift.

	Volts
	Direct Current
n_0 XXXX min ⁻¹	No Load Revolutions per Minute (RPM)
	Risk of Electric Shock
	Safety Alert Symbol
	Read Operator's Manual
	Wear eye, ear, and respiratory protection.
	All displacement of the machine outside the cutting area shall be carried out with the tool not in rotation.
	Pinch point. Keep body parts away during set up/collapsing.
	Keep body parts away from moving parts.
	Keep all body parts away from the cutting blade.
	Use central lift point.
	Do not lift with forks.
	Do not lift with an excavator bucket.
	Lifting weight.*
	Regulatory Compliance Mark (RCM). This product meets applicable regulatory requirements.
	Do not dispose of electric tools together with household waste material. Electric tools and electronic equipment that have reached the end of their life must be collected separately and returned to an environmentally compatible recycling facility.

FUNCTIONAL DESCRIPTION



- | | |
|------------------------------|------------------------------------|
| 1. Guide arm lever | 14. Handle |
| 2. Handlebar | 15. Blade depth adjustment |
| 3. Transport latch lever | 16. Roll cage |
| 4. Lift plate | 17. Internal battery door |
| 5. Transport latch | 18. Battery lock |
| 6. Guide arm | 19. Handle height adjustment latch |
| 7. Work light | 20. Low speed button |
| 8. Blade block | 21. Arm button |
| 9. Dust extractor connection | 22. Power switch |
| 10. Blade block knob | 23. Fuel gauge |
| 11. Wrench storage | 24. ONE-KEY™ indicator |
| 12. Belt | |
| 13. Locking pins | |

ASSEMBLY

⚠WARNING Recharge only with the charger specified for the battery. For specific charging instructions, read the operator's manual supplied with your charger and battery.

Inserting/Removing the Battery

To insert the battery, slide the pack into the body of the tool. Make sure it latches securely into place. To remove the battery, push the battery latch lock to the side and squeeze the battery latch lever and pull the battery pack away from the tool.

⚠WARNING Always remove battery pack before changing or removing accessories. Only use accessories specifically recommended for this tool. Others may be hazardous.

Fuel Gauge

When the machine is armed, the fuel gauge displays the battery pack's remaining run time. The fuel gauge mirrors the fuel gauge on the battery pack. When less than 10% of charge is left, 1 light on the fuel gauge will flash. When the battery reaches 0% charge, the fuel gauge will flash 8 times. Charge the battery pack.

10-32%

32-55%

55-77%

77-100%

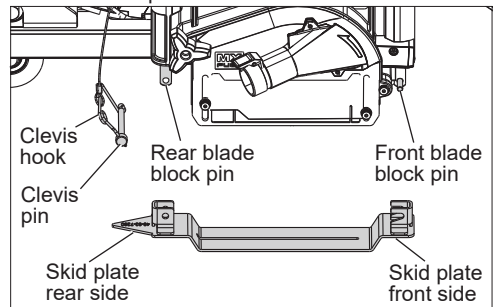
Less than 10% if first light flashes 4 times

Installing/Removing the Skid Plate

⚠NOTICE Always replace the skid plate when installing a new blade. Do not use a damaged skid plate. A damaged skid plate may leave marks in the concrete, degrading the quality of the cut.

To install the skid plate:

1. Remove the battery pack.
2. Push the handlebar down to set the machine in the tilt position.
3. Latch the front side of the skid plate onto the front blade block pin.



4. Line the rear side of the skid plate with the hole in the rear blade block pin. Push the clevis pin through the skid plate and rear blade block pin. Clasp the clevis hook onto the clevis pin to secure the skid plate onto the machine.
5. Lift the skid plate to make sure the blade moves freely through the skid plate.

To **remove** the skid plate:

1. Remove the battery pack.
2. Unclasp the clevis hook from the clevis pin. Remove the clevis pin from the skid plate.
3. Push the front side of the skid plate away from the front blade block pin to remove the skid plate from the machine.

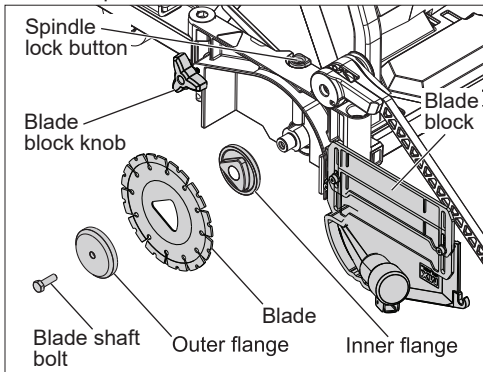
Installing/Removing the Blade

⚠WARNING Examine the blade for damage or wear. If the blade shows damage or wear, discard the blade. A worn or damaged blade can cause injury.

Replace the blade when it becomes dull or chipped. A blade is dull when the blade edge appears rounded or damaged.

To **install** the blade:

1. Remove the battery pack.
2. Push the handlebar down to set the machine in the tilt position.
3. Loosen the blade block knob. Once loosened, rotate the blade block upwards.
4. Remove the clevis pin to loosen the skid plate. Remove skid plate from the machine.
5. Hold down the spindle lock button. Using the wrench provided, loosen the blade shaft bolt.



6. Remove the blade shaft bolt and outer flange.
7. Place the blade tightly against the inner flange. **NOTE:** The direction of the blade can be found on the decal above the blade block.
8. Place the outer flange tightly against the blade.
9. Place the blade shaft bolt through the outer flange, blade, and inner flange. Hold down the spindle lock button and tighten the bolt clockwise with a wrench.
10. Reinstall the skid plate using the clevis pin.
11. Rotate the blade block back down. Tighten the blade block knob to resecure the blade block.

To **remove** the blade:

⚠CAUTION Blade may be HOT. Allow to cool before contacting.

1. Remove the battery pack.
2. Push the handlebar down to set the machine in the tilt position.
3. Loosen the blade block knob. Once loosened, rotate the blade block upwards.
4. Remove the clevis pin to loosen the skid plate. Remove skid plate from the machine.
5. Hold down the spindle lock button. Using the wrench provided, loosen the blade shaft bolt.
6. Remove the blade shaft bolt and outer flange, then remove the blade from the blade shaft.

Folding/Unfolding the Handle

⚠CAUTION Pinch hazard. Keep body parts away from hinges during folding and unfolding of the handle.

To **fold** the handle down:

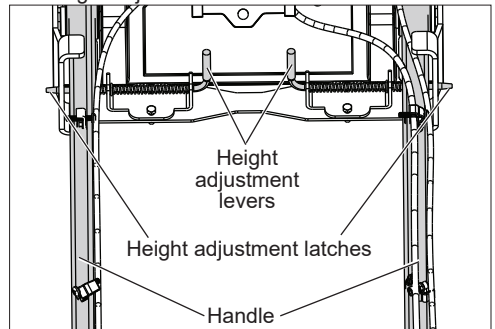
1. Press the button at the top of the locking pins and pull the locking pins out of the handle.
2. Fold the handle down, towards the roll cage.
3. Hold the button at the top of the locking pins and push the pins back into the handle.

To **unfold** the handle:

1. Press the button at the top of the locking pins and pull the locking pins out of the handle.
2. Unfold the handle, pulling it up and away from the base of the machine.
3. Hold the button at the top of the locking pins and push the pins back into the handle.

Adjusting Handle Height

The handle can be adjusted to one of two heights in the unfolded position. To adjust the handle height, pull and hold the two adjustment levers in towards each other, then push the handle up or down to the desired position. Release the adjustment levers and make sure they are pinned securely into one of the two height adjustment latches.



Hoisting with a Device

WARNING Do not lift with forks. Do not lift with an excavator bucket. Only hoist machine with lifting gear rated for the application. Remove the battery pack and fold the handle down. To hoist the machine, use the lift plate as the anchor point. Ensure the hoisting strap will not slip or contact other parts.

Lifting with Roll Cage

WARNING Use multiple people whenever it is necessary to lift or carry the machine. Machine is heavy. Lift with legs, not back.



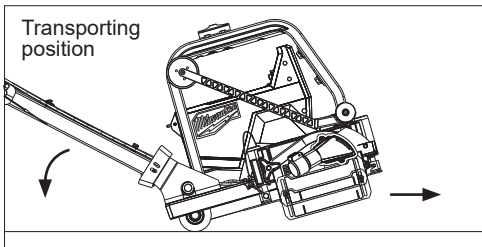
Always remove the battery pack from the machine before transporting. Always fold the handle before transporting. Always clear the area of obstructions before transporting.

To lift, use the roll cage on each side of the machine and lift with two hands. Always maintain a firm footing. **NOTE:** Attach the skid plate to prevent damage to the front and rear shaft while transporting.

Transporting

WARNING All displacement of the machine outside the cutting area shall be carried out with the tool not in rotation.

To roll the machine from place to place, grasp the handle and tilt the machine back onto the wheels. Push, don't pull, the machine.



Transporting with a Vehicle

Remove the battery pack and fold the handle down. Strap the machine down to secure it to the vehicle. The straps should be placed through the roll cage, either front to back of the machine and/or side to side of the machine.

ONE-KEY™

To learn more about the ONE-KEY™ functionality for this machine, go to <https://www.milwaukeekeetool.com.au/innovation/one-key/>

To download the ONE-KEY™ app, visit the App Store® or Google Play™ from your smart device.

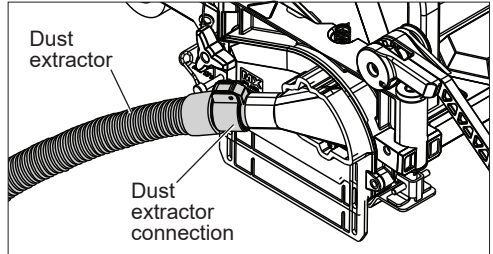
ONE-KEY™ Indicator	
Solid Blue	Wireless mode is active and ready to be configured via the ONE-KEY™ app.
Blinking Blue	Machine is actively communicating with the ONE-KEY™ app.
Blinking Red	Machine is in security lockout and can be unlocked by the owner via the ONE-KEY™ app.

OPERATION

WARNING To reduce the risk of injury, always wear proper eye protection marked to comply with AS/NZS 1337.1. When working in dusty situations, wear appropriate respiratory protection or use a suitable dust extraction solution.

For Use with the Dust Extractor

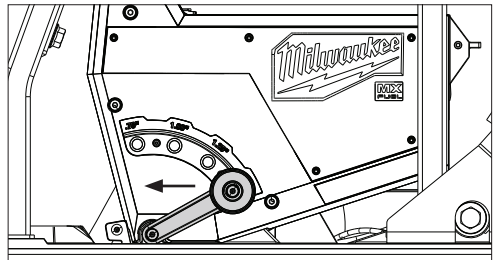
Use the dust extractor connection to plug a dust extractor to the machine. For dust extractor assembly and operation, refer to your dust extractor manual. Keep the dust extractor connection closed when not using a dust extractor.



Setting the Blade Depth Adjustment

Before setting the blade depth adjustment, put the machine in transporting position.

To set the blade depth adjustment, pull the blade depth adjustment knob away from the machine and move it to the desired setting.



Arming the Machine

The MX FUEL™ machines must be armed prior to use. Even with the battery pack inserted, the trigger and machine functions will not operate until the machine is armed.

To arm the machine:

1. Insert the battery pack.
2. Press the Arm button. The MX FUEL™ icon will light. The trigger will become armed in 2 seconds.
3. After 15 minutes of inactivity, the machine will enter sleep mode. The MX FUEL™ icon will go off and the trigger and LEDs are non-operational.
4. Press and hold the Arm button for 1 second to reactivate the machine.
5. Press and hold the ARM button for 1 second to unarm (turn off) the machine. The MX FUEL™ icon will go off.

NOTE: The machine can be armed while the power switch is in the on position. However, the machine cannot be operated until the power switch is flipped off and back on again.

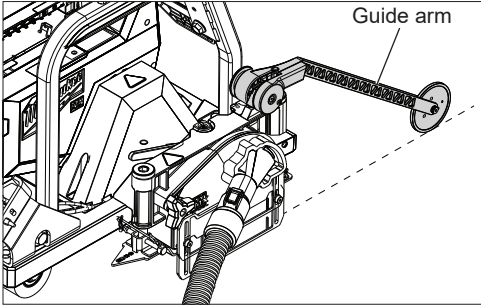
Operating the Machine

WARNING Blade is sharp. Keep hands away from all cutting edges. Laceration and amputation can occur.

Wear appropriate respiratory protection or use a suitable dust extraction solution.

Before operating the machine, ensure the blade block is installed and that the clear cover moves freely. Ensure that a skid plate is installed, the belt guard is in place, and when working in dusty situations, connect the dust extractor to the machine.

1. Insert the battery pack.
2. Arm the machine.
3. Use the guide arm lever to lower and align the guide arm to the cutting surface.



4. Use the power switch to turn the machine on.
5. Pull the transport latch lever to slowly lower the blade into the concrete.
6. Push the machine forward to keep the guide arm in the cut line. Do not use more force than necessary to push the machine forward.

NOTE: The blade speed will automatically be set to full speed when the machine is armed. If a new blade has been installed, use the machine at low speed for the first 15 m (50') by pressing the low speed button.

7. When near a wall, lift the guide arm up by pulling the guide arm lever up.
8. Toggle the power switch to the off position. Press and hold the ARM button for 1 second to turn off the machine.
9. When the operation is complete, tilt the machine rearward to place the machine in the transporting position.
10. Clean the machine after each use. For instructions, see the "Cleaning" section of this manual.

MAINTENANCE

WARNING To reduce the risk of injury, always unplug the charger and remove the battery pack from the charger or machine before performing any maintenance. Never disassemble the battery pack, charger, or machine, except as provided in these instructions. Contact a MILWAUKEE® service facility for all other repairs.

Maintaining Machine

Keep your machine, battery pack and charger in good repair by adopting a regular maintenance program. Inspect your machine for issues such as undue noise, misalignment or binding of moving parts, breakage of parts, or any other condition that may affect the machine operation. Return the machine, battery pack, and charger to a MILWAUKEE® service facility for repair.

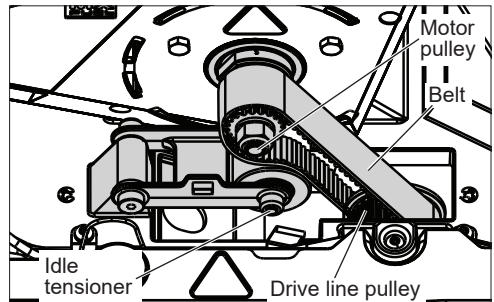
If the machine does not start or operate at full power with a fully charged battery pack, clean the contacts on the battery pack. If the machine still does not work properly, return the machine, charger and battery pack, to a MILWAUKEE® service facility for repairs.

Installing/Removing the Belt

Replace the belt when it becomes damaged or worn. The belt should be replaced every two years, at minimum. Do not use the machine if the belt is damaged. The idle tensioner controls the belt tension. It is not necessary to adjust the belt tension. Make sure that the idle tensioner moves freely up and down.

To **replace** the belt:

1. Remove the battery pack.
2. Remove the blade from the machine by following the "Installing/Removing the Blade" instructions in this manual.
3. Loosen the two belt guard screws using a T-25 screwdriver. Remove the belt guard from the machine.
4. Press down on the idle tensioner to loosen the belt. Pull the belt off of the motor pulley and away from the machine.



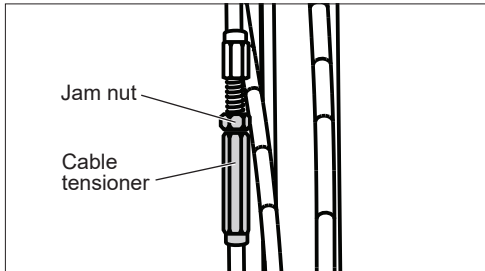
5. Place a new belt onto the drive line pulley. This is best done by going underneath the machine. Once on the drive line pulley, press down on the idle tensioner and thread the belt onto the motor pulley. Keep threading the belt until it is fully in place and aligned with the motor pulley.
6. Reinstall the belt guard onto the machine. Tighten the two belt guard screws securely.

Cable Tensioning

Over time, the cables for the guide arm lever and transport latch lever may loosen. This may result in a more difficult time using the guide arm and transport latch.

To tighten the cable tensioning:

1. Remove the battery pack.
2. Hand tighten the cable tensioner until it is taut.
3. Hand tighten the jam nut until it meets the cable tensioner.



Lubricating the Blade Block Pins

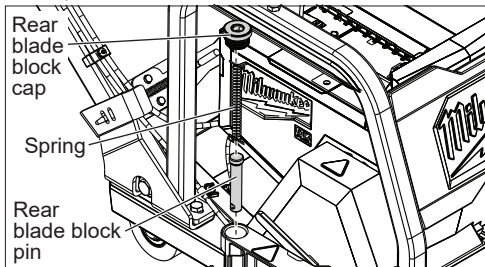
The blade block pins should be lubricated at least once every two years.

To lubricate the **rear blade block pin**:

1. Remove the battery pack.
2. Remove the skid plate.
3. Remove the rear blade block cap.

⚠WARNING The blade block cap is spring-loaded. Wear safety glasses.

4. Remove the spring underneath the cap.
5. Push the bottom of the rear blade block pin upwards, through the top of the blade block. Grab the pin and remove it from the blade block.

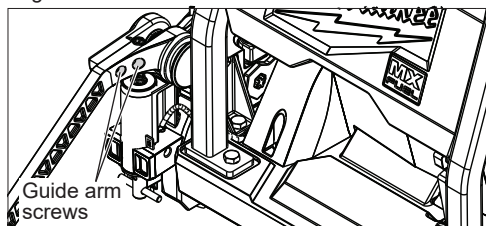


6. Lubricate the pin using grease.
7. Place the pin back in the blade block, pushing it through so that it is visible underneath the blade block.
8. Place the spring back on the pin, and the cap back over the spring. Screw the cap back onto the blade block.

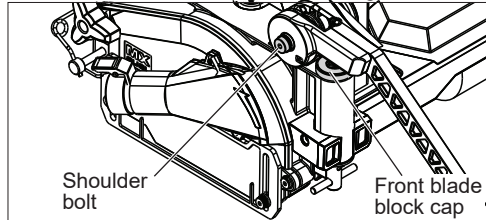
To lubricate the **front blade block pin**:

1. Remove the battery pack.
2. Remove the skid plate.
3. Remove the blade from the machine.

4. Loosen the two screws on the back side of the guide arm.



5. Remove the shoulder bolt from the guide arm.

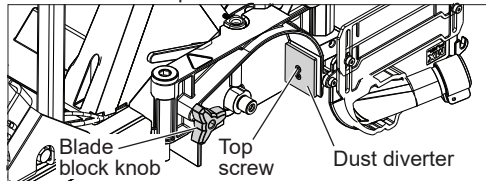


6. Tilt the guide arm upwards, so that the front blade block cap is visible.

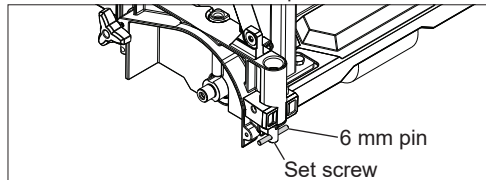
7. Remove the front blade block cap.

⚠WARNING The blade block cap is spring-loaded. Wear safety glasses.

8. Remove the spring underneath the cap.
9. Loosen the blade block knob. Once loosened, rotate the blade block upwards.
10. Remove the top screw shown below.



11. Remove the dust diverter from the machine.
12. Remove the set screw at the bottom. Once removed, remove the 6 mm pin.



13. Push the bottom of the front blade block pin upwards, through the top of the blade block. Grab the pin and remove it from the blade block.
14. Lubricate the pin using grease.
15. Place the pin back in the blade block.
16. Reinstall the 6 mm pin, and then reinstall the dust diverter.
17. Place the blade block back down, and then tighten the blade block knob.
18. Place the spring back on the pin, and the cap back over the spring. Screw the cap back onto the blade block.
19. Retighten the guide arm.

ONE-KEY™

⚠WARNING

Chemical Burn Hazard. This device contains a lithium button/coin cell battery. A new or used battery can cause severe internal burns and lead to death in as little as 2 hours if swallowed or enters the body. Always secure the battery cover. If it does not close securely, stop using the device, remove the batteries, and keep it away from children. If you think batteries may have been swallowed or entered the body, seek immediate medical attention.



ACCESSORIES

⚠WARNING

Use only recommended accessories. Others may be hazardous.

For a complete listing of accessories, go online to milwaukeeetool.com.au / milwaukeeetool.co.nz or contact a distributor.

Internal Coin Cell Battery

An internal coin cell battery is used to facilitate full ONE-KEY™ functionality.

To replace the coin cell battery:

1. Remove the battery pack.
2. Remove the screw(s) and open the coin cell battery door.
3. Remove the old coin cell battery, keep it away from children, and dispose of it properly.
4. Insert the new coin cell battery (3V CR2032), with the positive side facing up.
5. Close the battery door and tighten the screw(s) securely.

Cleaning

⚠WARNING

Avoid getting liquid inside the motor housing, battery compartment or into the trigger. To reduce the risk of personal injury, electric shock and damage, never immerse your machine in liquid or allow a liquid to flow inside it.

NOTICE

Do not allow concrete to harden on the machine. This can cause damage to the machine. Wipe all concrete off the frame and any other parts of the machine.

Remove the battery pack. Allow the motor to cool before cleaning. When the motor has cooled, remove all concrete and debris from the machine. Use only mild soap and a damp cloth to clean, since certain cleaning agents and solvents are harmful to plastics and other insulated parts. Some of these include petrol, turpentine, lacquer thinner, paint thinner, chlorinated cleaning solvents, ammonia and household detergents containing ammonia. Do not spray the machine or battery. Never use flammable or combustible solvents around machines. Keep machine clean, dry and free of oil or grease.

Cleaning the Battery and Battery Bay

Keep battery connections and surfaces between the machine and battery free of debris and materials.

Failure to keep surfaces clean may result in misalignment and/or damage to the battery connection.

Repairs

For repairs, return the machine to the nearest authorised service centre.

WARRANTY - AUSTRALIA and NEW ZEALAND

Please refer to Australian and New Zealand warranty supplied with tool. This warranty applies only to product sold by authorised dealers in Australia and New Zealand.

SERVICE - AUSTRALIA and NEW ZEALAND

MILWAUKEE® prides itself in producing a premium quality product that is Nothing But Heavy Duty™. Your satisfaction with our products is very important to us! If you encounter any problems with the operation of this tool, please contact your authorised **MILWAUKEE®** dealer.

For a list of **MILWAUKEE®** dealers, guarantee or service agents please contact **MILWAUKEE®** Customer Service or visit our website.

(Australia Toll Free Telephone Number 1300 645 928)

(New Zealand Toll Free Telephone Number 0800 645 928)

or visit milwaukeeetool.com.au/milwaukeeetool.co.nz.

Milwaukee Electric Tool Corporation

13135 West Lisbon Road, Brookfield, Wisconsin U.S.A. 53005

Milwaukee Tool (Australia)

26 - 40 Nina Link, Dandenong South,
Victoria, 3175, Australia

Milwaukee Tool (New Zealand)

274 Church Street, Penrose,
Auckland, 1061, New Zealand

DESIGNED BY MILWAUKEE ELECTRIC TOOL CORP.

PROFESSIONALLY MADE IN MEXICO

PRINTED IN MEXICO