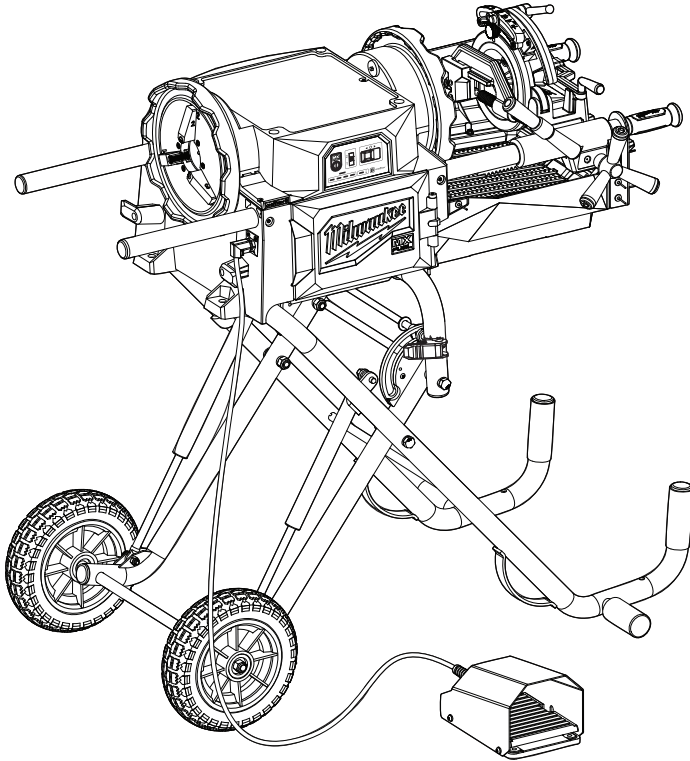





OPERATOR'S MANUAL



Cat. No.
MXF PTR2

MX FUEL™ PIPE THREADING MACHINE W/ ONE-KEY™

 **WARNING**

 To reduce the risk of injury, user must read and understand operator's manual.

GENERAL POWER TOOL SAFETY WARNINGS

WARNING Read all safety warnings, instructions, illustrations and specifications provided with this power tool. Failure to follow all instructions listed below may result in electric shock, fire and/or serious injury. **Save all warnings and instructions for future reference.** The term "power tool" in the warnings refers to your mains-operated (corded) power tool or battery-operated (cordless) power tool.

WORK AREA SAFETY

- **Keep work area clean and well lit.** Cluttered or dark areas invite accidents.
- **Do not operate power tools in explosive atmospheres, such as in the presence of flammable liquids, gases or dust.** Power tools create sparks which may ignite the dust or fumes.
- **Keep children and bystanders away while operating a power tool.** Distractions can cause you to lose control.

ELECTRICAL SAFETY

- **Power tool plugs must match the outlet. Never modify the plug in any way. Do not use any adapter plugs with earthed (grounded) power tools.** Unmodified plugs and matching outlets will reduce risk of electric shock.
- **Avoid body contact with earthed or grounded surfaces, such as pipes, radiators, ranges and refrigerators.** There is an increased risk of electric shock if your body is earthed or grounded.
- **Do not expose power tools to rain or wet conditions.** Water entering a power tool will increase the risk of electric shock.
- **Do not abuse the cord. Never use the cord for carrying, pulling or unplugging the power tool. Keep cord away from heat, oil, sharp edges or moving parts.** Damaged or entangled cords increase the risk of electric shock.
- **When operating a power tool outdoors, use an extension cord suitable for outdoor use.** Use of a cord suitable for outdoor use reduces the risk of electric shock.
- **If operating a power tool in a damp location is unavoidable, use a residual current device (RCD) protected supply.** Use of a RCD reduces the risk of electric shock.

PERSONAL SAFETY

- **Stay alert, watch what you are doing and use common sense when operating a power tool. Do not use a power tool while you are tired or under the influence of drugs, alcohol or medication.** A moment of inattention while operating power tools may result in serious personal injury.
- **Use personal protective equipment. Always wear eye protection.** Protective equipment such as a dust mask, non-skid safety shoes, hard hat or hearing protection used for appropriate conditions will reduce personal injuries.
- **Prevent unintentional starting. Ensure the switch is in the off-position before connecting to power source and/or battery pack, picking up or carrying the tool.** Carrying power tools with your finger on the switch or energising power tools that have the switch on invites accidents.

- **Remove any adjusting key or wrench before turning the power tool on.** A wrench or a key left attached to a rotating part of the power tool may result in personal injury.
- **Do not overreach. Keep proper footing and balance at all times.** This enables better control of the power tool in unexpected situations.
- **Dress properly. Do not wear loose clothing or jewellery. Keep your hair and clothing away from moving parts.** Loose clothes, jewellery or long hair can be caught in moving parts.
- **If devices are provided for the connection of dust extraction and collection facilities, ensure these are connected and properly used.** Use of dust collection can reduce dust-related hazards.
- **Do not let familiarity gained from frequent use of tools allow you to become complacent and ignore tool safety principles.** A careless action can cause severe injury within a fraction of a second.

POWER TOOL USE AND CARE

- **Do not force the power tool. Use the correct power tool for your application.** The correct power tool will do the job better and safer at the rate for which it was designed.
- **Do not use the power tool if the switch does not turn it on and off.** Any power tool that cannot be controlled with the switch is dangerous and must be repaired.
- **Disconnect the plug from the power source and/or remove the battery pack, if detachable, from the power tool before making any adjustments, changing accessories, or storing power tools.** Such preventive safety measures reduce the risk of starting the power tool accidentally.
- **Store idle power tools out of the reach of children and do not allow persons unfamiliar with the power tool or these instructions to operate the power tool.** Power tools are dangerous in the hands of untrained users.
- **Maintain power tools and accessories. Check for misalignment or binding of moving parts, breakage of parts and any other condition that may affect the power tool's operation. If damaged, have the power tool repaired before use.** Many accidents are caused by poorly maintained power tools.
- **Keep cutting tools sharp and clean.** Properly maintained cutting tools with sharp cutting edges are less likely to bind and are easier to control.
- **Use the power tool, accessories and tool bits etc. in accordance with these instructions, taking into account the working conditions and the work to be performed.** Use of the power tool for operations different from those intended could result in a hazardous situation.
- **Keep handles and grasping surfaces dry, clean and free from oil and grease.** Slippery handles and grasping surfaces do not allow for safe handling and control of the tool in unexpected situations.

BATTERY TOOL USE AND CARE

- **Recharge only with the charger specified by the manufacturer.** A charger that is suitable for one type of battery pack may create a risk of fire when used with another battery pack.
- **Use power tools only with specifically designated battery packs.** Use of any other battery packs may create a risk of injury and fire.

- When battery pack is not in use, keep it away from other metal objects, like paper clips, coins, keys, nails, screws or other small metal objects, that can make a connection from one terminal to another. Shorting the battery terminals together may cause burns or a fire.
- Under abusive conditions, liquid may be ejected from the battery; avoid contact. If contact accidentally occurs, flush with water. If liquid contacts eyes, additionally seek medical help. Liquid ejected from the battery may cause irritation or burns.
- Do not use a battery pack or tool that is damaged or modified. Damaged or modified batteries may exhibit unpredictable behaviour resulting in fire, explosion or risk of injury.
- Do not expose a battery pack or tool to fire or excessive temperature. Exposure to fire or temperature above 130°C (265°F) may cause explosion.
- Follow all charging instructions and do not charge the battery pack or tool outside the temperature range specified in the instructions. Charging improperly or at temperatures outside the specified range may damage the battery and increase the risk of fire.

SERVICE

- Have your power tool serviced by a qualified repair person using only identical replacement parts. This will ensure that the safety of the power tool is maintained.
- Never service damaged battery packs. Service of battery packs should only be performed by the manufacturer or authorised service providers.

SPECIFIC SAFETY RULES FOR PIPE THREADER

- Keep floor dry and free of slippery materials such as oil. Slippery floors invite accidents.
- Restrict access or barricade the area from bystanders when the workpiece extends beyond the machine to provide a minimum of three feet (one metre) clearance from the workpiece. Restricting access or barricading the work area around the workpiece will reduce the risk of entanglement.
- Do not wear gloves. Gloves may be entangled by the rotating pipe or machine parts leading to personal injury.
- Do not use the machine for other purposes such as drilling holes or turning winches. Other uses or modifying this machine for other applications may increase the risk of serious injury.
- Secure the machine to a bench or stand. Support long heavy pipe with pipe supports. This practice will prevent the machine from tipping.
- While operating the machine, stand on the side where the operator control switch is located. Operating the machine from this side eliminates need to reach over the machine.
- Keep hands away from rotating pipe and fittings. Stop the machine before wiping pipe threads or screwing on fittings. Allow the machine to come to a complete stop before touching the pipe. This practice will reduce the risk of entanglement in rotating parts.
- Do not use this machine to install or remove fittings. This practice could lead to trapping, entanglement and loss of control.
- Do not operate the machine without all covers properly installed. Exposing moving parts increases

the probability of entanglement.

- Do not use this machine if the foot switch is broken or missing. The foot switch provides safe control of the machine, such as emergency shutoff in case of entanglement.
- Before each use, inspect the pipe threader for any broken, worn, missing, misaligned or binding parts or other damage. Confirm that the foot switch is attached and operating properly. Such preventive measures reduce the risk of serious injury from electric shock, crushing and helps prevent pipe threader damage.
- Never reach into the machine from front or rear chuck, this will reduce the risk of entanglement.
- Only one person must control the work process, tool operation, and foot switch. Additional people involved in the process may result in unintended operation and personal injury.
- Keep sleeves and jackets buttoned while operating the tool. Do not reach across the tool or pipe. Clothing can be caught by the pipe or the tool resulting in entanglement.
- Never run the machine without thread cutting oil. Parts may become hot and cause machine to overheat.
- Do not use dies that are showing signs of wear, dull, or damaged. Sharp cutting tools require less torque and the tool is easier to control.
- Only use MILWAUKEE® or equivalent die heads. Other die heads may not fit correctly in the tool increasing the risk of equipment damage and personal injury.
- Do not use cart to transport other loads or add additional accessories.
- Fingers can be pinched between the legs of the cart. To reduce the risk of injury while setting up/collapsing, keep fingers out of areas where the legs are secure in place.
- Chemical Burn Hazard. Keep coin cell battery away from children.

▲WARNING To reduce the risk of injury, when working in dusty situations, wear appropriate respiratory protection or use a suitable dust extraction solution.

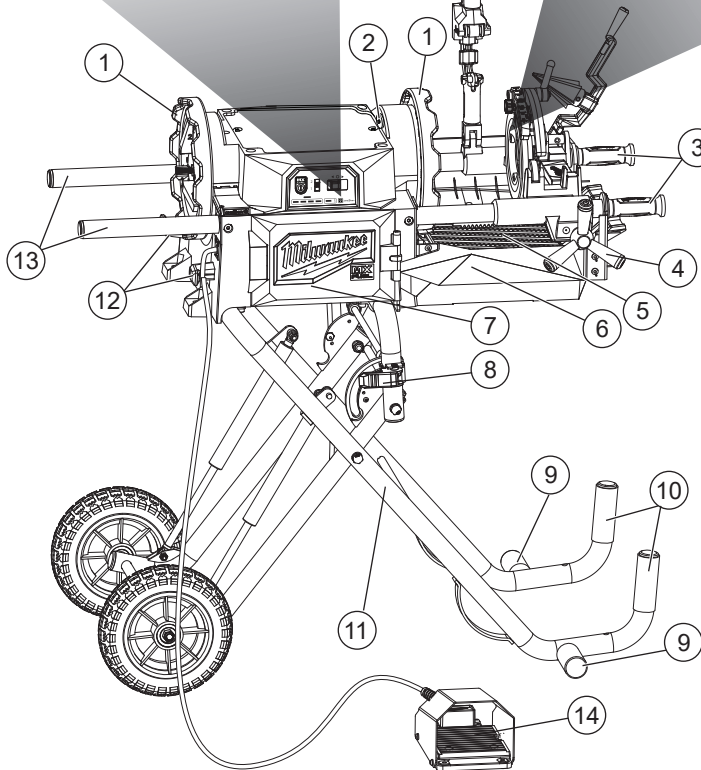
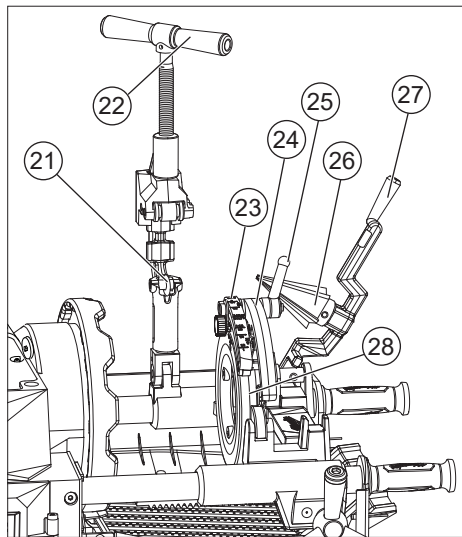
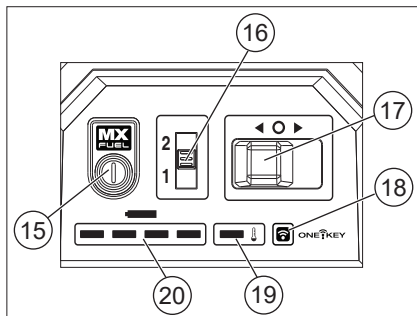
- Always use common sense and be cautious when using tools. It is not possible to anticipate every situation that could result in a dangerous outcome. Do not use this tool if you do not understand these operating instructions or you feel the work is beyond your capability; contact MILWAUKEE® Tool or a trained professional for additional information or training.
- Maintain labels and nameplates. These carry important information. If unreadable or missing, contact a MILWAUKEE® service facility for a replacement.

▲WARNING Some dust created by power sanding, sawing, grinding, drilling, and other construction activities contains chemicals known to cause cancer, birth defects or other reproductive harm. Some examples of these chemicals are:

- lead from lead-based paint
- crystalline silica from bricks and cement and other masonry products, and
- arsenic and chromium from chemically-treated lumber. Your risk from these exposures varies, depending on how often you do this type of work. To reduce your exposure to these chemicals: work in a well ventilated area, and work with approved safety equipment, such as those dust masks that are specially designed to filter out microscopic particles.

FUNCTIONAL DESCRIPTION

1. Hammer chucks
2. Foot switch holder
3. Accessory carriage handles
4. Carriage assembly adjuster
5. Debris tray
6. Oil reservoir
7. Battery bay
8. Cart latch
9. Cross bar












10. Cart handles
11. Cart
12. Cord holders
13. Accessory arms
14. Foot switch
15. Arm button
16. Speed control
17. Direction control
18. ONE-KEY™ indicator
19. Overtemperature indicator light
20. Fuel gauge
21. Cutting wheel
22. Cutting wheel tightening handle
23. Pipe scale
24. Die release lever
25. Clamp lever
26. Reamer
27. Reamer handle
28. Die head

ADDITIONAL BATTERY SAFETY RULES

⚠WARNING To reduce the risk of fire, personal injury, and product damage due to a short circuit, never immerse your tool, battery pack or charger in fluid or allow a fluid to flow inside them. Corrosive or conductive fluids, such as seawater, certain industrial chemicals, and bleach or bleach-containing products, etc., can cause a short circuit.

⚠WARNING Do not charge non-rechargeable batteries.

SYMBOLOLOGY

-  Volts
-  Direct Current
-  Risk of Electric Shock
-  Read Operator's Manual
-  Always wear eye protection
-  Keep hands and clothing away from moving parts
-  Do not wear gloves
-  Two-person lift
-  Regulatory Compliance Mark (RCM). This product meets applicable regulatory requirements.

Do not dispose of electric tools together with household waste material. Electric tools and electronic equipment that have reached the end of their life must be collected separately and returned to an environmentally compatible recycling facility.



SPECIFICATIONS

Cat. No.	MXF PTR2
Battery Type	MX FUEL™
Charger Type	MX FUEL™
RPM	39 / 59
Threading Capacity	3 mm - 50 mm (1/8" - 2")
Pipe Capacity Speed 1	50 mm (2") max
Pipe Capacity Speed 2	50 mm (2") max
Compatible Dies	3 mm - 9.5 mm (1/8" - 3/8") 13 mm - 19 mm (1/2" - 3/4") 25 mm - 50 mm (1" - 2")
Oil Capacity	3.7 L (1 Gal)
Lifting Weight	115 kg (254 lbs)
Recommended Ambient Operating Temperature	-17°C to 51°C (0°F to 125° F)

* Lifting weight includes the weight of the tool, heaviest expected accessories, and oil. Always add in the weight of the battery pack if installed during lift.

ASSEMBLY

⚠WARNING Recharge only with the charger specified for the battery. For specific charging instructions, read the operator's manual supplied with your charger and battery.

Inserting/ Removing the Battery

To **insert** the battery, slide the pack into the body of the machine. Make sure it latches securely into place.

To **remove** the battery, push the battery latch lock to the side and squeeze the battery latch lever. Pull the battery pack away from the machine.

⚠WARNING Always remove battery pack before changing or removing accessories.

⚠WARNING Only use accessories specifically recommended for this machine. Others may be hazardous.

Do not use this machine if the foot switch is broken or missing. The foot switch provides safe control of the machine, such as emergency shutoff in case of entanglement.

Fingers can be pinched between the legs of the cart. To reduce the risk of injury while setting up/ collapsing, keep fingers out of areas where the legs are secure in place.

Fuel Gauge

When the machine is armed, the Fuel Gauge displays the battery pack's remaining run time. The fuel gauge mirrors the fuel gauge on the battery pack. When less than 10% of charge is left, 1 light on the fuel gauge will flash. When the battery reaches 0% charge, the fuel gauge will flash 8 times. Charge the battery pack.

10-32%

32-55%

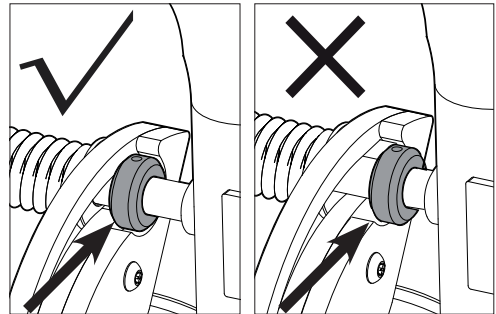
55-77%

77-100%

Less than 10% if first light flashes 4 times

Setting Up/Collapsing Cart

1. Make sure area is dry, stable and level to support pipe threader.
2. Remove battery pack.
3. To **set up** cart, gently put the cart down and open the cart latch.

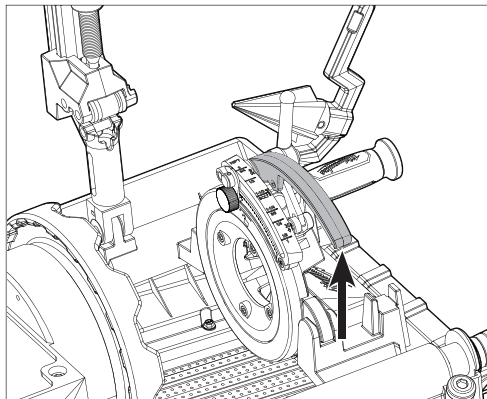


4. Pull up on the accessory carriage handles while placing one foot on the cross bar of the cart until the locking pin is in place as shown above.
5. Empty debris tray prior to collapsing/transporting cart.
6. Before collapsing cart, remove the battery pack.
7. Make sure the cutting wheel, die head, and reamer are in place on the assembly carriage.

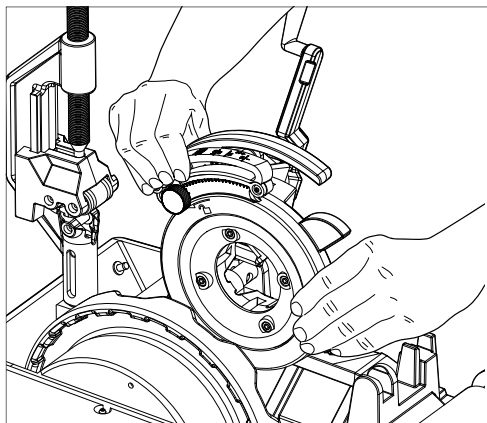
8. Wrap the foot switch cord around the cord holders and place the foot switch on top sliding into foot switch holder.
9. To **collapse** cart, pull to release the cart latch and push down on the accessory carriage handles until the locking pin is all the way down.

Removing/Installing Die Head

1. Remove battery pack.
2. To **remove**, push the reamer and cutting wheel to open position.
3. Lift the die release lever up to open position.



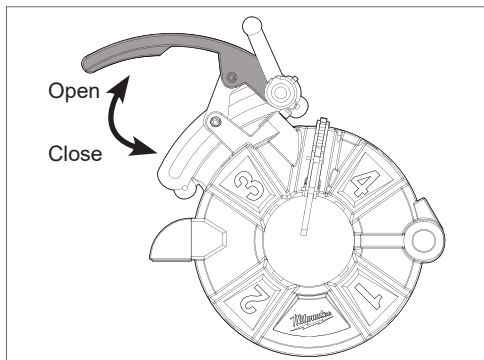
4. Pull out the die head post toward the side of the hammer chucks until the post is completely removed.



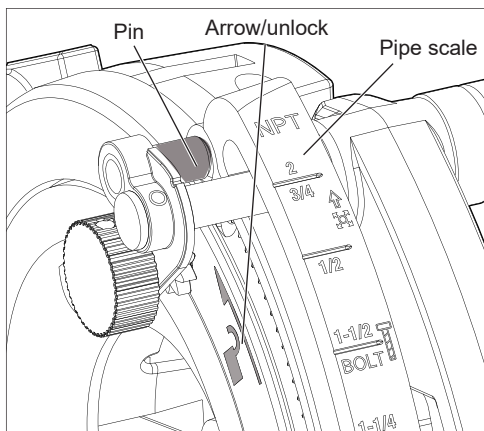
5. To **install**, push the die head post into the slot until the post is not visible.

Removing/Installing Dies

1. Remove battery pack.
2. Remove the die head. Clean the cutting chips off the dies with a wire brush before removing from the die head.



3. To **remove** dies, place the die head with the numbers facing up, open the die release lever.



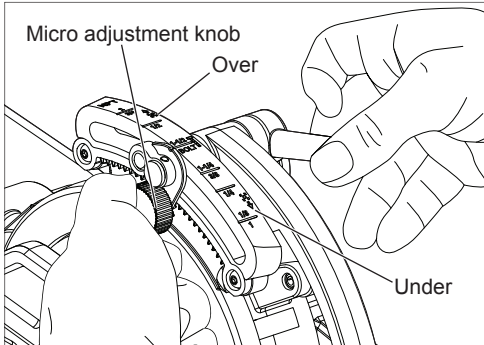
4. Loosen the clamp lever turning anticlockwise until the pin is no longer engaged with the pipe scale.
5. Slide the pipe scale align the arrow, and unlock.
6. Pull the dies out of the die head.
7. To **install** dies, insert the die with the numbers on the die head facing upward.

NOTE: Ensure dies are going into the correct numbers on the die head. Use dies as a set, do not mix dies with different sets.

8. Push the die in the die head up to the line etched on the die.
9. Re-engage the pin with the pipe scale.
10. Tighten clamp lever turning clockwise.

Adjusting Die Head

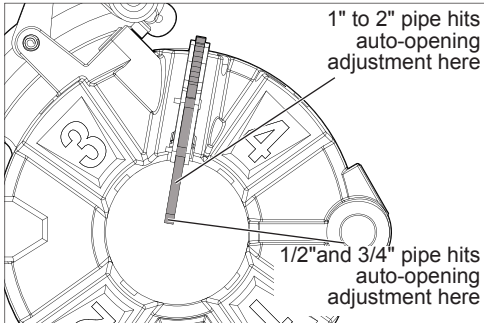
1. Remove battery pack.
2. Loosen clamp lever.
3. Slide the pipe scale to the desired size. **Over** has a larger thread diameter removing more material. **Under** is a smaller thread diameter removing less material.



4. Use the micro adjustment knob to adjust to the desired size.
5. Tighten clamp lever.

Auto-Opening Adjustment

Lift the die release lever up then slide the auto-opening adjuster up or down for desired pipe size for threading.



- 1/2" and 3/4" - End of pipe should hit auto-opening adjustment
- 1" to 2" - End of pipe should hit shank of auto-opening adjustment

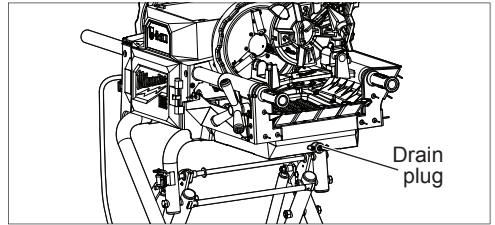
Do not use auto-opening adjustment for pipe sizes 1/8", 1/4", 3/8", longer or shorter threads, and bolt threading. Slide the auto-opening adjustment upward away from the pipe.

Thread Cutting Oil

⚠WARNING Always remove battery pack before changing or removing accessories. Check oil level regularly. Add oil as needed into the reservoir hole located under the filter. The oil should drain into the reservoir hole and not pool in the filter tray. Drain the oil every three months and maintain a cleaning schedule every six months. Use high quality threading oil to fill the oil reservoir. The oil will keep the pipe properly lubricated. Never run the machine without thread cutting oil. Parts may become hot and cause machine to overheat. If the pump sputters, change the oil and clean out the oil system.

Filling/Draining the Oil Reservoir

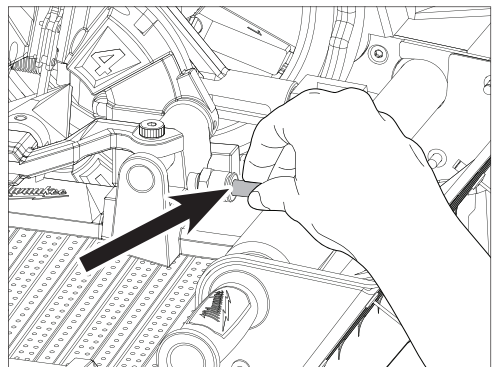
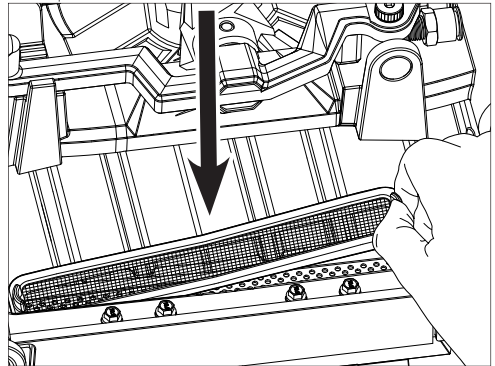
1. Remove battery pack.



2. To **fill**, ensure the drain plug is pushed in before filling oil reservoir. Pour oil into the oil reservoir located under the debris tray (see picture under "Cleaning the Oil System" below).
3. To **drain**, pull oil drain plug. Let oil drain into a suitable oil container. Dispose of the waste oil in compliance with all applicable local regulations. Contact your local waste management authority for more information.

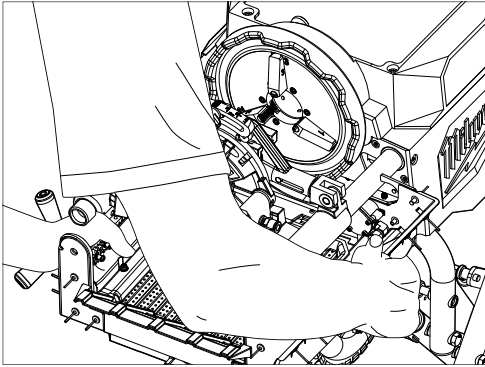
Cleaning the Oil System

1. Remove battery pack.
2. Drain the oil.
3. **Remove and empty the debris tray.**
⚠WARNING Do not touch the cutting chips with bare hands immediately after using the machine; they may be hot and sharp. The cutting chips could burn skin.
4. Pull out and empty the filter located under debris tray.



5. While pushing the plastic collar of the Push to Connect fitting, pull the oil system tubing away from the fitting.

6. Remove accessory carriage handles.



7. Carefully remove the entire oil system.
8. Wipe down with warm water and soap.
9. Reassemble Oil system by reversing above steps .

Removing/Installing the Cutting Wheel

Remove battery pack. To **remove**, using a hammer and flat punch, remove the pin holding the cutting wheel.

To **install**, insert the cutting wheel in the bushings. Hammer the pin until secure.

Removing/Installing the Reamer

Remove battery pack. To **remove**, take a flat punch and hammer the pin holding the reamer until the pin is fully removed.

To **install**, attach the reamer to the assembly and hammer the pin until secure.

Removing/Installing the Jaw Inserts

Remove battery pack. To **remove**, using a flat-head screwdriver, twist off the jaw insert. Pull the pin and spring.

To **install**, push in spring and pin. Insert the jaw insert and tighten with flat head screwdriver.

Transportation

⚠WARNING Use two people whenever it is necessary to lift or carry the machine. Machine is heavy. Lift with legs, not back. Do not use cart to transport other loads or add additional accessories.

Always unarm the machine before transporting. Ensure the foot pedal cord is properly wrapped and the pedal is stored before transporting. Always clear the area of obstructions before transporting.

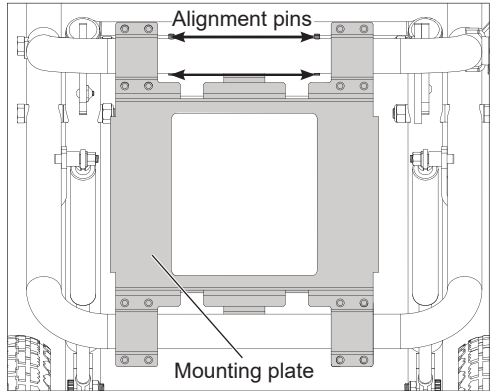
To roll cart from place to place, grasp the cart handles and tilt the machine onto the tyres. Push, don't pull, the machine.

Always use a two person lift when necessary. To lift, grasp the accessory carriage handles and tilt the machine back onto the tyres. Have a second person grasp the accessory arms. Always maintain a firm footing.

Removing/Installing the Power Drive from the Cart

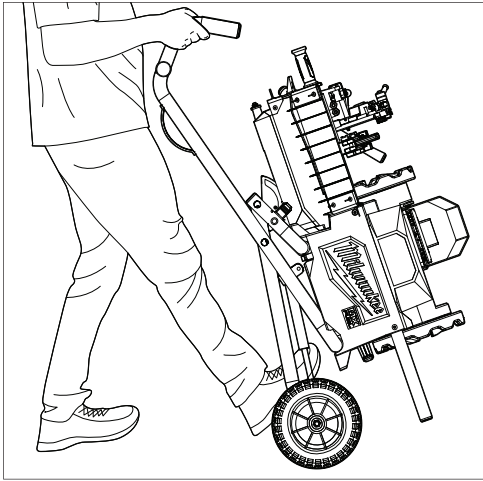
When using another means of lift or device, ensure the lift sling is secure under the accessory carriage handles and accessory arms. Always lift according to sling manufacturer's instructions. Ensure the sling is in good repair and rated for the total weight of tool, any attached accessories, and oil. If in doubt use an experienced professional to lift the machine.

1. Ensure pipe threader's cart is fully set up and remove the battery pack. Remove pipe and drain oil reservoir.
2. Ensure the lifting device is securely in place and supporting the power drive itself and the cart is able to easily be removed.
3. Using an impact driver with a 6 mm bit remove eight M8-1.25 screws from the cart front mount brackets.
4. Continue removing the eight screws from the cart rear mount brackets.
5. Lift the power drive away from the cart using a device or two person lift by holding the accessory carriage handles and accessory arms.
6. To **install** the power drive using a device, secure the lift sling on the accessory carriage handles and accessory arms.



7. Place mounting plate on cart. Make sure the alignment pins are towards the centre of the cart on the front end of the cart.
8. Lift the power drive onto the cart and align the mounting plate holes with the power drive holes.
9. Tighten the eight M8-1.25 screws on the rear mount brackets to the machine to torque 18.4 Nm (163 in-lbs).
10. Continue tightening eight screws on front mount brackets to the machine to torque 18.4 Nm (163 in-lbs).

Vertical Storage Position



1. Remove battery pack.
2. Clean oil system.
3. Collapse cart.
4. Lift up and push pipe threader cart vertically.

ONE-KEY™

To learn more about the ONE-KEY™ functionality for this machine, please refer to the quick reference included with this machine or go to milwaukeeetool.com.au/innovation/onekey/. To download the ONE-KEY™ app, visit the App Store or Google Play from your smart device.

ONE-KEY™ Indicator	
Solid Blue	Wireless mode is active and ready to be configured via the ONE-KEY™ app.
Blinking Blue	Machine is actively communicating with the ONE-KEY™ app.
Blinking Red	Machine is in security lockout and can be unlocked by the owner via the ONE-KEY™ app.

OPERATION

⚠WARNING To reduce the risk of injury, always wear proper eye protection marked to comply with AS/NZS 1337.1.

Do not wear gloves. Gloves may be entangled by the rotating pipe or machine parts leading to personal injury. Wear gloves only when handling hot parts and not when the machine is in operation.

Keep sleeves and jackets buttoned while operating the tool. Do not reach across the tool or pipe. Clothing can be caught by the pipe or the tool resulting in entanglement.

Keep hands away from rotating pipe and fittings. Stop the machine before wiping pipe threads or screwing on fittings. Allow the machine to come to a complete stop before touching the pipe. This practice will reduce the risk of entanglement in rotating parts.

Do not use the machine for other purposes such as drilling holes or turning winches. Other

uses or modifying this machine for other applications may increase the risk of serious injury.

Do not use this machine without the debris tray or filter.

Do not use this machine if the foot switch is broken or missing. The foot switch provides safe control of the machine, such as emergency shutoff in case of entanglement.

Only one person must control the work process tool operation, and foot switch. Additional people involved in the process may result in unintended operation and personal injury.

Arming the Machine

The MX FUEL™ machines must be armed prior to use. Even with the battery pack inserted, the trigger and machine functions will not operate until the machine is armed.

To arm the machine:

1. Insert the battery pack.
2. Press the Arm button. The MX FUEL™ icon will light. The trigger will become armed in 2 seconds.
3. After 15 minutes of inactivity, the machine will enter sleep mode. The MX FUEL™ icon will go off and the trigger and LEDs are un-operational.
4. Press and hold the Arm button for 1 second to reactivate the machine.
5. Press and hold the ARM button for 1 second to unarm (turn off) the machine. The MX FUEL™ icon will go off.

Setting Speed/Direction

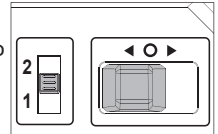
Low speed - Push down to select 1.

High speed - Push up to select 2.

Reverse - Push to the left.

Forward - Push to the right.

Neutral - Select centre position "O".



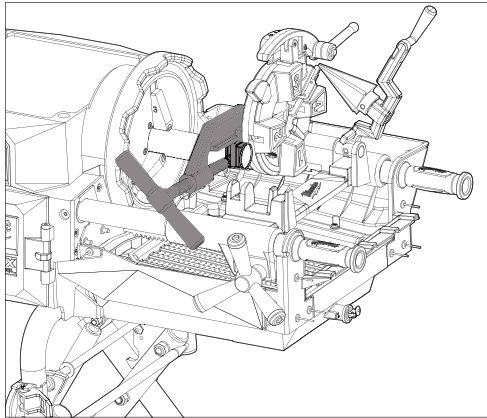
Operating the Machine

1. Make sure there is oil in the reservoir and correct size dies are installed. Select the desired threading size on the pipe scale and set auto-opening adjuster, if necessary.
2. Lift the cutter, die head, and reamer to open position to install the pipe.
3. Turn the hammer chucks clockwise all the way.
4. Insert pipe into machine from the rear.

5. Secure the pipe by turning the hammer chucks anticlockwise until tight.
6. Select desired application (cutting, threading or reaming) by lowering corresponding accessory into place.
7. Press the arming button to arm system.
8. Select direction and speed.
9. Push foot switch to rotate pipe.
10. To stop the machine, release pedal on the foot switch.

11.1 Using cutting wheel:

- a. Turn the cutter wheel handle until both cutter and roller are touching opposite sides of the pipe.



- b. With the machine operating so the pipe is rotating, turn the cutting wheel handle clockwise (recommended 1/4 turn per pipe revolution) until the cut is complete.
- c. Once pipe is cut, turn the machine off and loosen the cutter wheel by turning the cutter wheel handle anticlockwise and lift the cutting wheel to open position.

11.2 Using die head:

- a. Set the die head down into position aligning the height adjustment screw on the carriage assembly.
- b. With the machine operating use the carriage assembly adjuster and slide the die head towards the end of the pipe applying pressure until the threads engage on the pipe.



- c. When thread is complete, release die heads by lifting the die release lever.

NOTE: If automatic die release mechanism is used, then die heads will automatically release. Twist the carriage assembly adjuster removing the die head away from the pipe.

⚠ WARNING Do NOT attempt to use carriage assembly adjuster to remove pipe from the die head while threading. Release the pedal on the foot switch and wait until the machine comes to a complete stop to remove pipe from threading.

- d. Lift the die head to open position. Use caution as threaded pipe will be sharp.

11.3 Using reamer:

- a. Put the reamer down and use the carriage assembly adjuster to slide reamer closer to pipe .
- b. Using the carriage assembly adjuster, slide the reamer away and lift reamer up to open position.

12. Press and hold the arm button to unarm the machine.

13. Remove pipe from threader by loosening the hammer chucks.

Overtemperature Indicator

If overtemperature occurs, the overtemperature indicator light will flash. The machine will not operate until the overtemperature indicator light has stopped flashing. Release the pedal on the foot switch and allow the machine to cool down.

Inspecting Threads/Using a Ring Gauge

1. After removing the pipe from the machine, wipe any oil, chips or debris from the thread.
2. Inspect the thread. Threads should be smooth, complete, and in good form. If irregularities such as thread tearing, thin threads, or pipe out-of-roundness are seen, the thread may not seal.

MAINTENANCE

⚠WARNING To reduce the risk of injury, always unplug the charger and remove the battery pack from the charger or machine before performing any maintenance. Never disassemble the battery pack, charger, or machine, except as provided in these instructions. Contact a MILWAUKEE® service facility for all other repairs.

Maintaining Machine

Keep your machine, battery pack and charger in good repair by adopting a regular maintenance program. Inspect your machine for issues such as undue noise, misalignment or binding of moving parts, breakage of parts, or any other condition that may affect the machine operation. Return the machine, battery pack, and charger to a MILWAUKEE® service facility for repair.

If the machine does not start or operate at full power with a fully charged battery pack, clean the contacts on the battery pack. If the machine still does not work properly, return the machine, charger and battery pack, to a MILWAUKEE® service facility for repairs.

Grease Zerks

Use medium viscosity, synthetic, high temperature grease. Apply five pumps of grease to the zerks once a year.

ONE-KEY™

⚠WARNING Chemical Burn Hazard. This device contains a lithium button/coin cell battery. A new or used battery can cause severe internal burns and lead to death in as little as 2 hours if swallowed or enters the body. Always secure the battery cover. If it does not close securely, stop using the device, remove the batteries, and keep it away from children. If you think batteries may have been swallowed or entered the body, seek immediate medical attention.



Internal Coin Cell Battery

An internal coin cell battery is used to facilitate full ONE-KEY™ functionality.

To replace the coin cell battery:

1. Remove the battery pack.
2. Remove the screw(s) and open the coin cell battery door.
3. Remove the old coin cell battery, keep it away from children, and dispose of it properly.
4. Insert the new coin cell battery (3V CR2032), with the positive side facing up.
5. Close the battery door and tighten the screw(s) securely.

Cleaning

Clean dust and debris from vents. Keep handles clean, dry and free of oil or grease. Use only mild soap and a damp cloth to clean, since certain cleaning agents and solvents are harmful to plastics and other insulated parts. Some of these include petrol, turpentine, lacquer thinner, paint thinner, chlorinated cleaning solvents, ammonia and household detergents containing ammonia. Never use flammable or combustible solvents around tools.

Cleaning the Battery and Battery Bay

Keep battery connections and surfaces between the machine and battery free of debris and materials. Failure to keep surfaces clean may result in misalignment and/or damage to the battery connection.

Repairs

For repairs, return the machine to the nearest authorised service centre.

ACCESSORIES

⚠WARNING Use only recommended accessories. Others may be hazardous.

For a complete listing of accessories, go online to milwaukeeetool.com.au / milwaukeeetool.co.nz or contact a distributor.

WARRANTY - AUSTRALIA and NEW ZEALAND

Please refer to Australian and New Zealand warranty supplied with tool. This warranty applies only to product sold by authorised dealers in Australia and New Zealand.

SERVICE - AUSTRALIA and NEW ZEALAND

MILWAUKEE® prides itself in producing a premium quality product that is Nothing But Heavy Duty™. Your satisfaction with our products is very important to us! If you encounter any problems with the operation of this tool, please contact your authorised **MILWAUKEE®** dealer.

For a list of **MILWAUKEE®** dealers, guarantee or service agents please contact **MILWAUKEE®** Customer Service or visit our website.

(Australia Toll Free Telephone Number 1300 645 928)

(New Zealand Toll Free Telephone Number 0800 645 928)

or visit milwaukeeetool.com.au/milwaukeeetool.co.nz.

Milwaukee Electric Tool Corporation

13135 West Lisbon Road, Brookfield, Wisconsin U.S.A. 53005

Milwaukee Tool (Australia)

26 - 40 Nina Link, Dandenong South,
Victoria, 3175, Australia

Milwaukee Tool (New Zealand)

274 Church Street, Penrose,
Auckland, 1061, New Zealand

DESIGNED BY MILWAUKEE ELECTRIC TOOL CORP.

PROFESSIONALLY MADE IN MEXICO

PRINTED IN MEXICO