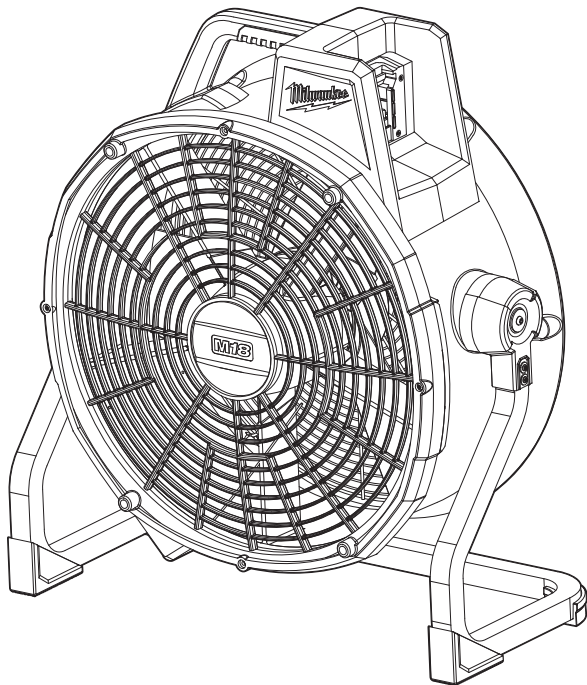





## OPERATOR'S MANUAL



Cat. No.  
**M18 ARFHP**

**M18™ HIGH PERFORMANCE AREA FAN**

 **WARNING**

 To reduce the risk of injury, user must read and understand operator's manual.

## GENERAL POWER TOOL SAFETY WARNINGS

**⚠WARNING** Read all safety warnings, instructions, illustrations and specifications provided with this power tool. Failure to follow all instructions listed below may result in electric shock, fire and/or serious injury. **Save all warnings and instructions for future reference.** The term "power tool" in the warnings refers to your mains-operated (corded) power tool or battery-operated (cordless) power tool.

- This appliance is not intended for use by persons (including children) with reduced physical, sensory or mental capabilities, or lack of experience and knowledge, unless they have been given supervision or instruction concerning use of the appliance by a person responsible for their safety.
- Children should be supervised to ensure that they do not play with the appliance.

### WORK AREA SAFETY

- **Keep work area clean and well lit.** Cluttered or dark areas invite accidents.
- **Do not use fan outdoors.**
- **Do not operate power tools in explosive atmospheres, such as in the presence of flammable liquids, gases or dust.** Power tools create sparks which may ignite the dust or fumes.
- **Keep children and bystanders away while operating a power tool.** Distractions can cause you to lose control.

### ELECTRICAL SAFETY

- **Power tool plugs must match the outlet. Never modify the plug in any way. Do not use any adapter plugs with earthed (grounded) power tools.** Unmodified plugs and matching outlets will reduce risk of electric shock.
- **Avoid body contact with earthed or grounded surfaces, such as pipes, radiators, ranges and refrigerators.** There is an increased risk of electric shock if your body is earthed or grounded.
- **Do not expose power tools to rain or wet conditions.** Water entering a power tool will increase the risk of electric shock.
- **Do not abuse the cord. Never use the cord for carrying, pulling or unplugging the power tool. Keep cord away from heat, oil, sharp edges or moving parts.** Damaged or entangled cords increase the risk of electric shock.
- **When operating a power tool outdoors, use an extension cord suitable for outdoor use.** Use of a cord suitable for outdoor use reduces the risk of electric shock.
- **If operating a power tool in a damp location is unavoidable, use a residual current device (RCD) protected supply.** Use of a RCD reduces the risk of electric shock.
- **Do not use fan near water.** Never expose the fan to dripping and splashing. Never immerse the fan in liquid or allow a liquid to flow inside the fan. Water entering the fan will increase the risk for electric shock.

- **Protect the power supply cord from being walked on or pinched particularly at plugs, inlets, and the point where they exit from the fan.** Do not cover cord or run under carpeting. Do not abuse the cord. Never use the cord to carry the fan or pull the plug from an outlet. Keep cord away from heat, oil, sharp edges or moving parts. Do not route cord under furniture or appliances. Arrange cord away from traffic area and where it will not be tripped over.
- **Unplug the fan during lightning storms or when unused for long periods.** Disconnect fan from outlet when not in use.

### PERSONAL SAFETY

- **Stay alert, watch what you are doing and use common sense when operating a power tool. Do not use a power tool while you are tired or under the influence of drugs, alcohol or medication.** A moment of inattention while operating power tools may result in serious personal injury.
  - **Use personal protective equipment. Always wear eye protection.** Protective equipment such as a dust mask, non-skid safety shoes, hard hat or hearing protection used for appropriate conditions will reduce personal injuries.
  - **Prevent unintentional starting. Ensure the switch is in the off-position before connecting to power source and/or battery pack, picking up or carrying the tool.** Carrying power tools with your finger on the switch or energising power tools that have the switch on invites accidents.
  - **Remove any adjusting key or wrench before turning the power tool on.** A wrench or a key left attached to a rotating part of the power tool may result in personal injury.
  - **Do not overreach. Keep proper footing and balance at all times.** This enables better control of the power tool in unexpected situations.
  - **Dress properly. Do not wear loose clothing or jewelry. Keep your hair and clothing away from moving parts.** Loose clothes, jewelry or long hair can be caught in moving parts.
  - **If devices are provided for the connection of dust extraction and collection facilities, ensure these are connected and properly used.** Use of dust collection can reduce dust-related hazards.
  - **Do not let familiarity gained from frequent use of tools allow you to become complacent and ignore tool safety principles.** A careless action can cause severe injury within a fraction of a second.
- ### POWER TOOL USE AND CARE
- **Do not force the power tool. Use the correct power tool for your application.** The correct power tool will do the job better and safer at the rate for which it was designed.
  - **Do not use the power tool if the switch does not turn it on and off.** Any power tool that cannot be controlled with the switch is dangerous and must be repaired.

- **Disconnect the plug from the power source and/or remove the battery pack, if detachable, from the power tool before making any adjustments, changing accessories, or storing power tools.** Such preventative safety measures reduce the risk of starting the power tool accidentally.
- **Store idle power tools out of the reach of children and do not allow persons unfamiliar with the power tool or these instructions to operate the power tool.** Power tools are dangerous in the hands of untrained users.
- **Maintain power tools and accessories. Check for misalignment or binding of moving parts, breakage of parts and any other condition that may affect the power tool's operation. If damaged, have the power tool repaired before use.** Many accidents are caused by poorly maintained power tools.
- **Keep cutting tools sharp and clean.** Properly maintained cutting tools with sharp cutting edges are less likely to bind and are easier to control.
- **Use the power tool, accessories and tool bits etc. in accordance with these instructions, taking into account the working conditions and the work to be performed.** Use of the power tool for operations different from those intended could result in a hazardous situation.
- **Keep handles and grasping surfaces dry, clean and free from oil and grease.** Slippery handles and grasping surfaces do not allow for safe handling and control of the tool in unexpected situations.

### **BATTERY TOOL USE AND CARE**

- **This fan is designed to be powered by the supplied AC cord, or an M18 MILWAUKEE® Li-ion battery pack.** Do not attempt to use with any other power supply or battery.
- **Recharge only with the charger specified by the manufacturer.** A charger that is suitable for one type of battery pack may create a risk of fire when used with another battery pack.
- **Use power tools only with specifically designated battery packs.** Use of any other battery packs may create a risk of injury and fire.
- **When battery pack is not in use, keep it away from other metal objects, like paper clips, coins, keys, nails, screws or other small metal objects, that can make a connection from one terminal to another.** Shorting the battery terminals together may cause burns or a fire.
- **Under abusive conditions, liquid may be ejected from the battery; avoid contact. If contact accidentally occurs, flush with water. If liquid contacts eyes, additionally seek medical help.** Liquid ejected from the battery may cause irritation or burns.
- **Do not use a battery pack or tool that is damaged or modified.** Damaged or modified batteries may exhibit unpredictable behaviour resulting in fire, explosion or risk of injury.
- **Do not expose a battery pack or tool to fire or excessive temperature.** Exposure to fire or temperature above 130°C (265°F) may cause explosion.
- **Follow all charging instructions and do not charge the battery pack or tool outside the temperature range specified in the instructions.** Charging improperly or at temperatures outside the specified range may damage the battery and increase the risk of fire.

### **SERVICE**

- **Have your power tool serviced by a qualified repair person using only identical replacement parts.** This will ensure that the safety of the power tool is maintained.
- **Never service damaged battery packs.** Service of battery packs should only be performed by the manufacturer or authorized service providers.

### **SPECIFIC SAFETY RULES FOR JOBSITE FAN**

- **Do not install near any heat sources** such as radiators, stoves, or other apparatus (including amplifiers) that produce heat.
- **Only operate the fan in a well ventilated area.** Do not block any ventilation openings.
- **Do not operate fan with a damaged or missing grill.**
- **Place the fan switch in the off position and disconnect battery pack or power supply before making any adjustments, changing accessories, cleaning or storing the fan.** Such preventative measures reduce the risk of starting the fan accidentally.
- **Avoid accidental starting. Be sure switch is in the off position before inserting battery pack or power supply.** Inserting the battery pack or power supply into the fan with the switch on invites accidents.

**⚠WARNING** To reduce the risk of injury, when working in dusty situations, wear appropriate respiratory protection or use a suitable dust extraction solution.

- **Always use common sense and be cautious when using tools.** It is not possible to anticipate every situation that could result in a dangerous outcome. Do not use this tool if you do not understand these operating instructions or you feel the work is beyond your capability; contact MILWAUKEE® Tool or a trained professional for additional information or training.

- **Maintain labels and nameplates.** These carry important information. If unreadable or missing, contact a MILWAUKEE® service facility for a replacement.

**⚠WARNING** Some dust created by power sanding, sawing, grinding, drilling, and other construction activities contains chemicals known to cause cancer, birth defects or other reproductive harm. Some examples of these chemicals are:

- lead from lead-based paint
- crystalline silica from bricks and cement and other masonry products, and
- arsenic and chromium from chemically-treated lumber.

Your risk from these exposures varies, depending on how often you do this type of work. To reduce your exposure to these chemicals: work in a well ventilated area, and work with approved safety equipment, such as those dust masks that are specially designed to filter out microscopic particles.

### **READ AND SAVE ALL INSTRUCTIONS FOR FUTURE USE.**

## ADDITIONAL BATTERY SAFETY RULES

**⚠WARNING** To reduce the risk of fire, personal injury, and product damage due to a short circuit, never immerse your tool, battery pack or charger in fluid or allow a fluid to flow inside them. Corrosive or conductive fluids, such as seawater, certain industrial chemicals, and bleach or bleach-containing products, etc., can cause a short circuit.

**⚠WARNING** Do not charge non-rechargeable batteries.

## SPECIFICATIONS

Cat. No. ....	M18 ARFHP
Volts.....	18 V DC
Battery Type .....	M18™
Charger Type.....	M18™
AC Input Volts.....	230-240 VAC
Frequency.....	50 Hz
AC Input Amps.....	0.5 A
Recommended Ambient Operating Temperature.....	-17°C to 51°C

## SYMBOLGY



Volts



Direct Current



Warning



Read Operator's Manual

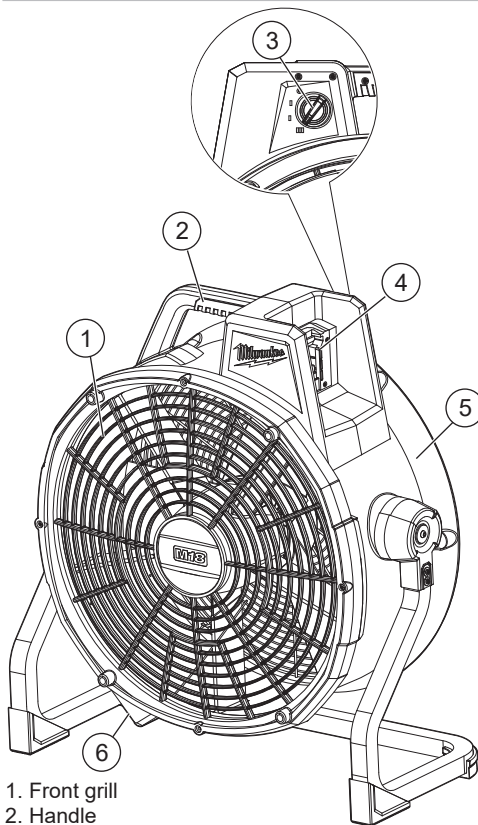


Regulatory Compliance Mark (RCM).  
This product meets applicable  
regulatory requirements.



Do not dispose of electric tools  
together with household waste  
material. Electric tools and electronic  
equipment that have reached the end  
of their life must be collected  
separately and returned to an  
environmentally compatible recycling  
facility.

## FUNCTIONAL DESCRIPTION



1. Front grill
2. Handle
3. Control switch
4. Battery bay
5. Cord wrap storage
6. AC port (not shown)

## ASSEMBLY

**⚠WARNING** Recharge only with the charger specified for the battery. For specific charging instructions, read the operator's manual supplied with your charger and battery.

### Inserting/ Removing the Battery

To insert the battery, slide the pack into the body of the tool. Make sure it latches securely into place. To remove the battery, push in the release buttons and pull the battery pack away from the tool.

**⚠WARNING** Always remove the battery pack any time the tool is not in use.

**⚠WARNING** Only use accessories specifically recommended for this tool.

Others may be hazardous.

### Inserting/Removing AC Cord

To operate the fan on AC power, plug the supplied cord into the AC port. To disconnect the cord, turn the control switch to off position then remove the cord from the AC port.

**NOTE:** When the cord is plugged into the fan, the fan will automatically run on AC power.

### Battery Pack Protection

To protect the life of the battery pack, the fan will shut off when the battery's charge becomes too low. If this happens, remove the battery pack and charge it according to the charger's instructions.

## OPERATION

**⚠WARNING** To reduce the risk of fire or electric shock, do not expose this fan to water, rain or, moisture.

### Turning On/Off

To turn the fan **On**, rotate the control switch from **O** to **I**. To turn the fan **Off**, return the control switch to **O**.

To adjust the speed of the fan, rotate the control switch between the **I**, **II** and **III** speed positions.

- I - Low
- II - Medium
- III - High

### Adjusting Fan Angle

To **adjust** the fan angle, grasp the fan by the handle and tilt the fan forwards or backward to the desired angle.

## MAINTENANCE

**⚠WARNING** To reduce the risk of injury, always unplug the charger and remove the battery pack from the charger or tool before performing any maintenance. Never disassemble the tool, battery pack or charger. Contact a **MILWAUKEE**® service facility for ALL repairs.

### Maintaining Tool

Keep your tool, battery pack and charger in good repair by adopting a regular maintenance program. Inspect your tool for issues such as undue noise, misalignment or binding of moving parts, breakage of parts, or any other condition that may affect the tool operation. Return the tool, battery pack, and charger to a **MILWAUKEE**® service facility for repair. If the tool does not start or operate at full power with a fully charged battery pack, clean the contacts on the battery pack. If the tool still does not work properly, return the tool, charger and battery pack, to a **MILWAUKEE**® service facility for repairs.

## Cleaning

Clean dust and debris from vents. Keep handles clean, dry and free of oil or grease. Use only mild soap and a damp cloth to clean, since certain cleaning agents and solvents are harmful to plastics and other insulated parts. Some of these include petrol, turpentine, lacquer thinner, paint thinner, chlorinated cleaning solvents, ammonia and household detergents containing ammonia. Never use flammable or combustible solvents around tools.

### Cleaning the Front Grill

Clean fan grill periodically with a vacuum wand.

**⚠WARNING** Remove battery or unplug the fan to avoid starting the fan. For heavy build up, remove the front grill by removing the eight screws located at the front of the fan along its outer edges. Dust or wipe grill with a mild soap. Do not place grill in a dishwasher. Excessive heat can distort the plastic.

**⚠WARNING** Always reinstall the front grill before use.

### Cleaning the Blades

**⚠WARNING** Remove battery or unplug the fan to avoid starting the fan. Remove the front grill. Wipe blades with a damp cloth. Do not remove blades. If fan is used in a greasy environment, such as a kitchen, mild soap or a common household cleaner may be necessary. Do not use solvents. Do not place in a dishwasher. Excessive heat can distort the plastic.

**⚠WARNING** Always reinstall the front grill before use.

## Repairs

For repairs, return the tool, battery pack and charger to the nearest service centre.

## ACCESSORIES

**⚠WARNING** Use only recommended accessories. Others may be hazardous.

For a complete listing of accessories, go online to [milwaukeeetool.com.au](http://milwaukeeetool.com.au) / [milwaukeeetool.co.nz](http://milwaukeeetool.co.nz) or contact a distributor.





## **WARRANTY - AUSTRALIA and NEW ZEALAND**

Please refer to Australian and New Zealand warranty supplied with tool. This warranty applies only to product sold by authorised dealers in Australia and New Zealand.

## **SERVICE - AUSTRALIA and NEW ZEALAND**

**MILWAUKEE®** prides itself in producing a premium quality product that is Nothing But Heavy Duty™. Your satisfaction with our products is very important to us! If you encounter any problems with the operation of this tool, please contact your authorised **MILWAUKEE®** dealer.

For a list of **MILWAUKEE®** dealers, guarantee or service agents please contact **MILWAUKEE®** Customer Service or visit our website.

(Australia Toll Free Telephone Number 1300 645 928)

(New Zealand Toll Free Telephone Number 0800 645 928)

or visit [milwaukeetool.com.au](http://milwaukeetool.com.au)/[milwaukeetool.co.nz](http://milwaukeetool.co.nz).

### **Milwaukee Electric Tool Corporation**

13135 West Lisbon Road, Brookfield, Wisconsin U.S.A. 53005

#### **Milwaukee Tool (Australia)**

26 - 40 Nina Link, Dandenong South,  
Victoria, 3175, Australia

#### **Milwaukee Tool (New Zealand)**

274 Church Street, Penrose,  
Auckland, 1061, New Zealand

DESIGNED BY MILWAUKEE ELECTRIC TOOL CORP.  
PROFESSIONALLY MADE IN USA  
PRINTED IN USA