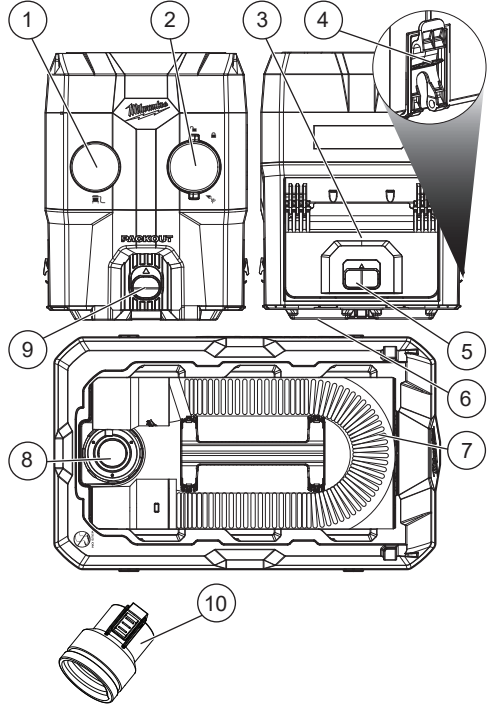


IMPORTANT SAFETY INSTRUCTIONS

⚠WARNING Read all safety warnings, instructions, illustrations and specifications provided. Failure to follow all instructions listed below may result in serious injury and/or property damage. Save all warnings and instructions for future reference.

- Always use common sense and be cautious when using the PACKOUT™ Cyclone Debris Separator. It is not possible to anticipate every situation that could result in a dangerous outcome. Do not use this tool if you do not understand these operating instructions or you feel the work is beyond your capability; contact MILWAUKEE® Tool or a trained professional for additional information or training.
- Do not transport the PACKOUT™ Cyclone Debris Separator vertically on a vehicle wall unless allowed according to the product's operator's manual. If product is damaged during transport, it could cause the tool to work improperly. Always inspect PACKOUT™ Cyclone Debris Separator before connecting to a vacuum.
- Replace clip-style fasteners immediately if cracked, worn, or damaged. Do not attempt to fix or mend damaged clip-style fasteners.
- If the accessory has received an impact or is involved in an accident, MILWAUKEE® recommends you replace the accessory before future use.
- Ensure PACKOUT™ is secured before vehicle is in motion. Do not use, adjust or modify PACKOUT™ while vehicle is in motion.

FUNCTIONAL DESCRIPTION



SPECIFICATIONS

Cat. No. PODS-1
 Multi-fit Hose Adaptor Diameter..... 63.5 mm (2.5")
 Expandable Hose Diameter..... 47.6 mm (1-7/8")
 Expandable Hose Length..... Up to 1.8 m (6')
 Debris Capacity..... 9.5 Litres
 Vacuum Compatibility..... Wet & Dry Vacuums
 Vacuum Mounting Clips Compatibility
M18FVC23L, M18FVC34L, M18FVC45L

NOTE: This unit is compatible with PACKOUT™ mounting systems. It is also have clips to securely mount the unit to the top of the M18FVC23L, M18FVC34L, M18FVC45L M18™ Wet/Dry L Class Dust Extractors.

- | | |
|--------------------------------|--------------------------------------|
| 1. Vacuum hose connection | 6. PACKOUT™ cleats |
| 2. Application hose connection | 7. 47.6 mm (1-7/8") Expandable hose |
| 3. Transparent debris door | 8. Multi-fit hose adaptor |
| 4. Vacuum mounting clips | 9. Front PACKOUT™ latch |
| 5. Back door latch | 10. 47.6 mm (1-7/8") DEK26 connector |

SYMBOLGY



Do not mount on vehicle wall.



Do not use as step.



Lock



Unlock



Exhaust



Inlet



Read operator's manual

ASSEMBLY

Installing/Uninstalling the Debris Separator With a Compatible MILWAUKEE® Vacuum

To install/uninstall the tool onto the vacuum:

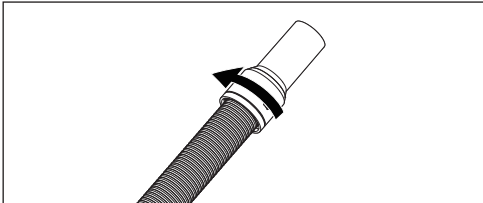
1. Centre the tool on top of the vacuum.
2. On all 4 corners, retract the clips down from the tool.
3. Clip the tool into place using the storage tie-downs on the vacuum. Ensure all corners are clipped into place.
4. To uninstall the tool, release the clips on each corner and unclip from the vacuum. Remove the tool from the vacuum.

Installing/Removing the Dust Extraction Adaptor

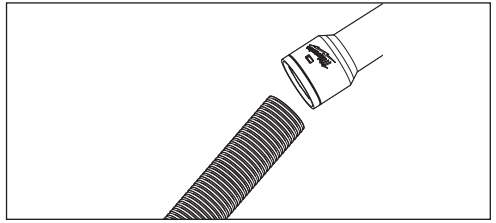
The dust extractor hose adaptor is used to connect the hose to a power tool in place of other dust collection, such as a dust bag.

To install the adaptor, remove any nozzles or accessories from the end of the hose. Twist the adaptor onto the hose until tight for a secure fit. To remove, reverse the procedure.

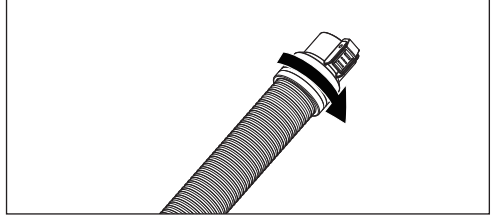
1. Unscrew hose end.



2. Remove hose end.



3. Twist on clip attachment.



Attaching the Expandable Hose

To install:

1. Remove the 47.6 mm (1-7/8") expandable hose from the top of the tool.
2. Use the expandable hose port on the vacuum with two pegs, and turn the hose clockwise to lock into place.
3. Attach the accessory to the end of the hose for the vacuuming application (optional).

To uninstall:

1. Remove the accessory from the expandable hose.
2. Turn the expandable hose anticlockwise to unlock the hose from the tool.
3. Reinstall the expandable hose onto the top of the tool.

OPERATION

Using the Debris Separator

1. Remove the multi-fit hose adaptor from the top of the tool.
2. Insert the multi-fit hose adaptor into the vacuum hose connection port of the debris separator.
3. Attach the vacuum hose to the multi-fit hose adaptor on the tool. See "Specifications".
4. Remove the expandable hose from the top of the tool.
5. Insert the expandable hose into the tool and turn clockwise to lock it into place.
6. Turn on the wet/dry vacuum, and monitor the amount of debris coming into the bottom of the separator.

Disposal of Dust

⚠WARNING To reduce the risk of injury, when working in dusty situations, wear appropriate respiratory protection or use a suitable dust extraction solution. Do not clean the debris separator with compressed air.

Regular filter cleaning of the attached vacuum and debris emptying of the separator are an essential part of regular maintenance on the unit, as a full debris collector will reduce the effectiveness of the unit. Follow carefully the user instructions associated with the attached vacuum unit. Carefully transfer the collected debris to a suitable container

with a tight-fitting lid to minimise the amount of dust that re-enters the air. Ensure minimal dust is allowed to escape when emptying unit or cleaning filters on the attached vacuum. Disposal of dust needs to be done in accordance with local regulations.

Cleaning Debris Collector

Wear suitable personal protective equipment and remove any remaining dust or debris thoroughly after the separator has been removed and appropriately handled, e.g., by using a compliant dust extraction system (Class M recommended as a minimum) in accordance with local regulations.

Unclogging the Debris Separator

⚠WARNING To reduce the risk of injury, when working in dusty situations, wear appropriate respiratory protection or use a suitable dust extraction solution. Do not clean the debris separator with compressed air.

1. Turn vacuum off.
2. Open the transparent debris door on the back of the separator.
3. Using your finger, twist both red tabs near the top of the debris door towards the door, causing the cyclone plate to lower.
4. Clear out any stuck debris from the separator.
5. Lift the separator back up and twist the red tabs back away from the door to secure it into place.
6. Close the debris door and resume work.

WARRANTY - AUSTRALIA and NEW ZEALAND

Please refer to Australian and New Zealand warranty supplied with tool. This warranty applies only to product sold by authorised dealers in Australia and New Zealand.

SERVICE - AUSTRALIA and NEW ZEALAND

MILWAUKEE[®] prides itself in producing a premium quality product that is Nothing But Heavy Duty™. Your satisfaction with our products is very important to us! If you encounter any problems with the operation of this tool, please contact your authorised *MILWAUKEE*[®] dealer.

For a list of *MILWAUKEE*[®] dealers, guarantee or service agents please contact *MILWAUKEE*[®] Customer Service or visit our website.

(Australia Toll Free Telephone Number 1300 645 928)

(New Zealand Toll Free Telephone Number 0800 645 928)

or visit milwaukeetool.com.au/milwaukeetool.co.nz.

Milwaukee Electric Tool Corporation

13135 West Lisbon Road, Brookfield, Wisconsin U.S.A. 53005

Milwaukee Tool (Australia)

26 - 40 Nina Link, Dandenong South,
Victoria, 3175, Australia

Milwaukee Tool (New Zealand)

274 Church Street, Penrose,
Auckland, 1061, New Zealand

DESIGNED BY MILWAUKEE ELECTRIC TOOL CORP.
PROFESSIONALLY MADE IN VIETNAM
PRINTED IN VIETNAM