

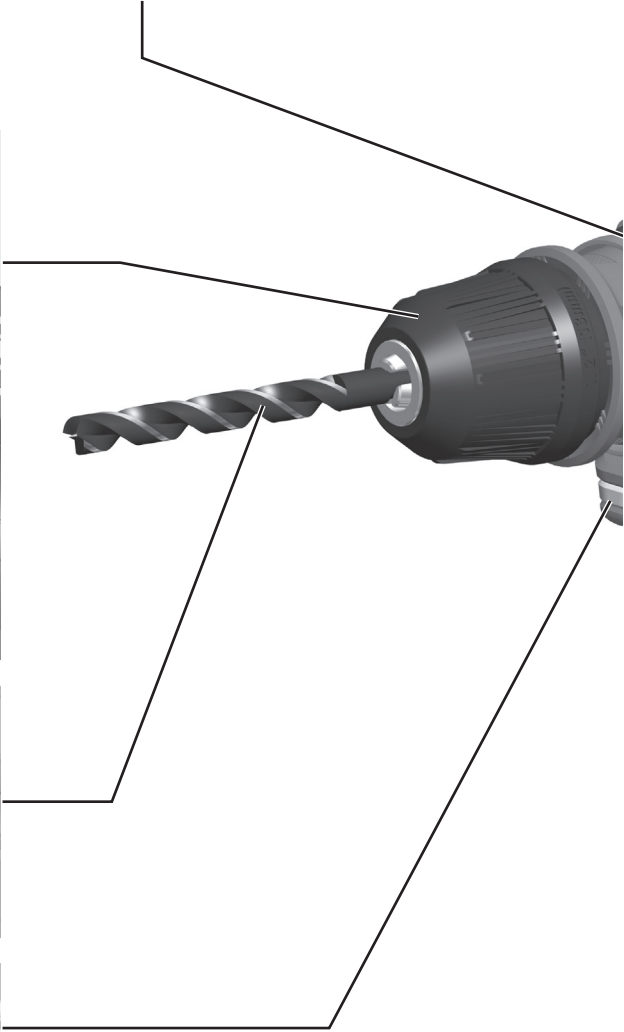
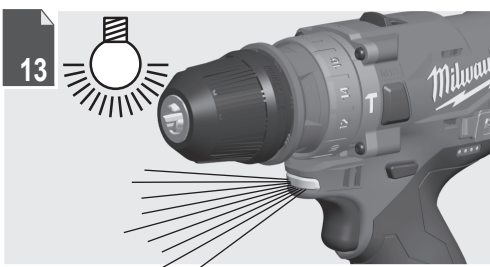
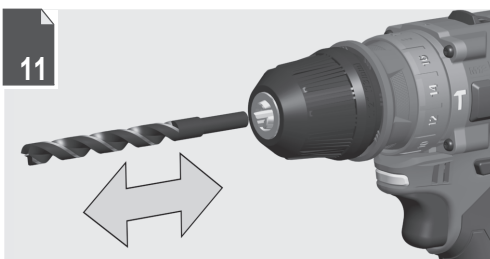
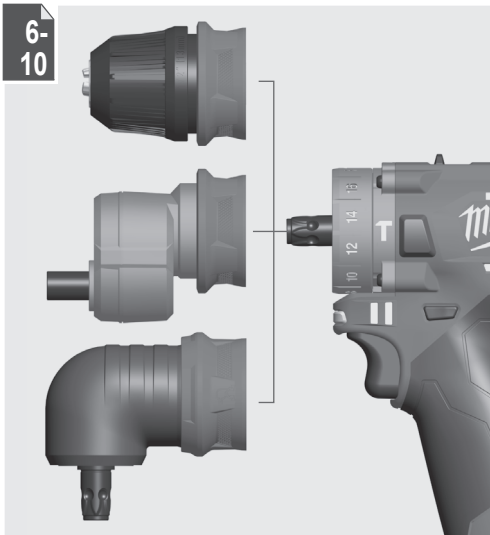
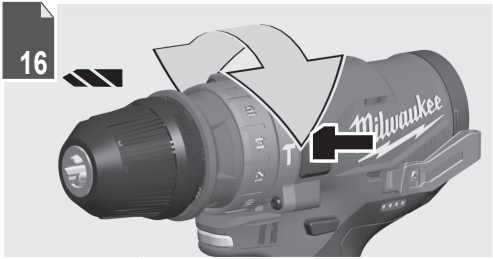
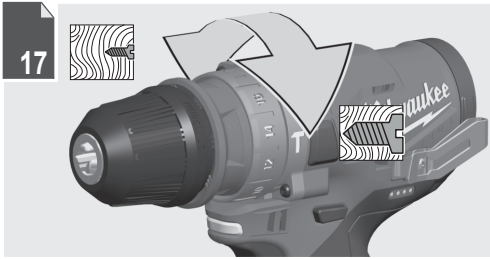
Milwaukee[®]

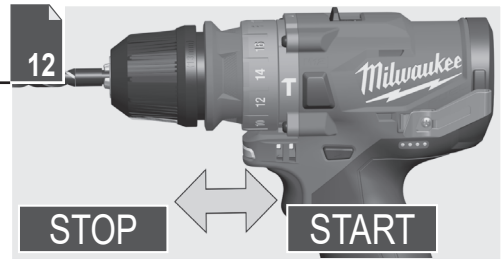
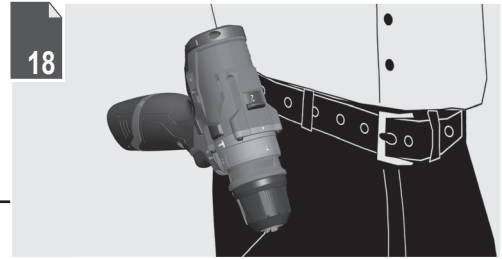
Nothing but **HEAVY DUTY**.[®]



M12 FPDx

Original instructions

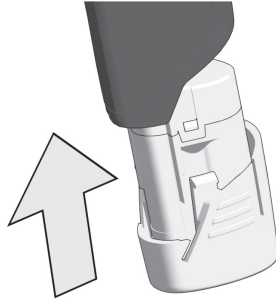






Remove the battery pack before starting any work on the product.

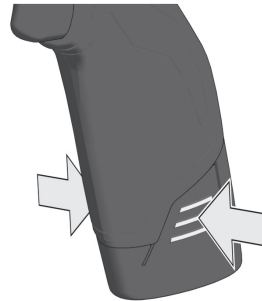
1



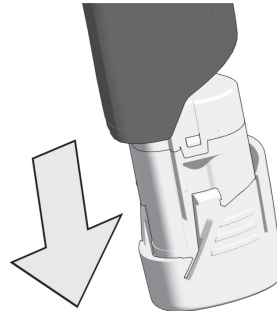
2

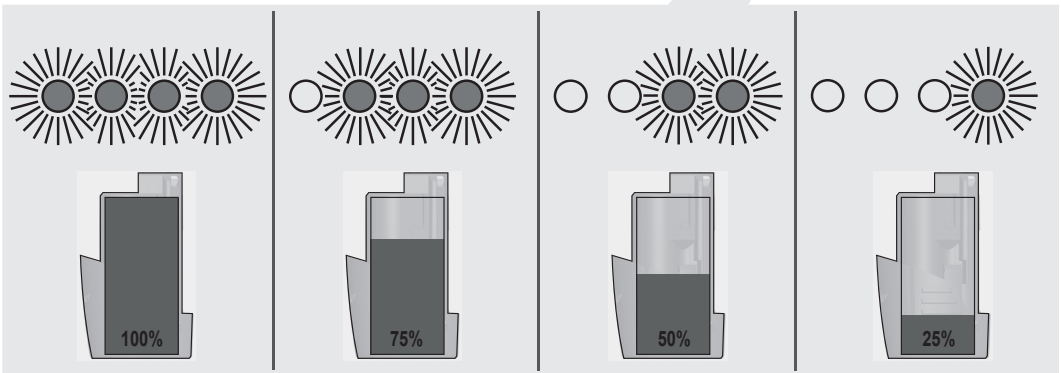
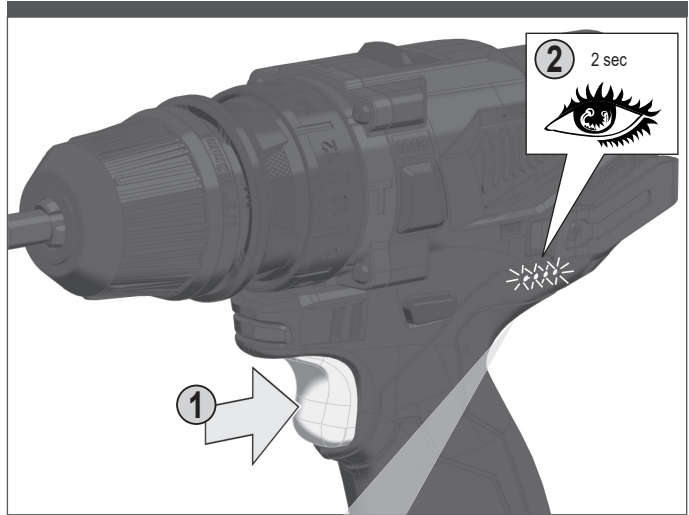


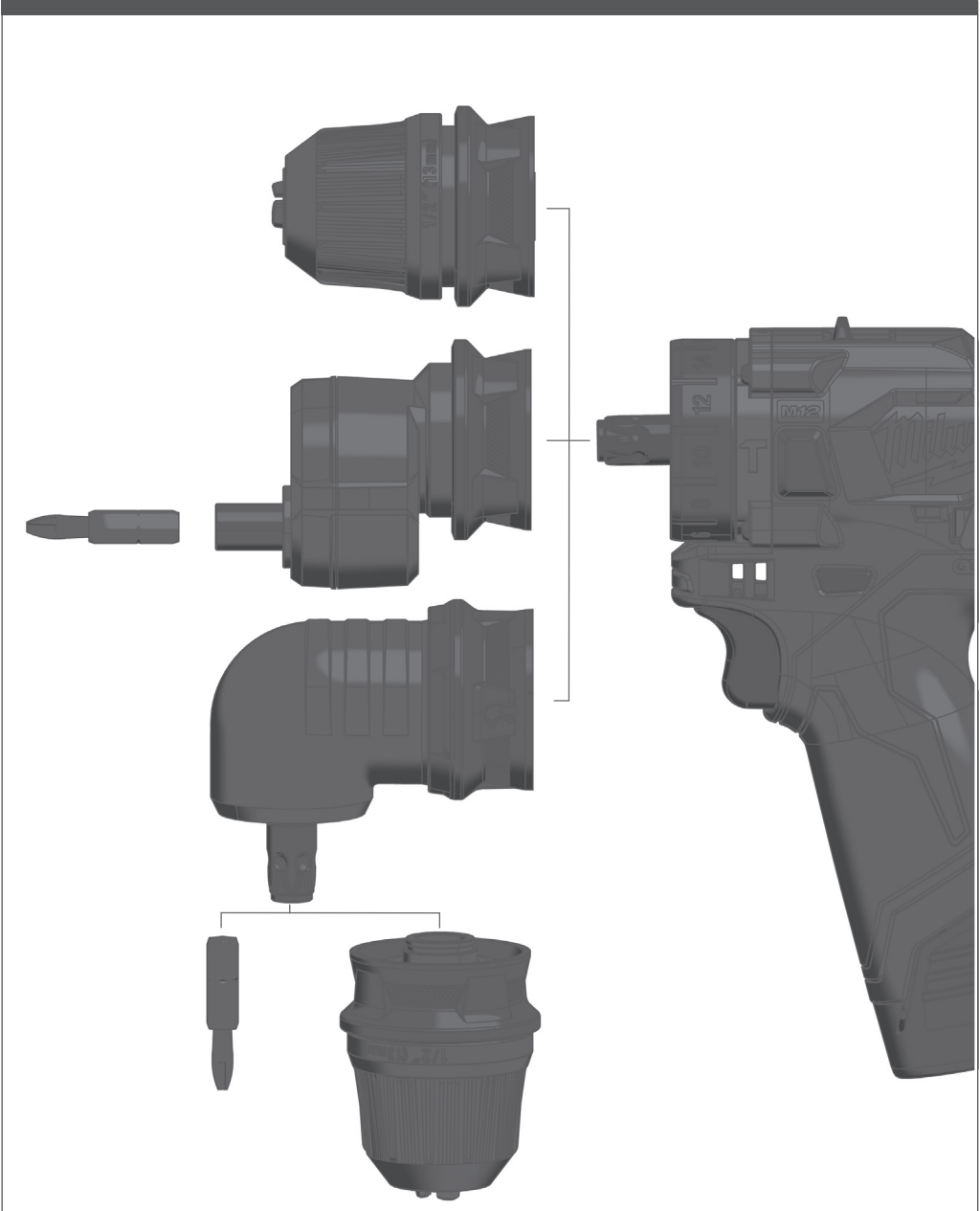
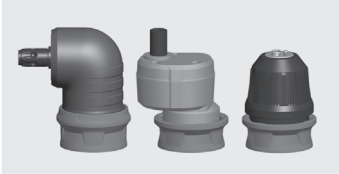
1

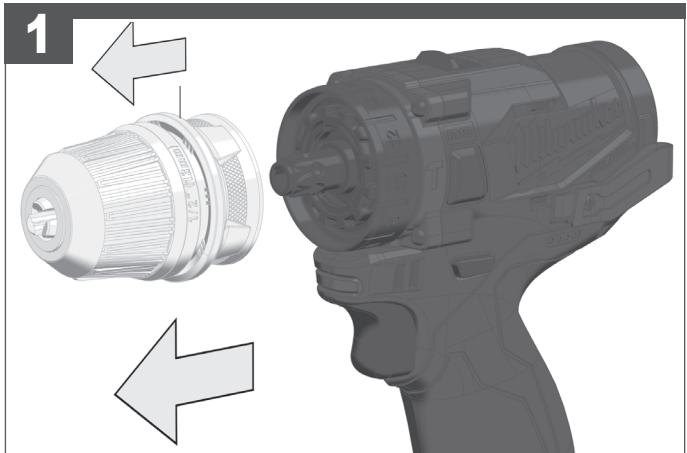
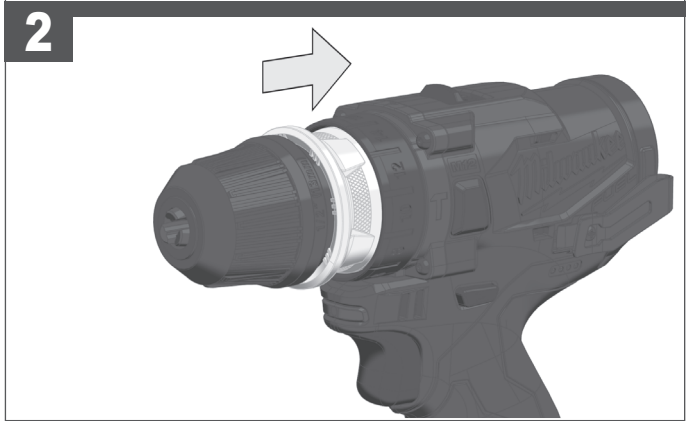
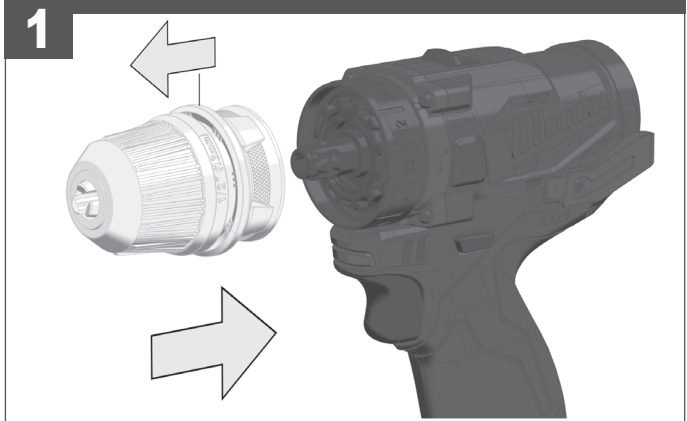
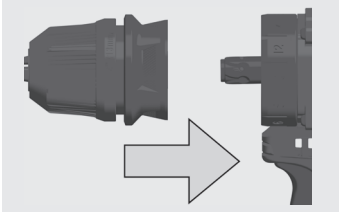


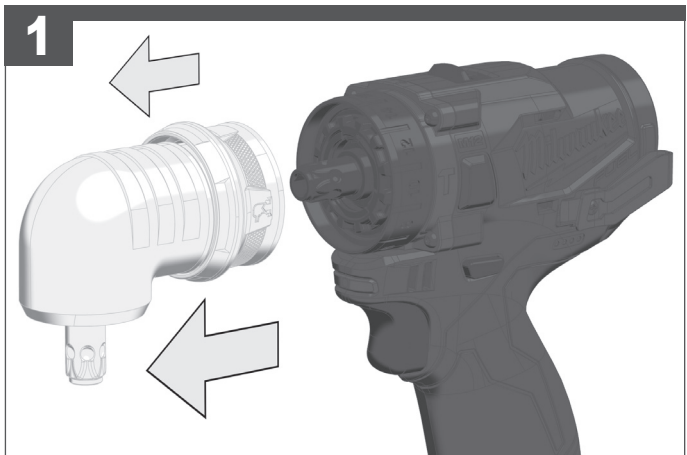
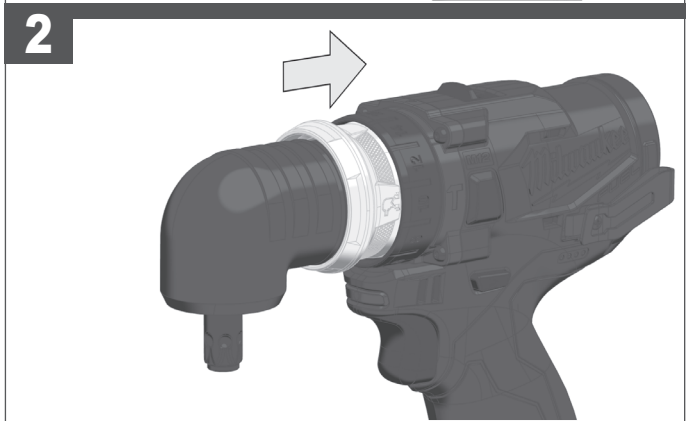
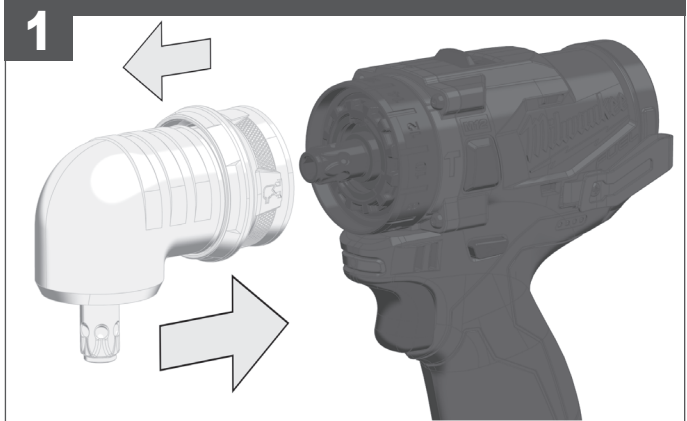
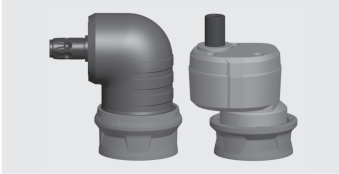
2

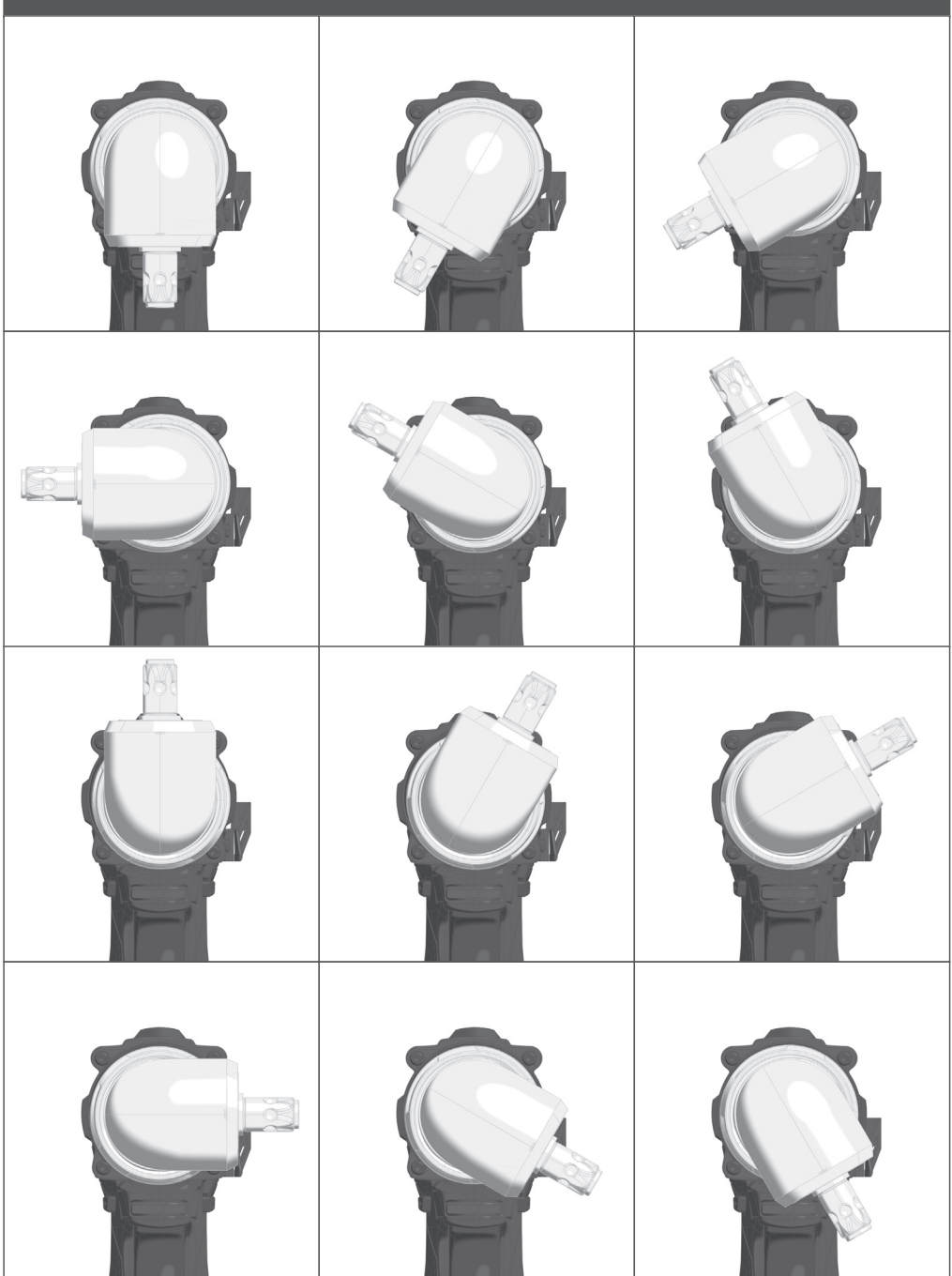


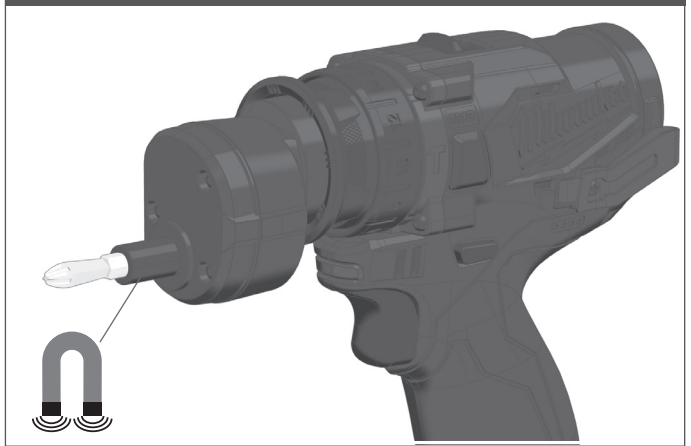
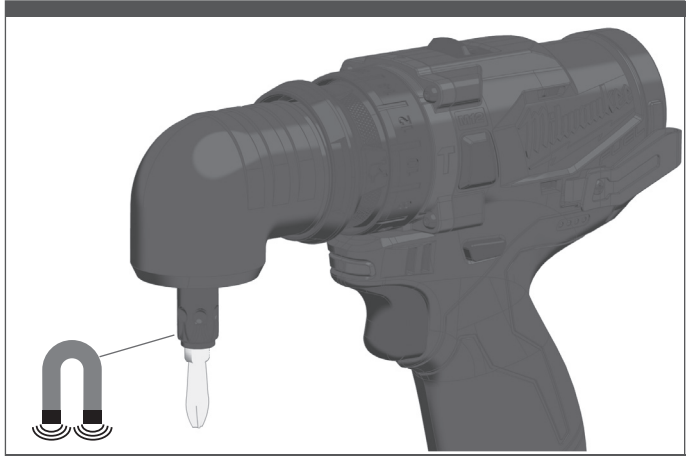


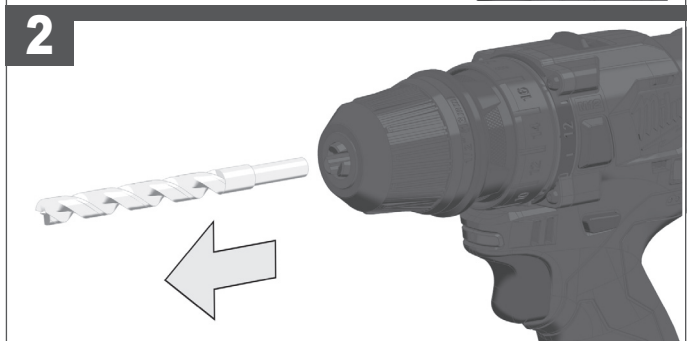
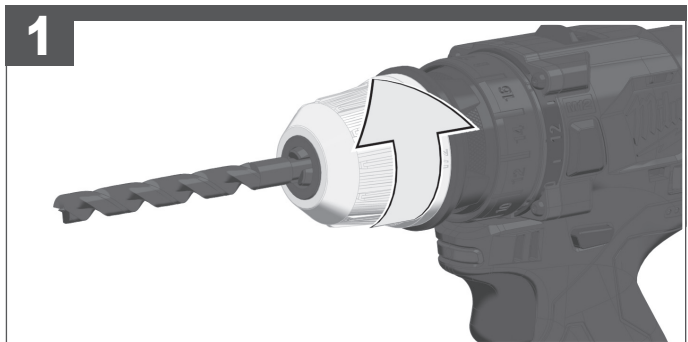
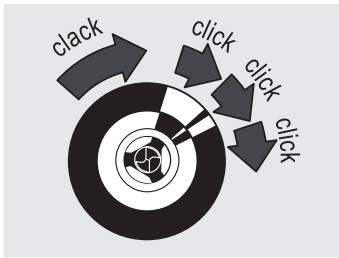
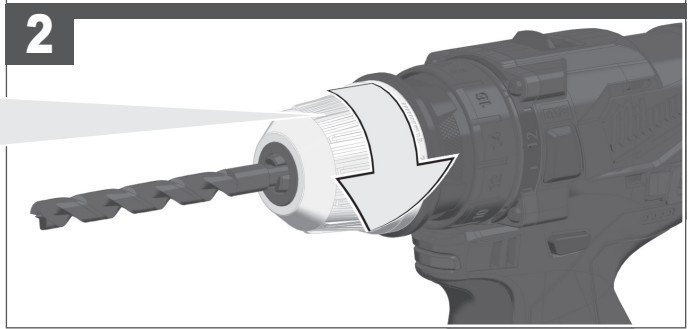
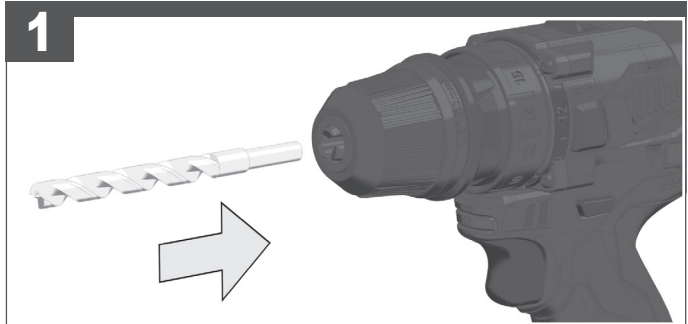
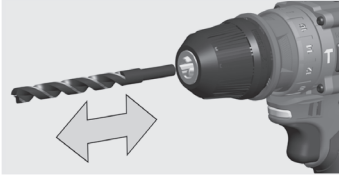






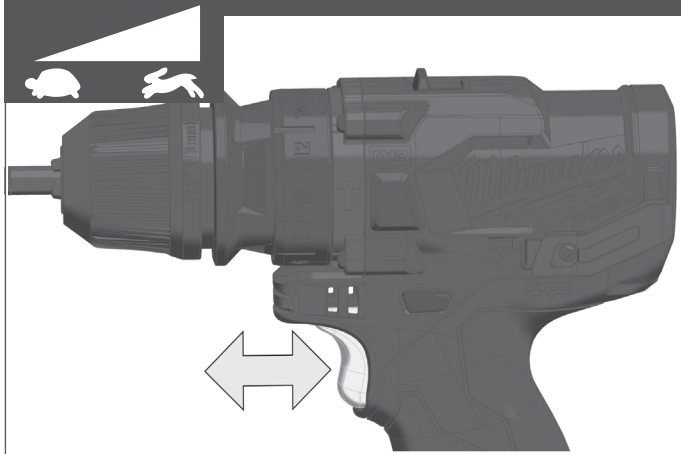
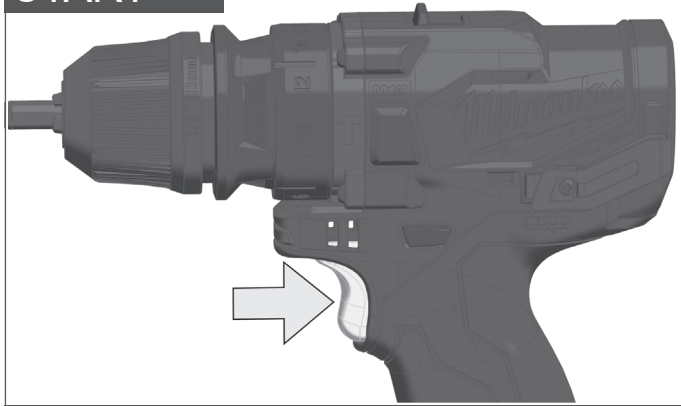






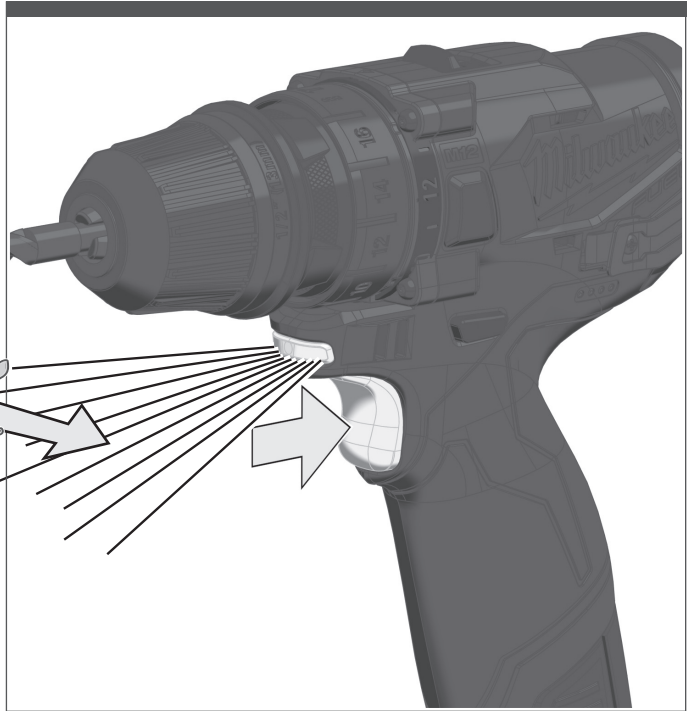
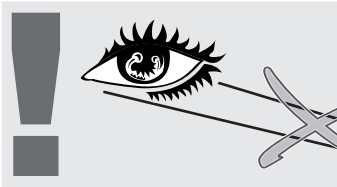


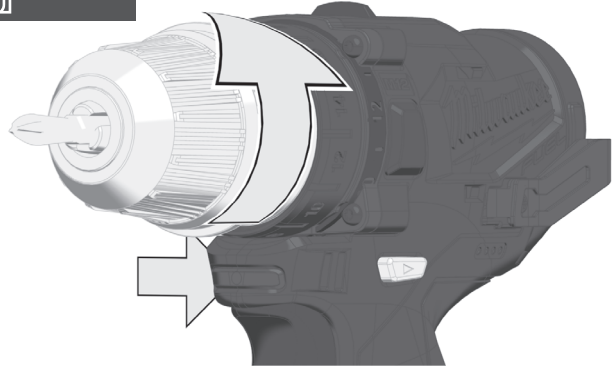
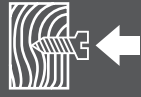
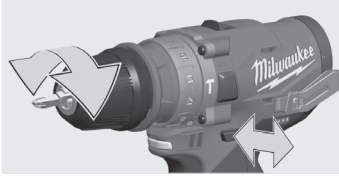
START



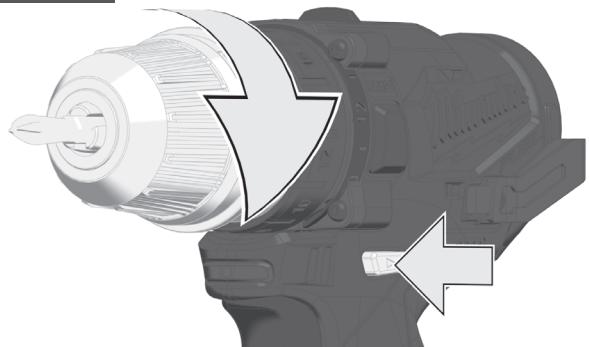
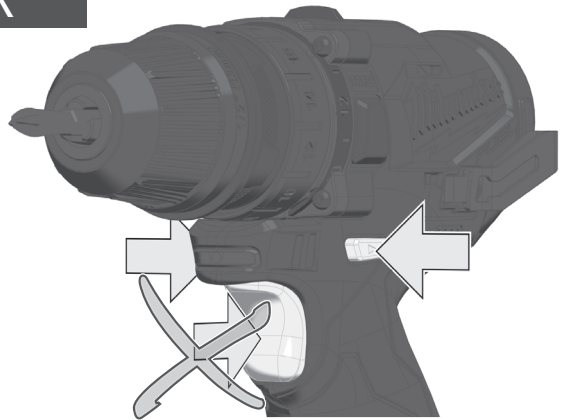
STOP

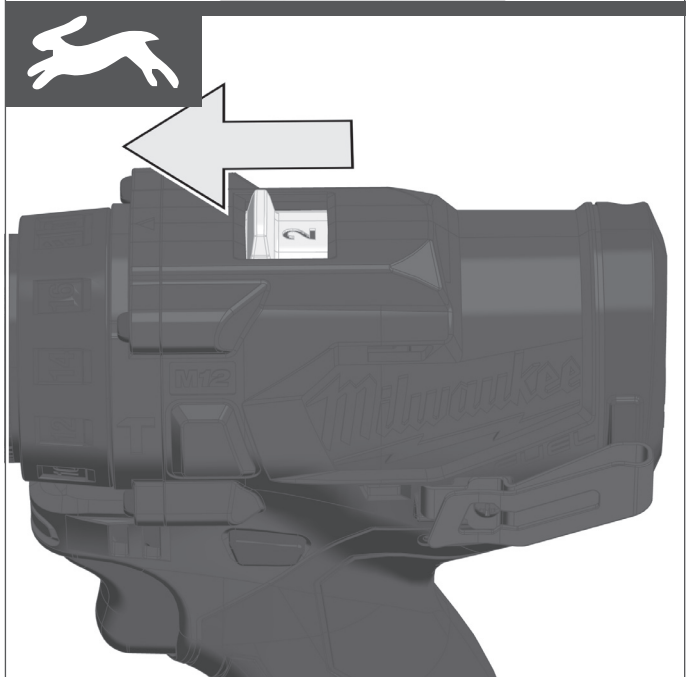
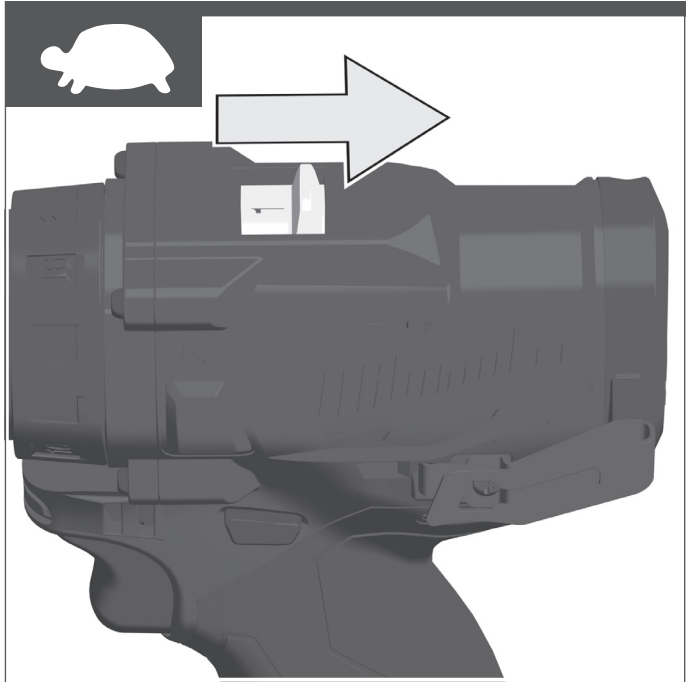


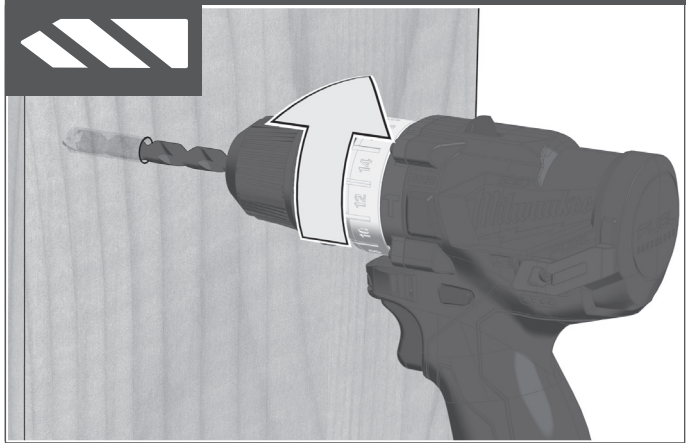
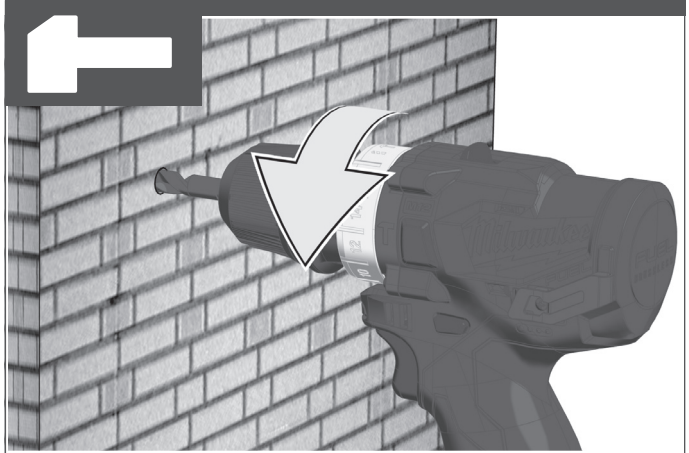
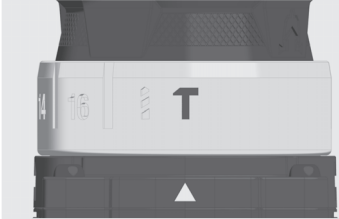


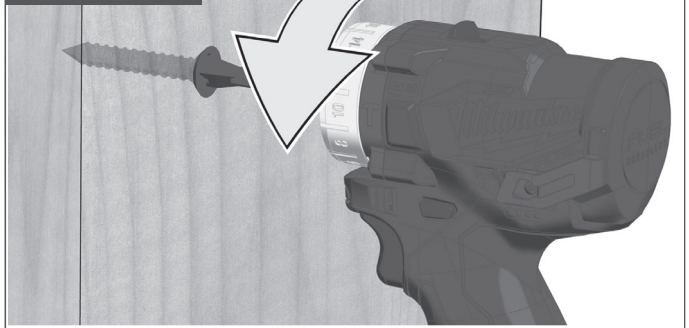
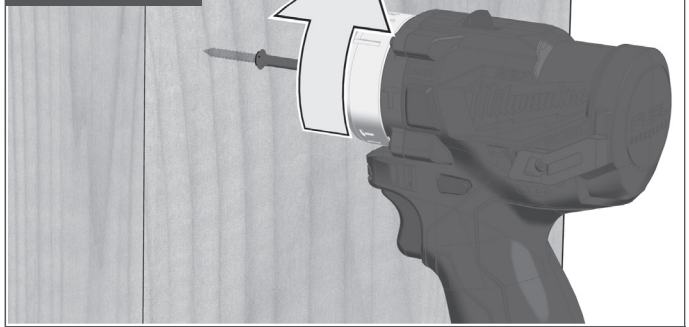


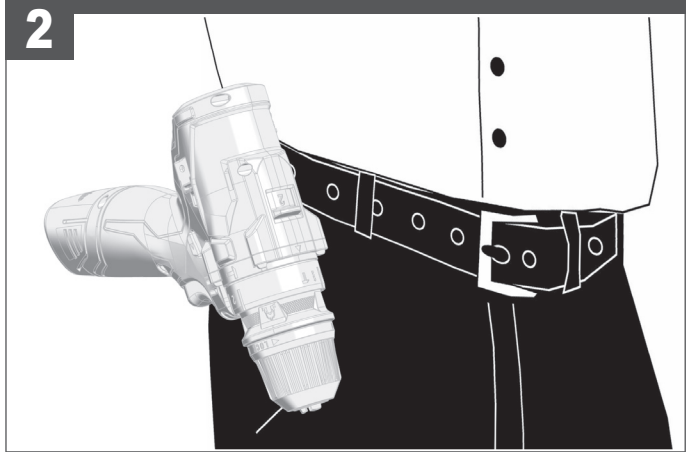
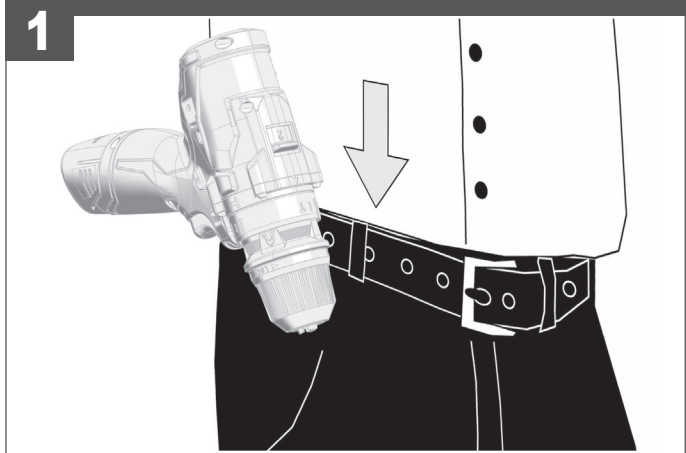
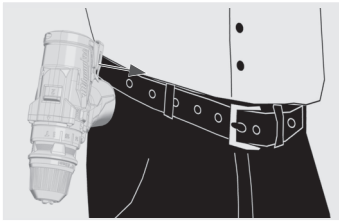
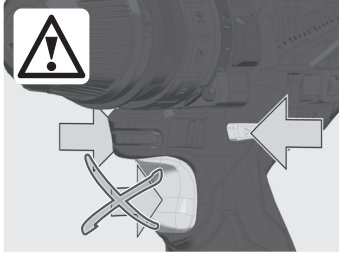
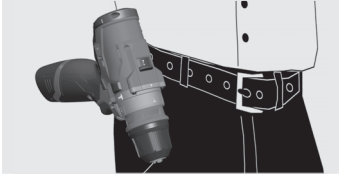
LOCK











Drilling capacity in steel	13 mm
Drilling capacity in wood	35 mm
Drilling capacity in brick and tile	13 mm
Wood screws (without pre-drilling)	8 mm
No-load speed 1st gear	0-450 min ⁻¹
No-load speed 2nd gear	0-1700 min ⁻¹
Impact rate 1st gear	0-6750 min ⁻¹
Impact rate 2nd gear	0-25500 min ⁻¹
Torque with battery (1.5 Ah / 2.0 Ah) *1	37 Nm
Torque with battery (3.0 Ah / 4.0 Ah) *1	44 Nm
Torque with battery (6.0 Ah) *1	46 Nm
Battery voltage.....	12 V
Drill chuck range.....	1,5-13 mm
Weight according EPTA-Procedure 01/2003 (1.5 Ah / 2.0 Ah).....	1.24 kg
Weight according EPTA-Procedure 01/2003 (3.0 Ah / 4.0 Ah / 6.0 Ah).....	1.47 kg

Noise/vibration information

Measured values determined according to EN 60 745.

Typically, the A-weighted noise levels of the tool are:

Sound pressure level (Uncertainty K=3dB(A))	89 dB (A)
Sound power level (Uncertainty K=3dB(A)).....	100 dB (A)

Always wear ear protectors!

Total vibration values (vector sum in the three axes) determined according to EN 60745.

Vibration emission value a _v	
Percussion drilling into concrete a _{h,D}	15.73 m/s ²
Uncertainty K=	1.5 m/s ²
Drilling into metal a _{h,D}	1.92 m/s ²
Uncertainty K=	1.5 m/s ²
Screwing a _{v,s}	0.86 m/s ²
Uncertainty K=	1.5 m/s ²

*1 Measured according to MILWAUKEE® standard N 877318

WARNING

The vibration emission level given in this information sheet has been measured in accordance with a standardised test given in EN 60745 and may be used to compare one tool with another. It may be used for a preliminary assessment of exposure.

The declared vibration emission level represents the main applications of the tool. However if the tool is used for different applications, with different accessories or poorly maintained, the vibration emission may differ. This may significantly increase the exposure level over the total working period.

An estimation of the level of exposure to vibration should also take into account the times when the tool is switched off or when it is running but not actually doing the job. This may significantly reduce the exposure level over the total working period.

Identify additional safety measures to protect the operator from the effects of vibration such as: maintain the tool and the accessories, keep the hands warm, organisation of work patterns.

⚠ WARNING Read all safety warnings and all instructions. Failure to follow the warnings and instructions may result in electric shock, fire and/or serious injury.

Save all warnings and instructions for future reference.

⚠ DRILL SAFETY WARNINGS

Wear ear protectors when impact drilling. Exposure to noise can cause hearing loss.

Hold power tool by insulated gripping surfaces, when performing an operation where the cutting accessory may contact hidden wiring. Cutting accessory contacting a "live" wire may make exposed metal parts of the power tool "live" and could give the operator an electric shock.

⚠ SCREWDRIVER SAFETY WARNINGS

Hold power tool by insulated gripping surfaces, when performing an operation where the fastener may contact hidden wiring. Fasteners contacting a "live" wire may make exposed metal parts of the power tool "live" and could give the operator an electric shock.

ADDITIONAL SAFETY AND WORKING INSTRUCTIONS

Use protective equipment. Always wear safety glasses when working with the machine. The use of protective clothing is recommended, such as dust mask, protective gloves, sturdy non-slip footwear, helmet and ear defenders.

The dust produced when using this tool may be harmful to health. Do not inhale the dust. Wear a suitable dust protection mask.

Do not machine any materials that present a danger to health (e.g. asbestos).

Switch the device off immediately if the tool stalls! Do not switch the device on again while the tool is stalled, as doing so could trigger a sudden recoil with a high reactive force. Determine why the tool stalled and rectify this, paying heed to the safety instructions.

- The possible causes may be:
- the power tool is overloaded
 - drill bit is not straight in work piece

Do not reach into the product while it is running.

The drill bit will become hot during use.

Sawdust and splinters must not be removed while the machine is running. When working in walls ceiling, or floor, take care to avoid electric cables and gas or waterpipes.

Clamp your workpiece with a clamping device. Unclamped workpieces can cause severe injury and damage.

Remove the battery pack before starting any work on the machine.

Do not dispose of used battery packs in the household refuse or by burning them. MILWAUKEE® Distributors offer to retrieve old batteries to protect our environment.

Do not store the battery pack together with metal objects (short circuit risk).

Use only M12® chargers for charging M12® battery packs. Do not use battery packs from other systems.

Never break open battery packs and chargers and store only in dry rooms. Keep dry at all times.

Battery acid may leak from damaged batteries under extreme load or extreme temperatures. In case of contact with battery acid wash it off immediately with soap and water. In case of eye contact rinse thoroughly for at least 10 minutes and immediately seek medical attention.

SPECIFIED CONDITIONS OF USE

The electronic battery hammer drill/ screwdriver may be used for drilling, percussion drilling, and driving screws. Do not use the product in any other way as stated for normal use.

ADDITIONAL BATTERY SAFETY WARNINGS

⚠ WARNING! To reduce the risk of fire, personal injury, and product damage due to a short circuit, never immerse your tool, battery pack or charger in fluid or allow a fluid to flow inside them. Corrosive or conductive fluids, such as seawater, certain industrial chemicals, and bleach or bleach-containing products, etc., can cause a short circuit.

BATTERIES

Battery packs which have not been used for some time should be recharged before use.

Temperatures in excess of 50°C (122°F) reduce the performance of the battery pack. Avoid extended exposure to heat or sunshine (risk of overheating).

The contacts of chargers and battery packs must be kept clean.

For an optimum life-time, the battery packs should be fully charged after use.

To obtain the longest possible battery life remove the battery pack from the charger once it is fully charged.

For battery pack storage longer than 30 days:

Store the battery pack where the temperature is below 27°C and away from moisture

Store the battery packs in a 30% - 50% charged condition
Every six months of storage, charge the pack as normal.

BATTERY PACK PROTECTION

In extremely high torque, binding, stalling and short circuit situations that cause high current draw, the tool will vibrate for about 2 seconds and then the tool will turn OFF.

To reset, release the trigger.

Under extreme circumstances, the internal temperature of the battery could become high. If this happens, the battery will shut down.

Allow the battery to cool and then place the battery on the charger to charge and reset it.

TRANSPORTING LITHIUM BATTERIES

Lithium-ion batteries are subject to the Dangerous Goods Legislation requirements.

Transportation of those batteries has to be done in accordance with local, national and international provisions and regulations.

- The user can transport the batteries by road without further requirements.
- Commercial transport of Lithium-Ion batteries by third parties is subject to Dangerous Goods regulations. Transport preparation and transport are exclusively to be carried out by appropriately trained persons.

When transporting batteries:

- Ensure that battery contact terminals are protected and insulated to prevent short circuit.
- Ensure that battery pack is secured against movement within packaging.
- Do not transport batteries that are cracked or leak.

Check with forwarding company for further advice.

MAINTENANCE

Use only MILWAUKEE® accessories and spare parts. Should components need to be replaced which have not been described, please contact one of our Milwaukee service agents (see our list of guarantee/service addresses).

Australia Toll Free Telephone Number: 1300 645 928

New Zealand Toll Free Telephone Number: 0800 279 624

or visit

www.milwaukeeetools.com.au/

www.milwaukeeetools.co.nz

SYMBOLS



CAUTION! WARNING! DANGER!



Remove the battery pack before starting any work on the machine.



Please read the instructions carefully before starting the machine.



Do not dispose electric tools, batteries/rechargeable batteries together with household waste material. Electric tools and batteries that have reached the end of their life must be collected separately and returned to an environmentally compatible recycling facility. Check with your local authority or retailer for recycling advice and collection point.



Regulatory Compliance Mark (RCM).

Product meets applicable regulatory requirements.

WARRANTY - AUSTRALIA AND NEW ZEALAND

Please refer to the Techtronic Industries Pty. Ltd. Warranty Terms and Conditions for *MILWAUKEE*® products and accessories which is supplied with the tool or kit. This warranty applies only to product purchased from an authorised *MILWAUKEE*® dealer in Australia or New Zealand.

AUSTRALIA AND NEW ZEALAND *MILWAUKEE*® SERVICE

MILWAUKEE® prides itself in producing a premium quality product that is Nothing But Heavy Duty®. Your satisfaction with our products is very important to us! If you encounter any problems with the operation of this tool, please contact your authorised *MILWAUKEE*® dealer or service centre.

For a list of *MILWAUKEE*® dealers, guarantee or service agents please contact *MILWAUKEE*® Customer Service or visit our website.

(Australia Toll Free Telephone Number 1300 361 505)

(New Zealand Toll Free Telephone Number 0800 279 624)
or visit

www.milwaukeetools.com.au / www.milwaukeetools.co.nz.

Milwaukee Electric Tool Corporation

13135 West Lisbon Road, Brookfield, Wisconsin U.S.A. 53005

Milwaukee Tool (Australia)

21 Kelleets Road, Rowville, VIC 3178
Melbourne, Australia

Milwaukee Tool (New Zealand)

2 Landing Drive, Mangere
Auckland, 2022, New Zealand

Designed by Milwaukee Electric Tool Corp.

Professionally Made in Taiwan for Milwaukee Tool (Australia) / Milwaukee Tool (New Zealand)

Printed in Taiwan