



CABLE DRIVE™ ASSEMBLY FOR M18™ DRUM MACHINE

Cat. No.: 47-53-2816

IMPORTANT SAFETY INSTRUCTIONS

⚠WARNING TO REDUCE THE RISK OF INJURY, USER MUST READ OPERATOR'S MANUAL AND ALL LABELS FOR THIS ACCESSORY, THE TOOL, AND THE BATTERY. Failure to follow all instructions listed below may result in electric shock, fire and/or serious injury. SAVE THESE INSTRUCTIONS - THIS OPERATOR'S MANUAL CONTAINS IMPORTANT SAFETY AND OPERATING INSTRUCTIONS.

• Use latex or rubber gloves inside the gloves recommended by the manufacturer, goggles, face shields, protective clothing, and respirator when chemicals, bacteria and other toxic or infectious substances are suspected to be in a drain line. Drains may contain chemicals, bacteria, and other substances that may cause burns, be toxic or infectious or may result in other serious personal injury.

• Only use cables that range between 9.5 mm (3/8") and 12.7 mm (1/2").

• Cable tip may be sharp.

FUNCTIONAL DESCRIPTION

Figure 1

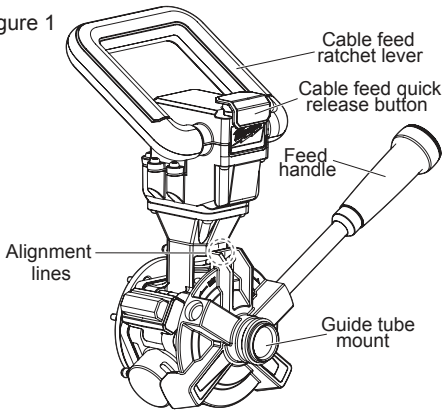


Figure 2

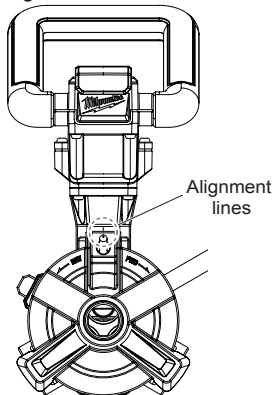
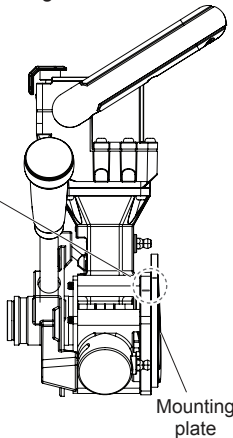


Figure 3



SPECIFICATIONS

For use with M18 BCDM
Compatible with MILWAUKEE®
cables.....48532776
.....48532777
.....48532778

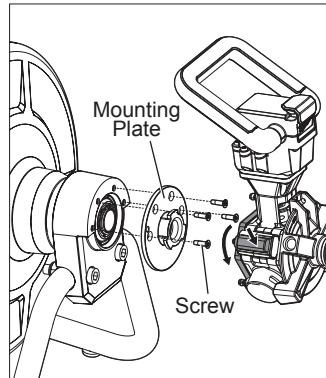
ASSEMBLY

⚠WARNING Always remove battery pack before changing or removing accessories. Only use accessories specifically recommended for this tool. Others may be hazardous.

Installing the Mounting Plate

Inspect mounting plate and Cable Drive™ Assembly before use.

1. Remove battery pack.
2. Remove Cable Accessory from cable - Refer to Brushless Compact Drum Machine manual .
3. Remove mounting plate from the Cable Drive™ Assembly.
4. Remove the Cable Drive™ Assembly from the cable. Refer to the Brushless Compact Drum Machine manual.
5. Remove mounting plate from the Cable Drive™ Assembly by rotating plate anti-clockwise.
6. Align mounting plate to the four screws holes on the front of the drum attachment block.
7. Use the four T20 screws and fasten mounting plate to the front of the drum attachment block using a T20 bit.
8. The mounting plate is now ready for the Cable Drive™ Assembly.



Installing the Cable Drive™ Assembly onto the Mounting Plate

1. Align the attachment to the mounting plate using the two alignment lines shown in figure 3.
2. Press the Cable Drive™ Assembly flush against the mount.
3. Rotate the attachment clockwise until it clicks.
4. The Cable Drive™ Assembly attachment is now ready to use.

OPERATION

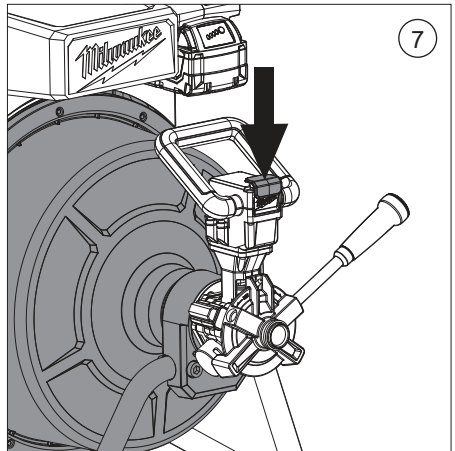
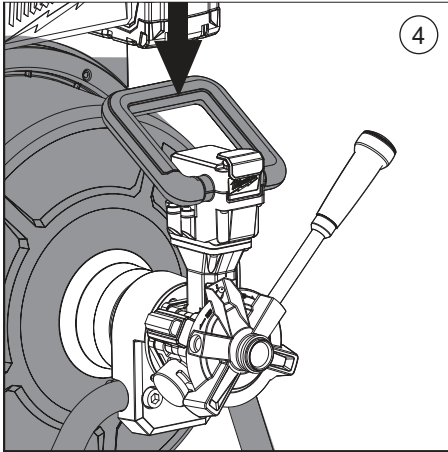
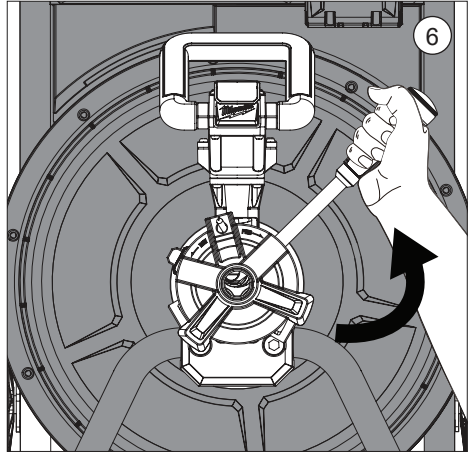
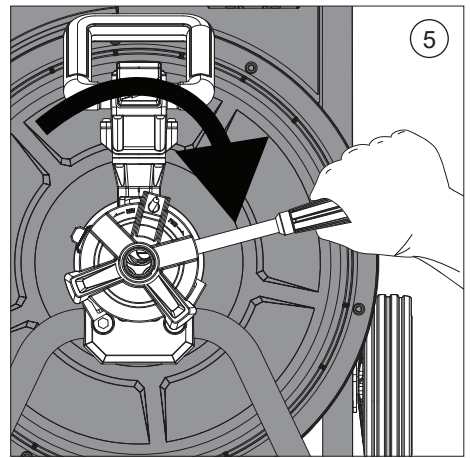
WARNING To reduce the risk of injury, wear safety goggles or glasses with side shields. Use latex or rubber gloves inside the gloves recommended by the manufacturer to avoid entanglement. Cable tip may be sharp.

Using the Cable Feed Assembly

The cable feed can be used to assist in advancing and retrieving the cable.

To use the cable feed:

1. Insert the battery pack.
2. Ensure the alignment lines as shown in figure 2 are aligned. This will disengage the cable advancement function.
3. Move the Forward/OFF/Reverse switch to Forward ↓
4. Use the foot pedal to start the drum.
5. To engage the cable feed, press the cable feed ratchet lever down.
NOTE: Do not over-press the lever arm. Flexible cable requires less force to feed the cable while stiff cable requires more force to feed the cable.
6. To **advance** the cable, push the cable feed handle clockwise → The further the handle is pushed, the faster the cable will advance.
7. To **retract** the cable, push the cable feed handle anti-clockwise ← The further the handle is pushed, the faster the cable will retract.
8. To **stop** the cable from advancing or retracting, disengage the cable feed by pressing the quick release button. Move the cable feed ratchet lever to the centre to slow/stop the cable.



MAINTENANCE

⚠WARNING

To reduce the risk of injury, always unplug the charger and remove the battery pack from the charger or tool before performing any maintenance. Never disassemble the tool, battery pack or charger. Contact a MILWAUKEE® service facility for ALL repairs.

Maintaining Tool

Keep your tool in good repair by adopting a regular maintenance program. Return the tool to a MILWAUKEE® service facility for repair.

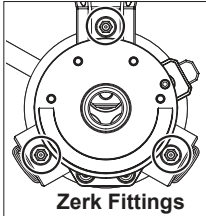
Cleaning

Clean dust and debris from vents. Keep handles clean, dry and free of oil or grease. Use only mild soap and a damp cloth to clean, since certain cleaning agents and solvents are harmful to plastics and other insulated parts. Some of these include petrol, turpentine, lacquer thinner, paint thinner, chlorinated cleaning solvents, ammonia and household detergents containing ammonia. Never use flammable or combustible solvents around tools.

Greasing the Cable Feed

Apply grease to the cable feed after each use.

1. Remove battery pack.
2. Press the quick release button.
3. Push the cable feed handle to the maximum retract position ←
4. Apply bearing grease to the upper Zerk fitting, sufficiently covering the fitting.
5. Press the cable feed ratchet lever down.
6. Push the cable feed handle to the maximum feed position →
7. Apply bearing grease to the two lower Zerk fittings, sufficiently covering the fittings.

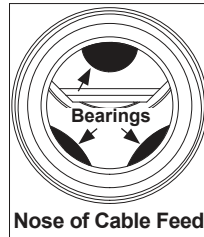


Zerk Fittings

Oiling the Cable Feed Bearings

Keep all exposed, moving, and rotating parts cleaned and properly oiled after each use.

1. Remove battery pack.
2. Press the quick release button.
3. Use a hose to clean out the cable feed with clean water to remove contaminants. Drain the drum completely by removing the drum plug.
4. Move the cable feed handle to the maximum retract position ← and apply a penetrating oil into the nose of the cable feed directly onto all three bearings. Sufficiently cover the bearing seals.
5. Move the cable feed handle to the maximum feed position → and repeat.
6. Press the ratchet lever down and then feed and retract the cable 30-60 cm (1-2 feet) multiple times to work the oil around.
7. Repeat after each use.



Nose of Cable Feed

WARRANTY - AUSTRALIA and NEW ZEALAND

Please refer to Australian and New Zealand warranty supplied with tool. This warranty applies only to product sold by authorised dealers in Australia and New Zealand.

SERVICE - AUSTRALIA and NEW ZEALAND

MILWAUKEE® prides itself in producing a premium quality product that is Nothing But Heavy Duty™. Your satisfaction with our products is very important to us! If you encounter any problems with the operation of this tool, please contact your authorised **MILWAUKEE®** dealer.

For a list of **MILWAUKEE®** dealers, guarantee or service agents please contact **MILWAUKEE®** Customer Service or visit our website.

(Australia Toll Free Telephone Number 1300 645 928)

(New Zealand Toll Free Telephone Number 0800 645 928)

or visit milwaukeetool.com.au/milwaukeetool.co.nz.

Milwaukee Electric Tool Corporation

13135 West Lisbon Road, Brookfield, Wisconsin U.S.A. 53005

Milwaukee Tool (Australia)

21 Kelletts Road, Rowville, VIC 3178
Melbourne, Australia

Milwaukee Tool (New Zealand)

274 Church Street, Penrose,
Auckland, 1061, New Zealand

DESIGNED BY MILWAUKEE ELECTRIC TOOL CORP.
PROFESSIONALLY MADE IN CHINA
PRINTED IN CHINA