



INTERNAL RECHARGEABLE TASK LIGHT

500 LUMEN

Cat. no.: IR TL500

IMPORTANT SAFETY INSTRUCTIONS

WARNING READ AND UNDERSTAND ALL INSTRUCTIONS. Failure to follow all instructions listed below, may result in electric shock, fire and/or serious personal injury.

SAVE THESE INSTRUCTIONS

- 1. SAVE THESE INSTRUCTIONS** – This manual contains important safety and operating instructions.
- 2. Avoid dangerous environments.** Do not expose to rain, moisture, snow, damp, or wet locations. Do not use or charge in the presence of explosive atmospheres (gaseous fumes, dust, or flammable materials). Sparks may be generated, possibly causing fire.
- 3. Only charge in a well ventilated area and within the Recommended Ambient Charging Temperature range.** Do not block vents; keep them clear for proper ventilation. Do not allow smoking or open flames near a charging battery. Vented gases may explode.
- 4. Use only with suitable power supply.**
- 5. Maintain charger cord.** Pull plug rather than cord to unplug. Never carry charger by its cord. Keep cord from heat, oil and sharp edges. Ensure cord will not be stepped on, tripped over, damaged, or stressed. Do not use charger with damaged cord or plug. Have damaged charger replaced immediately.
- 6. Always unplug before cleaning or maintenance.** Do not allow water to flow into AC/DC plug.
- 7. Do not burn, incinerate, or expose batteries to fire or excessive temperatures above 130°C (265°F).** Batteries may explode. Toxic fumes and materials are created when batteries are burned.
- 8. Do not crush, drop, shred, modify, or damage battery. Always securely contain batteries during transport.** Do not use a battery that has received a sharp blow, been dropped, run over, or damaged in any way (e.g., pierced with a nail, hit with a hammer, stepped on). Do not use or charge batteries that appear damaged or swollen, or are not functioning properly. Damaged or modified batteries may exhibit unpredictable behavior.
- 9. Do not disassemble or attempt to repair batteries or chargers. No internal serviceable parts.** Take batteries/chargers that have been damaged, broken, or need repair to a MILWAUKEE® service facility to ensure the safety of the product is maintained.
- 10. Battery chemicals cause serious burns.** Never allow contact with skin, eyes, or mouth. If a damaged battery leaks battery chemicals, use rubber or neoprene gloves to dispose of it. If skin is exposed to battery fluids, wash with soap and water and rinse with vinegar. If eyes are exposed to battery chemicals, immediately flush with water for 20 minutes and seek medical attention.
- 11. Do not short circuit.** A short-circuited battery pack may cause fire, personal injury, and product damage. A battery pack will short circuit if a metal object makes a connection between the positive and negative contacts on the battery pack. Do not place a battery pack near anything that may cause a short circuit (e.g., coins, keys, nails, or small metal objects in a pocket, toolbox, or drawer).
- 12. Do not allow fluids to flow into battery.** Corrosive or conductive fluids, such as seawater, certain industrial chemicals, and bleach or bleach-containing products, etc., can cause a short circuit. Do not use batteries that have been exposed to these types of fluids.
- 13. Store the battery and charger in a cool, dry place.** Do not store where temperatures may exceed 50°C (120°F) such as in direct sunlight, a vehicle, or metal building during the summer.
- 14. This appliance is not intended for use by persons (including children) with reduced physical, sensory or mental capabilities, or lack of experience and knowledge, unless they have been given supervision or instruction concerning use of the appliance by a person responsible for their safety.**
- 15. Children should be supervised to ensure that they do not play with the appliance.**
- 16. Know your light.** Read this manual carefully to learn your light's applications and limitations as well as potential hazards associated with this type of light.
- 17. Not for fall protection.** Clip is for mounting/securing light only; do not use for climbing or hanging other objects.
- 18. Maintain labels and nameplates.** These carry important information. If unreadable or missing, contact a MILWAUKEE® service facility for a replacement.

ADDITIONAL BATTERY SAFETY RULES

1. Ensure that the luminaire does not cause harm if its magnet fails to keep it in position.
2. Ensure the magnetic base of luminaire was magnetic forced on stable placed magnetic metal.
3. Do not use this product in any other way as stated for normal use.
4. The instructions for class III appliances shall state that it must only be supplied at safety extra low voltage corresponding to the marking on the appliance.

ADDITIONAL BATTERY SAFETY RULES

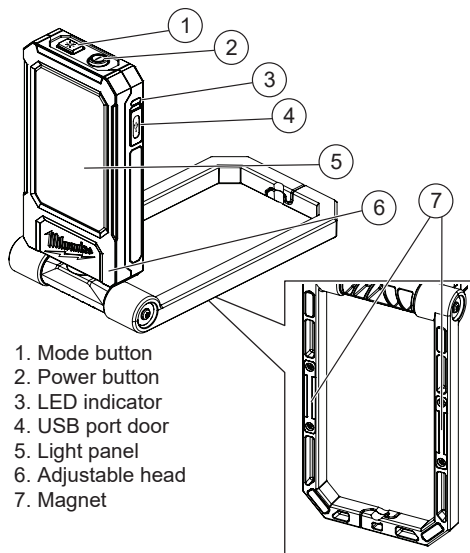
⚠WARNING To reduce the risk of fire, personal injury, and product damage due to a short circuit, never immerse your tool, battery pack or charger in fluid or allow a fluid to flow inside them. Corrosive or conductive fluids, such as seawater, certain industrial chemicals, and bleach or bleach-containing products, etc., can cause a short circuit.

⚠WARNING Do not charge non-rechargeable batteries.

SPECIFICATIONS

Cat. No.	IR TL500
USB Input Volts	5 V DC
USB Input Amps	3.0 A max
Lumens	500
Rated power	4 W
Rated volt	3.83 V DC
Operating Temperature	
Battery and Charger	0°C to 60°C
Battery and Tool	-20°C to 60°C
Ingress Protection Rating	IP54

FUNCTIONAL DESCRIPTION



1. Mode button
2. Power button
3. LED indicator
4. USB port door
5. Light panel
6. Adjustable head
7. Magnet

SYMBOLOLOGY



Volts



Direct Current



Amps



Do not stare at the operating light source.



Read Operator's Manual



Universal Serial Bus Type-C (USB-C)



Ingress protection rating



This product was only suitable for indoor use. Never expose the charger to rain.



Class III appliance



Regulatory Compliance mark (RCM). This product meets applicable regulatory requirements.

BATTERY

⚠WARNING This appliance contains batteries that are non-replaceable.

⚠WARNING To reduce the risk of injury or explosion, never burn or incinerate a battery pack even if it is damaged, dead or completely discharged. When burned, toxic fumes and materials are created.

Disposing of MILWAUKEE® Li-Ion Battery

MILWAUKEE® Li-Ion batteries are more environmentally friendly than some other types of power tool batteries. Always dispose of your battery according to federal, state and local regulations. Contact a recycling agency in your area for recycling locations.

Even discharged batteries contain some energy. Before disposing, use electrical tape to cover the terminals to prevent the battery from shorting, which could cause a fire or explosion.

LIGHT

Charging the Battery

1. Plug your USB cable into a power source such as an AC wall adaptor, computer or car port. Charge rates may vary depending on the power source's maximum output.
2. Lift the rubber cover to expose the USB-C port. Insert the USB-C plug into the USB-C port.
3. The indicator light will display the charging status:

Red Pulsing: Charging, 0-49%

Yellow Pulsing: Charging, 50-99%



Green Solid: Charging 100%

Red/Green Flashing: Cold, Wet, Faulty, No Battery, or Over Temperature (too hot)

If the light indicator flashes red and green, the battery may be cold, wet, faulty, or the battery did not fully charge after 12 hours. If the light continues to flash red and green, the battery may be extremely hot or cold, or wet. Allow the battery to cool down, warm up, or dry out and then reinsert. If the problem persists, contact a *MILWAUKEE*® service facility.

Operation

CAUTION To reduce the risk of injury, do not stare at the operating light source. To avoid damage/discoloration to surfaces due to high temperatures, do not set the light lens-down.

Press the power button  to turn the light on and off. Use the beam  intensity button to cycle through the light intensities. The light will flash when the battery is low. The indicator light will display the battery life:

Green Solid: 50-100% remaining

Yellow Solid: 10-49% remaining

Red Solid: 4-9% remaining

Red Flashing: 0-3% remaining

During use, when the battery drops to 3%, the main LED and charge indicator will flash, indicating up to 5 minutes of runtime remains. Prior to immediate shutdown, the main LED will flash 3 times, then the tool will shutdown. Remaining runtime may be less than 5 minutes if the light is turned on when battery capacity is already 0-3%.

Overtemperature condition:

The light will enter a lower output to reduce flashlight temperature.

MAINTENANCE

WARNING To reduce the risk of injury, always unplug product and remove from the charger before performing any maintenance. Never disassemble the tool, battery pack or charger. Contact a *MILWAUKEE*® service facility for ALL repairs.

Maintaining Tool

WARNING The light source of this luminaire is not replaceable; when the light source reaches its end of life the whole luminaire shall be replaced.

Keep the tool, battery pack and charger in good repair by adopting a regular maintenance program. Return the tool, battery pack, and charger to a *MILWAUKEE*® service facility for repair.

WARNING To reduce the risk of injury and damage, never immerse your battery or charger in liquid or allow a liquid to flow inside them.

Cleaning

Clean dust and debris from vents. Keep handles clean, dry and free of oil or grease. Use only mild soap and a damp cloth to clean, since certain cleaning agents and solvents are harmful to plastics and other insulated parts. Some of these include petrol, turpentine, lacquer thinner, paint thinner, chlorinated cleaning solvents, ammonia and household detergents containing ammonia. Never use flammable or combustible solvents around tools.

Repairs

This tool has limited serviceable parts including a non-replaceable battery pack. Do not open housing or disassemble tool. For repairs, return the tool, battery pack and charger to the nearest authorised service centre. The light source of this luminaire is not replaceable; when the light source reaches its end of life the whole luminaire shall be replaced.

WARRANTY - AUSTRALIA and NEW ZEALAND

Please refer to Australian and New Zealand warranty supplied with tool. This warranty applies only to product sold by authorised dealers in Australia and New Zealand.

SERVICE - AUSTRALIA and NEW ZEALAND

MILWAUKEE® prides itself in producing a premium quality product that is Nothing But Heavy Duty™. Your satisfaction with our products is very important to us! If you encounter any problems with the operation of this tool, please contact your authorised **MILWAUKEE®** dealer.

For a list of **MILWAUKEE®** dealers, guarantee or service agents please contact **MILWAUKEE®** Customer Service or visit our website.

(Australia Toll Free Telephone Number 1300 645 928)

(New Zealand Toll Free Telephone Number 0800 645 928)

or visit milwaukeetool.com.au/milwaukeetool.co.nz.

Milwaukee Electric Tool Corporation

13135 West Lisbon Road, Brookfield, Wisconsin U.S.A. 53005

Milwaukee Tool (Australia)

26 - 40 Nina Link, Dandenong South,
Victoria, 3175, Australia

Milwaukee Tool (New Zealand)

274 Church Street, Penrose,
Auckland, 1061, New Zealand

DESIGNED BY MILWAUKEE ELECTRIC TOOL CORP.

PROFESSIONALLY MADE IN CHINA

PRINTED IN CHINA