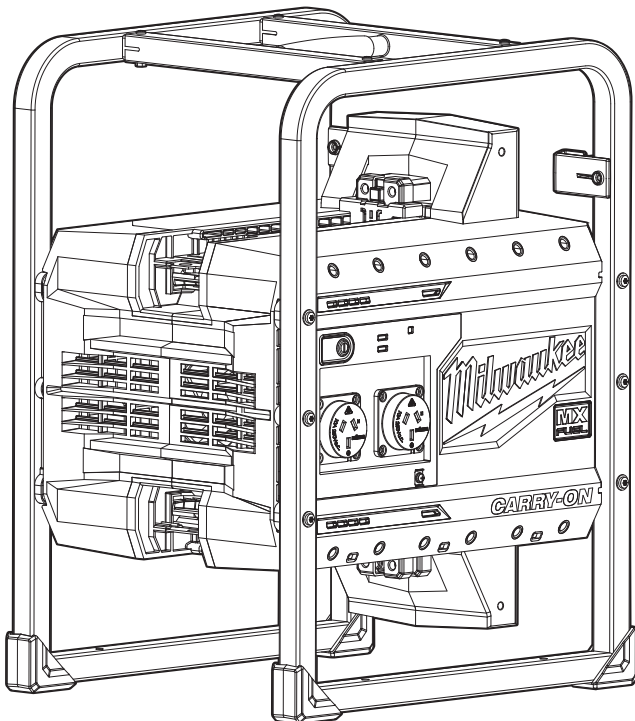





OPERATOR'S MANUAL



Cat. No.
MXF PS

MX FUEL™ POWER SUPPLY

 **WARNING**

 To reduce the risk of injury, user must read and understand operator's manual.

IMPORTANT SAFETY INSTRUCTIONS

WARNING Read all safety warnings and all instructions. Failure to follow the warnings and instructions may result in electric shock, fire and/or serious injury. Save all warnings and instructions for future reference.

WORK AREA SAFETY

• **To reduce the risk of injury, close supervision is necessary** when an appliance is used near children.

ELECTRICAL SAFETY

- **Power cord plugs must match the outlet. Never modify the plug in any way. Do not use any adapter plugs with earthed (grounded) power tools.** Unmodified plugs and matching outlets will reduce risk of electric shock.
- **Avoid body contact with earthed or grounded surfaces, such as pipes, radiators, ranges and refrigerators.** There is an increased risk of electric shock if your body is earthed or grounded.
- **To reduce the risk of electric shock, do not put equipment in water or other liquid.** Do not place or store appliance where it can fall or be pulled into a tub or sink.
- **Do not abuse the cord. Never use the cord for carrying, pulling or unplugging the power tool. Keep cord away from heat, oil, sharp edges or moving parts.**
- **Arrange cords carefully to avoid hazardous environments.** Tripping or snagging on cords can cause injury and product damage. Do not allow cords to run through puddles or across wet ground.
- **Do not unplug by pulling on the cord.** To unplug, grasp the plug, not the cord.
- **Unplug the cord from outlet when not in use and before servicing or cleaning.**
- **Always use a suitable extension cord to reduce the risk of electric shock.**
- **If operating a equipment in a damp location is unavoidable, use a residual current device (RCD) protected supply.** Use of a RCD reduces the risk of electric shock.

PERSONAL SAFETY

- **Do not overreach. Keep proper footing and balance at all times.** This enables better control of the Power Supply in unexpected situations.
- **Do not use on a ladder or unstable support.** Stable footing on a solid surface enables better control of the Power Supply in unexpected situations.

BATTERY TOOL USE AND CARE

- **Recharge only with the charger specified by the manufacturer.** A charger that is suitable for one type of battery pack may create a risk of fire when used with another battery pack.
- **Use Power Supply only with specifically designated battery packs.** Use of any other battery packs may create a risk of injury and fire.
- **Do not short circuit.** A short-circuited battery pack may cause fire, personal injury, and product damage. A battery pack will short circuit if a metal object makes a connection between the positive and negative contacts on the battery pack. Do not place a battery pack near anything that may cause a short circuit, such as coins, keys or nails in your pocket.

- **Do not allow fluids to flow into battery pack.** Corrosive or conductive fluids, such as seawater, certain industrial chemicals, and bleach or bleach containing products, etc., can cause a short circuit.
- **Under abusive conditions, liquid may be ejected from the battery; avoid contact. If contact accidentally occurs, flush with water. If liquid contacts eyes, additionally seek medical help.** Liquid ejected from the battery may cause irritation or burns.
- **Do not use a battery pack or equipment that is damaged or modified.** Damaged or modified batteries may exhibit unpredictable behaviour resulting in fire, explosion or risk of injury.
- **Do not expose a battery pack or equipment to fire or excessive temperature.** Exposure to fire or temperature above 130°C (265°F) may cause explosion.
- **Follow all charging instructions and do not charge the battery pack or equipment outside the temperature range specified in the instructions.** Charging improperly or at temperatures outside the specified range may damage the battery and increase the risk of fire.

CHARGER USE AND CARE

- **CAUTION** To reduce the risk of injury, charge only in their **MILWAUKEE® Lithium-Ion packs** only in their **MILWAUKEE® Lithium-Ion charger**. Other types of batteries may burst causing personal injury and damage. Do not wire a battery pack to a power supply plug or car cigarette lighter. Batteries will be permanently disabled or damaged.
- **Charge only MILWAUKEE® MX FUEL™ Lithium-Ion packs.** Other types of batteries may burst causing personal injury or damage.
- **Avoid dangerous environments.** Do not charge battery pack in rain, snow, damp or wet locations. Do not use battery pack or charger in the presence of explosive atmospheres (gaseous fumes, dust or flammable materials) because sparks may be generated when inserting or removing battery pack, possibly causing fire.
- **Charge in a well ventilated area.** Do not block charger vents. Keep them clear to allow proper ventilation. Do not allow smoking or open flames near a charging battery pack. Vented gases may explode.
- **Maintain charger cord.** When unplugging charger, pull plug rather than cord to reduce the risk of damage to the electrical plug and cord. Never carry charger by its cord. Keep cord from heat, oil and sharp edges. Make sure cord will not be stepped on, tripped over or subjected to damage or stress. Do not use charger with damaged cord or plug. Have a damaged charger replaced immediately.
- **Use only recommended attachments.** Use of an attachment not recommended or sold by the battery charger or battery pack manufacturer may result in a risk of fire, electric shock or personal injury.
- **Unplug charger** when not in use. Remove battery packs from unplugged chargers.
- **To reduce the risk of electric shock, always unplug charger before cleaning or maintenance.** Do not allow water to flow into plug. Use a residual current device (RCD) to reduce shock hazards.
- **Store your battery and charger** in a cool, dry place. Do not store battery pack where temperatures may exceed 50°C (120°F) such as in direct sunlight, a vehicle or metal building during the summer.

SERVICE

- **Have your Power Supply serviced by a qualified repair person using only identical replacement parts.** This will ensure that the safety of the Power Supply is maintained.
- **Never service damaged battery packs.** Service of battery packs should only be performed by the manufacturer or authorised service providers.

SPECIFIC SAFETY RULES

- **This equipment has arcing or sparking parts which should not be exposed to flammable vapours.** Locate equipment at least 450 mm (18") above the floor when used in a repair facility.
- **The output of this unit is potentially lethal. The unit should not be connected to a fixed electrical installation except by an appropriately licensed person.**
- **Do not expose to rain.**
- **For indoor use or temporary outdoor use. Exercise reasonable care when using in wet conditions. Do not allow liquid to enter batteries.**
- **Connect only to properly grounded outlets.**
- **Do not use if the cord or batteries are damaged in any way.**
- **Use a suitable extension cord if needed. Keep cords dry and off the ground; use a RCD protected circuit while charging.**
- **Store indoors.**
- **Do not operate multiple power supplies in parallel.**
- **Ensure unit is located at least 1m away from any other structures or obstructions to allow required air flow around unit.**
- **Do not connect the output of the Power Supply to an existing installation's electrical system.**
- **The Power Supply ground terminal is connected to the ground terminals of each supply outlet. Before using the ground terminal, consult a suitably qualified electrical worker.**
- **The power supply is isolated from the frame and from the AC outlets earthing connection.**
- **Do not exceed the load rating of the Power Supply. Be mindful of the individual and accumulative electrical load of all connected devices. Exceeding the load capacity of the Power Supply could result in overheating, fire, electrical shock, or injury.**
- **Do not overload the Power Supply's capacity. Exceeding the Power Supply's wattage/ampereage capacity may damage the Power Supply and/or electrical devices connected to it.**
- **Devices may require more power than the Power Supply is capable of supplying. Check with the device's user guide or manufacturer to confirm the maximum load required prior to connecting the device to the Power Supply to ensure the Power Supply can provide the required power.**
- **Always follow all safety rules recommended by the manufacturer of devices to be connected.**
- **Do not use this Power Supply to provide power for emergency medical equipment or life support devices.**
- **Never leave the Power Supply unattended while in use.**

- **Know your Power Supply.** Read this operator's manual carefully. Learn its applications and limitations, as well as the specific potential hazards related to this product. Do not alter or modify the Power Supply from the original design or function. Misuse and improper handling can cause injury.
- **Always use common sense and be cautious when using tools.** It is not possible to anticipate every situation that could result in a dangerous outcome. Do not use this unit if you do not understand these operating instructions or you feel the work is beyond your capability; contact MILWAUKEE® Tool or a trained professional for additional information or training.
- **Maintain labels and nameplates.** These carry important information. If unreadable or missing, contact a MILWAUKEE® service facility for a replacement.

ADDITIONAL BATTERY SAFETY RULES

AWARNING To reduce the risk of fire, personal injury, and product damage due to a short circuit, never immerse your tool, battery pack or charger in fluid or allow a fluid to flow inside them. Corrosive or conductive fluids, such as seawater, certain industrial chemicals, and bleach or bleach-containing products, etc., can cause a short circuit.

AWARNING Do not charge non-rechargeable batteries.

INSTALLATION

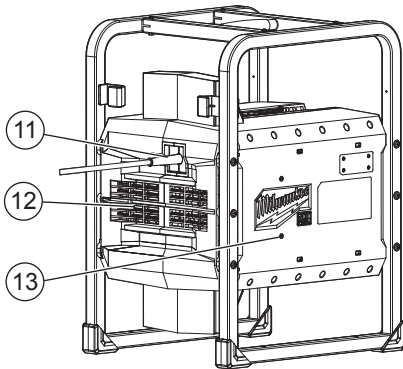
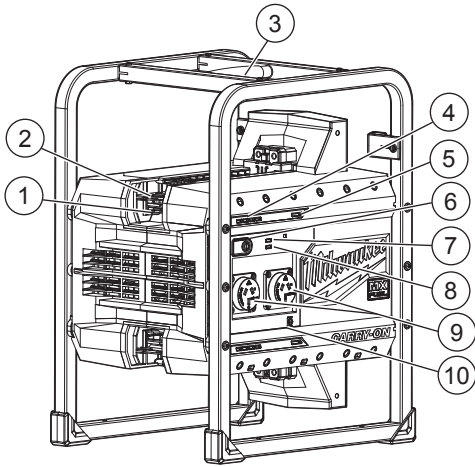
EARTHING

ADANGER Improperly connecting the earthing wire can result in the risk of electric shock. Check with a qualified electrical worker if you are in doubt as to the suitability of the Power Supply for your specific use. Do not modify the inlet or outlets provided with the equipment. Never remove the earthing pin from the plug. Do not use the equipment if the cord or plug is damaged. If damaged, have it repaired by a MILWAUKEE® service facility before use. If the plug will not fit the outlet, have a proper outlet installed by a qualified electrician.

SPECIFICATIONS

Cat. No.	MXF PS
Battery Type	MX FUEL™
Charger Type.....	MX FUEL™
Rated Input Voltage	220-240V AC
Rated Input Amps.....	2.2 A
Rated Output Voltage (Charger).....	72 V DC
Rated Output Amps (Charger).....	4.5 A DC
Rated Output (Outlets)	
Peak Watts	3600 W
Continuous Watts	1800 W
Voltage.....	230 V
Rated Frequency	50 Hz
Recommended Ambient	
Charging Temperature.....	5°C to 40°C

FUNCTIONAL DESCRIPTION



1. Battery latch lever
2. Battery lock ring
3. Carry handle
4. Fuel gauge
5. Battery charging status / charger indicator
6. Arm button
7. Overload indicator
8. Over temperature indicator
9. AC outlets
10. Bonding terminal
11. AC input
12. Fan vents
13. M12™/M18™ charger screw mounts

SYMBOLOLOGY

- Volts
- Direct Current
- Alternating Current
- Amps
- Hertz
- Read operator's manual
- WARNING** Risk of Electric Shock
- Overload indicator
- Over-temperature indicator
- Regulatory Compliance Mark (RCM). This product meets applicable regulatory requirements.
- Double insulated

Do not dispose of electric tools together with household waste material. Electric tools and electronic equipment that have reached the end of their life must be collected separately and returned to an environmentally compatible recycling facility.



ASSEMBLY

WARNING Recharge only with the charger specified for the battery. For specific charging instructions, read the operator's manual supplied with your charger and battery.

Removing/Inserting the Battery

To **remove** the battery, push the battery latch lock to the side and squeeze the battery latch lever. Pull the battery pack away from the machine.

To **insert** the battery, slide the pack into the body of the machine. Make sure it latches securely into place.

GENERAL OPERATION

Power Supply Capacity

Make sure the Power Supply can supply enough continuous (running) and surge (starting) watts for the items being powered at the same time.

1. Select the items to be powered at the same time.
2. Total the continuous (running) watts of these items. This is the amount of power the Power Supply must produce to keep the items running.

- Estimate how many surge (starting) watts will be needed. Surge wattage is the short burst of power needed to start electric motor-driven tools or appliances such as a circular saw. Because not all motors start at the same time, total surge watts can be estimated by adding only the item(s) with the highest additional surge watts to the total rated watts from step 2.

Power Management

To prolong the life of the Power Supply and attached devices, it is important to take care when adding electrical loads to the Power Supply. There should be nothing connected to the Power Supply outlets before starting the Power Supply. The correct and safe way to manage Power Supply power is to sequentially add loads, as follows:

- With nothing connected to the Power Supply, start the unit (see "Arming the Machine").
- Plug in and turn on the first load, preferably the largest load.
- Allow the Power Supply output to stabilise (power supply runs smoothly and attached device operates properly).
- Plug in and turn on the next load.
- Again, permit the Power Supply to stabilise.
- Never add more load than the Power Supply capacity. Take special care to consider surge loads in Power Supply capacity as previously described.

Arming the Machine

MX FUEL™ machines must be armed prior to use. Even with the battery pack inserted, functions will not operate until the machine is armed.

To arm the machine:

- Insert the battery pack.
- Press the Arm button. The MX FUEL™ icon will light and the LEDs are now operational.

NOTE: The internal fan will operate whenever the machine is in use.

- Press and hold the ARM button for 2 seconds to unarm (turn off) the machine. The MX FUEL™ icon will go off.

NOTE: The internal fan will continue to operate for a short time after the machine has been turned off.

Onboard Fuel Gauge LEDs and Alert Tones

Onboard Fuel Gauge LEDs display real-time battery levels for their respective MX FUEL™ battery. When the machine detects a low battery condition, a dead battery, an overload, or overtemp condition, the user will be alerted with an audible tone(s). Investigate the root cause of the tone(s) to continue use.

Overload and Overtemperature Conditions

When an overload or overtemperature condition occurs, the machine will produce a unique tone and the respective icon will light. Take the appropriate action, such as turning off or reducing the load on the machine, or allowing the machine to rest (cool down) before continuing use.

Cold Weather Operation

MILWAUKEE® Li-Ion battery packs are designed to operate in temperatures below freezing. The machine provides full power output 3600W/1800W down to -7°C (20°F). The machine provides a max output of 1000W in temperatures from -7°C to -20°C (20°F to -4°F). If 1000W is exceeded, an audible tone will be heard, and 1 LED will flash on the fuel gauge. Reset the machine and battery pack by plugging into AC power and removing/reinserting the battery.

ONE-KEY™

To learn more about the ONE-KEY™ functionality for this tool, go to <https://www.milwaukeetool.com.au/innovation/one-key/> To download the ONE-KEY™ app, visit the App Store or Google Play from your smart device.

ONE-KEY™ Indicator	
Solid Blue	Wireless mode is active and ready to be configured via the ONE-KEY™ app.
Blinking Blue	Tool is actively communicating with the ONE-KEY™ app.
Blinking Red	Tool is in security lockout and can be unlocked by the owner via the ONE-KEY™ app.

CHARGER OPERATION

WARNING Charge only **MILWAUKEE® MX FUEL™** Lithium-Ion batteries in this **MILWAUKEE®** Lithium-Ion charger. Other types of batteries may cause personal injury and damage.

When to Charge the Battery Pack

Remove the battery pack from the tool for charging when convenient for you and your job. **MILWAUKEE®** batteries do not develop a "memory" when charged after only a partial discharge. It is not necessary to run down the battery pack before placing it on the charger.

- Use the Fuel Gauge to determine when to charge your **MILWAUKEE®** Lithium-Ion battery pack.
- You can "Top-Off" your battery pack's charge before starting a big job or long day of use.
- The only time it is necessary to charge the **MILWAUKEE®** Lithium-Ion battery pack is when the battery pack has reached the end of its charge. To signal the end of charge, power to the tool will drop quickly, allowing you just enough power to finish making a cut, drilling a hole, or driving a fastener. Charge the battery pack as needed.

How to Charge the Battery Pack

Align the battery pack with the bay and slide the battery pack into the charger as far as possible. The red light will come on, either flashing quickly (battery pack or charger is too hot or cold), flashing slowly (communication between pack and charger) or continuous (pack is charging).

- When a battery pack is inserted into the charger, the LEDs will indicate the following:



Continuous red: Charging



Continuous green light: Charging is complete



Flashing red: Battery is too hot/cold
Charging will begin when battery reaches correct charging temperature



Flashing red/green: Damaged or faulty battery pack

- The next battery pack inserted in the charger will begin charging when the previous pack is fully charged.
- A fully discharged battery pack with an internal temperature in the normal range will charge in about 45 to 90 minutes, depending on the battery pack and internal temperature of the charger.
- Heavily cycled batteries may take longer to charge completely.
- The fuel gauge lights are displayed as the pack is being charged, indicating how fully charged the pack is. The fuel gauge will turn off when charging is complete.
- After charging is complete, the continuous green light will come on.
- The charger will keep the battery pack fully charged if it is left on the charger. The light indicator will be same as normal charging.

- If the light indicator flashes red and green, check that the battery pack is fully seated into the bay. Remove the battery pack and reinsert. If the light continues to flash red and green, remove pack(s) and unplug charger for at least 2 minutes. After 2 minutes, plug charger back in and insert pack. If the problem persists, contact a **MILWAUKEE®** service facility.

- If the light indicator does not come on, check that the battery pack is fully seated into the bay. Remove the battery pack and reinsert. If the light indicator still does not come on, remove pack(s) and unplug charger for at least 2 minutes. After 2 minutes, plug charger back in and insert pack. If after these attempts the light indicator still does not come on, contact a **MILWAUKEE®** service facility.

MAINTENANCE

WARNING To reduce the risk of injury, always unplug the tool and charger and remove the battery pack from the charger or tool before performing any maintenance. Never disassemble the tool, battery pack or charger. Contact a **MILWAUKEE®** service facility for ALL repairs. To reduce the risk of fire, personal injury, and product damage due to a short circuit, never immerse your tool, battery pack or charger in fluid or allow a fluid to flow inside them. Corrosive or conductive fluids, such as seawater, certain industrial chemicals, and bleach or bleach containing products, etc., can cause a short circuit.

Maintain Power Supply

Keep your Power Supply in good repair by adopting a regular maintenance program. If the Power Supply does not work properly, return the Power Supply to a **MILWAUKEE®** service facility for repairs.

ONE-KEY™

WARNING Chemical Burn Hazard. This device contains a lithium button/coin cell battery. A new or used battery can cause severe internal burns and lead to death in as little as 2 hours if swallowed or enters the body. Always secure the battery cover. If it does not close securely, stop using the device, remove the batteries, and keep it away from children. If you think batteries may have been swallowed or entered the body, seek immediate medical attention.



Internal Battery

An internal battery is used to facilitate full ONE-KEY™ functionality.

To replace the battery:

1. Remove the battery pack.
2. Remove the screw(s) and open the battery door.
3. Remove the old battery, keep it away from children, and dispose of it properly.
4. Insert the new battery (3V CR2032), with the positive side facing up.
5. Close the battery door and tighten the screw(s) securely.

⚠WARNING To reduce the risk of personal injury and damage, never immerse your tool, battery pack or charger in liquid or allow a liquid to flow inside them.

Cleaning

Clean dust and debris from vents. Keep handles clean, dry and free of oil or grease. Use only mild soap and a damp cloth to clean, since certain cleaning agents and solvents are harmful to plastics and other insulated parts. Do not use sprays or solvents. Some of these include gasoline, turpentine, lacquer thinner, paint thinner, chlorinated cleaning solvents, ammonia and household detergents containing ammonia. Never use flammable or combustible solvents around tools.

Cleaning the Battery and Battery Bay

Keep battery connections and surfaces between the machine and battery free of debris and materials. Failure to keep surfaces clean may result in misalignment and/or damage to the battery connection.

Repairs

For repairs, return the tool, battery pack and charger to the nearest authorised service centre.

ACCESSORIES

⚠WARNING Use only recommended accessories. Others may be hazardous.

For a complete listing of accessories, go online to www.milwaukeetool.com.au / www.milwaukeetool.co.nz or contact a distributor.

WARRANTY - AUSTRALIA and NEW ZEALAND

Please refer to Australian and New Zealand warranty supplied with tool. This warranty applies only to product sold by authorised dealers in Australia and New Zealand.

SERVICE - AUSTRALIA and NEW ZEALAND

MILWAUKEE® prides itself in producing a premium quality product that is Nothing But Heavy Duty™. Your satisfaction with our products is very important to us! If you encounter any problems with the operation of this tool, please contact your authorised **MILWAUKEE®** dealer.

For a list of **MILWAUKEE®** dealers, guarantee or service agents please contact **MILWAUKEE®** Customer Service or visit our website.

(Australia Toll Free Telephone Number 1300 645 928)

(New Zealand Toll Free Telephone Number 0800 645 928)

or visit milwaukeetool.com.au/milwaukeetool.co.nz.

Milwaukee Electric Tool Corporation

13135 West Lisbon Road, Brookfield, Wisconsin U.S.A. 53005

Milwaukee Tool (Australia)

26 - 40 Nina Link, Dandenong South,
Victoria, 3175, Australia

Milwaukee Tool (New Zealand)

274 Church Street, Penrose,
Auckland, 1061, New Zealand

DESIGNED BY MILWAUKEE ELECTRIC TOOL CORP.
PROFESSIONALLY MADE IN CHINA
PRINTED IN CHINA