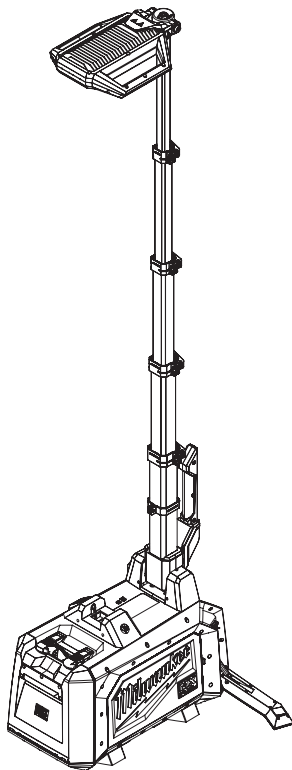





# OPERATOR'S MANUAL



Cat. No.  
**MXF TLIC**

## **MX FUEL™ COMPACT TOWER LIGHT**

 **WARNING**

 To reduce the risk of injury, user must read and understand operator's manual.

## IMPORTANT SAFETY INSTRUCTIONS

### **⚠WARNING** READ AND UNDERSTAND ALL INSTRUCTIONS.

Failure to follow all instructions listed below, may result in electric shock, fire and/or serious personal injury.

### SAVE THESE INSTRUCTIONS

- Before using, read this operator's manual, your battery pack and charger operator's manual, and all labels on the battery pack, charger and light. Learn your light's applications and limitations as well as potential hazards associated with this type of tool.
- Read and understand all the instructions before using the light.
- Prevent unintentional starting. Ensure the switch is in the off-position before connecting to battery pack, picking up or carrying the light. Carrying the light with your finger on the switch or energising appliance that have the switch on invites accidents.
- Disconnect the battery pack from the light before making any adjustments, changing accessories, or storing light. Such preventive safety measures reduce the risk of starting the light accidentally.
- Recharge only with the charger specified by the manufacturer. A charger that is suitable for one type of battery pack may create a risk of fire when used with another battery pack.
- Use light only with specifically designated battery packs. Use of any other battery packs may create a risk of injury and fire.
- When battery pack is not in use, keep it away from other metal objects, like paper clips, coins, keys, nails, screws or other small metal objects, that can make a connection from one terminal to another. Shorting the battery terminals together may cause burns or a fire.
- Under abusive conditions, liquid may be ejected from the battery; avoid contact. If contact accidentally occurs, flush with water. If liquid contacts eyes, additionally seek medical help. Liquid ejected from the battery may cause irritation or burns.
- Do not use a battery pack or light that is damaged or modified. Damaged or modified batteries may exhibit unpredictable behaviour resulting in fire, explosion or risk of injury.
- Do not expose a battery pack or appliance to fire or excessive temperature. Exposure to fire or temperature above 130°C may cause explosion.
- Follow all charging instructions and do not charge the battery pack or light outside of the temperature range specified in the instructions. Charging improperly or at temperatures outside of the specified range may damage the battery and increase the risk of fire.
- Have servicing performed by a qualified repair person using only identical replacement parts. This will ensure that the safety of the product is maintained.
- Do not modify or attempt to repair the light or the battery pack (as applicable) except as indicated in the instructions for use and care.

- To reduce the risk of injury, close supervision is necessary when an appliance is used near children.
- Store idle light out of reach of children. Warm lights can become hazardous in the hands of children.
- Store indoors. Do not expose to rain.
- Always use common sense and be cautious when using tools. It is not possible to anticipate every situation that could result in a dangerous outcome. Do not use this tool if you do not understand these operating instructions or you feel the work is beyond your capability; contact MILWAUKEE® Tool or a trained professional for additional information or training.
- Maintain labels and nameplates. These carry important information. If unreadable or missing, contact a MILWAUKEE® service facility for a replacement.

### SAVE THESE INSTRUCTIONS

### SPECIFIC SAFETY RULES

**⚠WARNING** When using LED lighting, additional precautions should always be followed, including the following:

- a) To reduce the risk of injury, close supervision is necessary when a product is used near children.
  - b) Do not touch the heat sink on top of the machine during or after operating. Always use side handles to adjust the machine as needed.
  - c) Only use attachments recommended or sold by the manufacturer.
- Do not mount on vehicle wall.
  - Keep hands clear of the moving parts when deploying legs and/or raising/lowering the mast.
  - When the plug is connected to the power supply, ensure that the plug and socket-out provides the same level of dust and moisture protection as the light.
  - Do not look directly into the light when the light is on.
  - Ensure the light is stable before raising the mast. Light may tip and cause injury.
  - Do not set up the unit if high winds are expected. High winds can cause the machine to tip or fall causing severe injury.
  - Light extends upward. Verify the area above light is open and clear of overhead wires and obstructions before raising.
  - Chemical Burn Hazard. Keep coin cell battery away from children.

### READ AND SAVE ALL INSTRUCTIONS FOR FUTURE USE

### EXTENSION CORDS

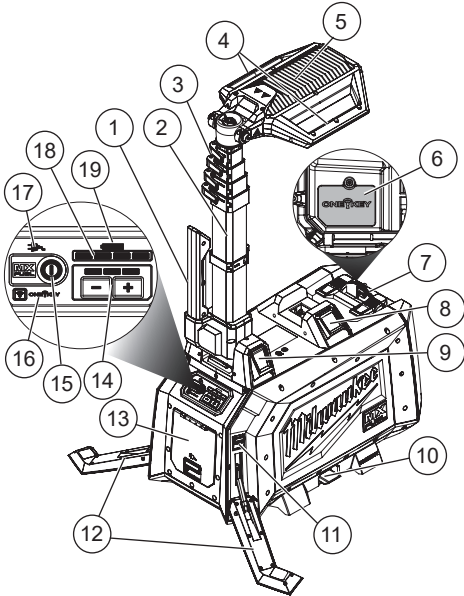
#### Guidelines for Using Extension Cords

- If you are using an extension cord outdoors, be sure it is acceptable for outdoor use.
- Be sure your extension cord is properly wired and in good electrical condition. Always replace a damaged extension cord or have it repaired by a qualified person before using it.
- Protect your extension cords from sharp objects, excessive heat and damp or wet areas.
- When stringing lights together, consider the total Amperes draw when selecting the extension cords.

## SPECIFICATIONS

Cat. No. ....	MXF TLIC
Battery Type .....	MX FUEL™
Charger Type .....	MX FUEL™
AC Input Volts .....	230-240 V
AC Input power .....	165 W
DC Input Volts .....	72 V
DC Input power .....	145 W
Lumen Output Range .....	5,000 - 15,000
Weight .....	18.2 kg
	(Tool Only)
Weight .....	23 kg
	(With included MXFXC406 battery pack)
Recommended Ambient	
Operating Temperature .....	-20°C to 40°C

## FUNCTIONAL DESCRIPTION



- |                              |                          |
|------------------------------|--------------------------|
| 1. Carrying handle           | 12. Outriggers (2)       |
| 2. Mast                      | 13. AC power compartment |
| 3. Cam locks (4)             | 14. LED light controls   |
| 4. Side handles              | 15. ARM button           |
| 5. Heat sink                 | 16. ONE-KEY™ indicator   |
| 6. ONE-KEY™ card             | 17. AC power indicator   |
| 7. Battery compartment       | 18. Fuel gauge           |
| 8. Mast lock lever           | 19. DC power indicator   |
| 9. Mast pivot release lever  |                          |
| 10. PACKOUT™ release button  |                          |
| 11. Outrigger release button |                          |

## SYMBOLGY

- |  |   |
|--|---|
|  | Volts   |
|  | Direct Current  |
|  | Alternating Current   |
|  | Amps  |
|  | Hertz   |
|  | Safety Alert Symbol   |
|  | <b>⚠ WARNING</b> Risk of Electric Shock   |
|  | <b>⚠ WARNING</b> Do not stare at the operating light source   |
|  | <b>⚠ WARNING</b> Surface is hot. Avoid contact.   |
|  | <b>⚠ WARNING</b> Keep hands away from mast hinge while in use. Fingers could be injured.  |
|  | Do not mount on vehicle wall.   |
|  | Do not use as step.   |
|  | Read operator's manual  |
|  | Outrigger Deploy/Retract  |
|  | DC Power  |
|  | AC Power  |
|  | Regulatory Compliance Mark (RCM). This product meets applicable regulatory requirements.  |
|  | Do not dispose of electric tools together with household waste material. Electric tools and electronic equipment that have reached the end of their life must be collected separately and returned to an environmentally compatible recycling facility. |

## ASSEMBLY

**WARNING** Recharge only with the charger specified for the battery. For specific charging instructions, read the operator's manual supplied with your charger and battery.

### Inserting/Removing the Battery

To **insert** the battery, slide the pack into the body of the machine. Make sure it latches securely into place.

To **remove** the battery, release the battery compartment latch, lift the battery latch, and pull the battery pack away from the machine.

### Fuel Gauge

When the machine is armed, the fuel gauge displays the battery pack's remaining run time. The fuel gauge mirrors the fuel gauge on the battery pack. When less than 10% of charge is left, 1 light on the fuel gauge will flash. When the battery reaches 0% charge, the fuel gauge will flash 8 times. Charge the battery pack.

### Low Battery Indicator

With an estimated 20 minutes before battery shutdown, the main LEDs will dim for 1 second and return to the current brightness 3 times. With an estimated 10 minutes before battery shutdown, the main LEDs will dim and return to current brightness 2 times, then remain dimmed until out of battery.

**WARNING** Only use accessories specifically recommended for this tool. Others may be hazardous.

To reduce the risk of injury to self or others or property damage, do not stack tools on **PACKOUT™** above eye level. Do not extend mast while on **PACKOUT™** accessories. Machine could tip, striking people or objects. Use **PACKOUT™** rolling products only for transporting machine.

### Transportation

**WARNING** Use two people whenever it is necessary to lift or carry the machine with bigger battery configurations as the machine could be heavy. Lift with legs, not back.

Always unarm the machine before transporting. Disconnect any extension cords before transporting.

Always clear the area of obstructions before transporting.

Do not hang/hoist the machine for storage or transportation (e.g., from a crane hook).

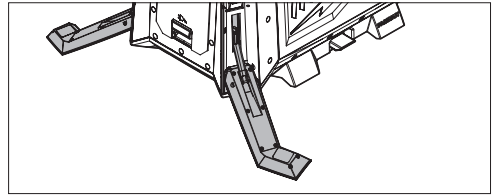
To lift and carry, ensure the mast is in the locked position and grasp the carrying handle. Always maintain firm footing.

### Deploying/Retracting the Outriggers

Always use outriggers when deploying mast. When using the machine on an uneven surface, ensure the machine is level and stable before use. Lower mast before making adjustments to the outriggers or attempting to transport the machine.

1. Pull outrigger down until an audible click is heard from the outrigger locking feature. Keep clear of the outriggers as they deploy.
2. To **retract** the outrigger, push the outrigger release button, and raise the outrigger back into place.

**WARNING** If using on an incline, the battery door must be facing down grade, and with the outriggers facing up the grade.



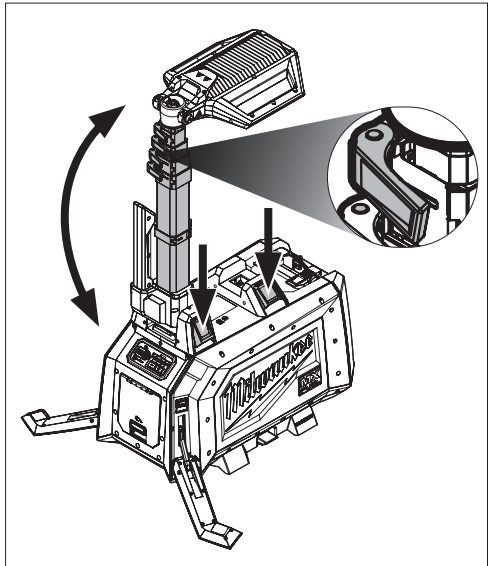
### Raising/Lowering the Mast

To **raise** the mast:

1. Inspect mast handle hinge and clean if contaminated with dirt or debris.
2. Before raising the mast, ensure the machine is stable and be aware of any potential overhead obstacles.
3. Pull up on the mast lock lever.
4. Raise the mast up slowly until it clicks into the vertical position.
5. Adjust the light head in the direction needed before fully extending the mast.
6. Pull open the cam lock lever to adjust the height of each mast section. Start from the top of the mast when extending. Once the mast height is set, close the cam lock levers to lock into place.

To **lower** the mast:

1. **CAUTION** Keep hands away from moving parts while lowering the mast. Ensure the mast and head is at a 90° angle before lowering the mast.
2. Start from the bottom of the mast when collapsing each section and work up. Unlock the mast section one at a time until fully collapsed.
3. Pull up on the mast pivot release lever, then lower the mast into the horizontal position until the mast clicks into place.



## ONE-KEY™

ONE-KEY™ functionality is enabled on this machine by a replaceable card. Removal of this card will disable ONE-KEY™ functionality on the machine. Removal of the card after adding the machine to your inventory in the ONE-KEY™ app will put the machine in a security lockout. Reinsert the card to unlock the machine.

The ONE-KEY™ card can be accessed by removing the cover with a screwdriver.

To learn more about the ONE-KEY™ functionality for this machine, go to [milwaukee.com/One-Key](http://milwaukee.com/One-Key). To download the ONE-KEY™ app, visit the App Store® or Google Play™ from your smart device.

ONE-KEY™ Indicator	
Solid Blue	Wireless mode is active and ready to be configured via the ONE-KEY™ app.
Blinking Blue	Machine is actively communicating with the ONE-KEY™ app.
Blinking Red	Machine is in security lockout and can be unlocked by the owner via the ONE-KEY™ app.

## OPERATION

### Arming the Machine

MX FUEL™ machines must be armed prior to use. Even with the battery pack inserted, the trigger and machine functions will not operate until the machine is armed.

To arm the machine:

1. Insert the battery or connect to AC power.
2. Press the arm button. The MX FUEL™ icon will light. The machine will become armed in 2 seconds.
3. After 15 minutes of inactivity, the machine will enter sleep mode. The MX FUEL™ icon will go off and the buttons and LEDs will be un-operational.
4. Press and hold the arm button for 1 second to reactivate the machine.
5. Press and hold the arm button for 1 second to unarm (turn off) the machine. The MX FUEL™ icon will go off.

**⚠ WARNING** To reduce the risk of injury, do not look directly into the light when the light is on.

**DO NOT touch the heat sink above the light during or after operation. It is hot. Always use side handles to adjust the light.**

### Operating the Machine

1. Insert battery pack or plug into AC power.
2. Press the Arm button.
3. Press the - and + buttons to cycle through from **No Light to Low, Medium and High.**
4. Press the Arm button to turn the light off. Always turn off power before unplugging the light.

### Operating the Machine on AC/DC Power

Insert a battery pack and arm the machine to run on DC power. Plug an extension cord into the inlet and arm the machine to run on AC power. The corresponding DC or AC power LED indicator will light. If both battery and extension cord are inserted, AC power will be used, with DC power as a backup. The LED indicators will indicate the primary power being used.

## MAINTENANCE

**⚠ WARNING** To reduce the risk of injury, always unplug the charger and remove the battery pack from the charger or machine before performing any maintenance. Never disassemble the battery pack, charger, or machine, except as provided in these instructions. Contact a MILWAUKEE® service facility for ALL repairs.

The light source of this luminaire is not replaceable; when the light source reaches its end of life the whole luminaire shall be replaced.

### Maintaining Machine

Keep your machine, battery pack and charger in good repair by adopting a regular maintenance program. Inspect your machine for issues such as undue noise, misalignment or binding of moving parts, breakage of parts, or any other condition that may affect the machine operation. Return the machine, battery pack, and charger to a MILWAUKEE® service facility for repair.

If the machine does not start or operate at full power with a fully charged battery pack, clean the contacts on the battery pack. If the machine still does not work properly, return the machine, charger and battery pack, to a MILWAUKEE® service facility for repairs.

### Internal Coin Cell Battery

**⚠ WARNING** Chemical Burn Hazard. This device contains a lithium button/coin cell battery. A new or used battery can cause severe internal burns and lead to death in as little as 2 hours if swallowed or enters the body. Always secure the battery cover. If it does not close securely, stop using the device, remove the batteries, and keep it away from children. If you think batteries may have been swallowed or entered the body, seek immediate medical attention.



An internal coin cell battery is used to facilitate full ONE-KEY™ functionality.

To replace the battery:

1. **⚠ WARNING** Remove battery to avoid starting the tool.
2. Loosen the screw(s) and open the coin cell battery door.
3. Remove the old coin cell battery, keep it away from children, and dispose of it properly.
4. Insert the new coin cell battery (3V CR2032), with the positive side facing up.
5. Close the battery door and tighten the screw(s) securely.

**⚠ WARNING** To reduce the risk of personal injury, electric shock and damage, never immerse your machine in liquid or allow a liquid to flow inside it.

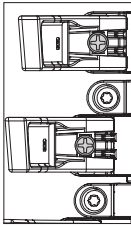
### Cleaning

Clean dust and debris from vents. Keep handles clean, dry and free of oil or grease. Use only mild soap and a damp cloth to clean, since certain cleaning agents and solvents are harmful to plastics and other insulated parts. Some of these include petrol, turpentine, lacquer thinner, paint thinner, chlorinated cleaning solvents, ammonia and household detergents containing ammonia. Never use flammable or combustible solvents around tools.

### Tightening the Camlock Screws

Inspect the cam locks, and ensure they are moving freely from dirt and debris. If the cam locks are not holding the mast in position, tighten the screws according to the steps below.

1. Ensure the mast is collapsed, and the head is secure.
2. Open the cam lock latches.
3. Using a phillips screwdriver, turn the cam lock screw clockwise 1/8th turn, and check mast function. Repeat 1/8th turns as needed.



### Cleaning the Battery and Battery Bay

Keep battery connections and surfaces between the machine and battery free of debris and materials. Failure to keep surfaces clean may result in misalignment and/or damage to the battery connection.

### Repairs

For repairs, return the tool, battery pack and charger to the nearest authorised service centre.

### ACCESSORIES

**▲WARNING** Use only recommended accessories. Others may be hazardous.

For a complete listing of accessories, go online to [milwaukee.com.au](http://milwaukee.com.au) / [milwaukee.co.nz](http://milwaukee.co.nz) or contact an authorised distributor.



## **WARRANTY - AUSTRALIA and NEW ZEALAND**

Please refer to Australian and New Zealand warranty supplied with tool. This warranty applies only to product sold by authorised dealers in Australia and New Zealand.

## **SERVICE - AUSTRALIA and NEW ZEALAND**

**MILWAUKEE®** prides itself in producing a premium quality product that is Nothing But Heavy Duty™. Your satisfaction with our products is very important to us! If you encounter any problems with the operation of this tool, please contact your authorised **MILWAUKEE®** dealer.

For a list of **MILWAUKEE®** dealers, guarantee or service agents please contact **MILWAUKEE®** Customer Service or visit our website.

(Australia Toll Free Telephone Number 1300 645 928)

(New Zealand Toll Free Telephone Number 0800 645 928)

or visit [milwaukeetool.com.au/milwaukeetool.co.nz](http://milwaukeetool.com.au/milwaukeetool.co.nz).

### **Milwaukee Electric Tool Corporation**

13135 West Lisbon Road, Brookfield, Wisconsin U.S.A. 53005

#### **Milwaukee Tool (Australia)**

26 - 40 Nina Link, Dandenong South,  
Victoria, 3175, Australia

#### **Milwaukee Tool (New Zealand)**

274 Church Street, Penrose,  
Auckland, 1061, New Zealand

DESIGNED BY MILWAUKEE ELECTRIC TOOL CORP.  
PROFESSIONALLY MADE IN CHINA  
PRINTED IN CHINA