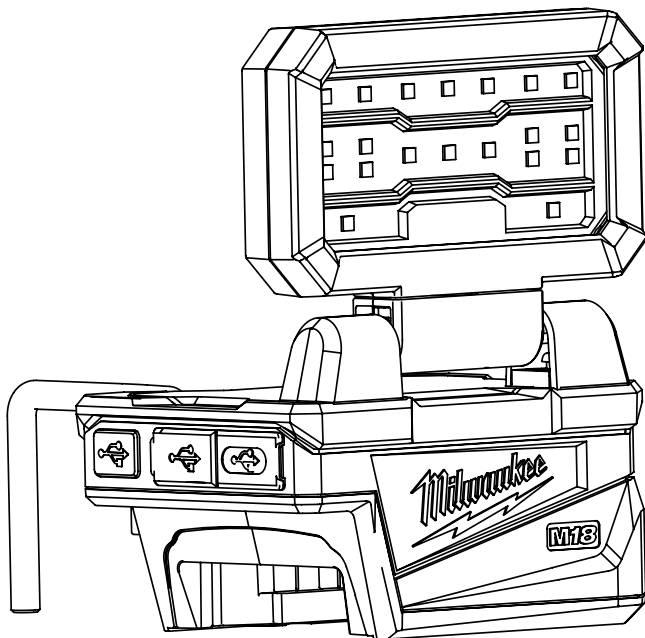




# OPERATOR'S MANUAL



Cat. No.  
**M18 CBL**

## **M18™ COMPACT BATTERY LIGHT**

 **WARNING**

 To reduce the risk of injury, user must read and understand operator's manual.

## IMPORTANT SAFETY INSTRUCTIONS

**⚠WARNING** **READ AND UNDERSTAND ALL INSTRUCTIONS.** Failure to follow all instructions listed below, may result in electric shock, fire and/or serious personal injury.

### SAVE THESE INSTRUCTIONS

- Before using, read this operator's manual, your battery pack and charger operator's manual, and all labels on the battery pack, charger and light. Learn your light's applications and limitations as well as potential hazards associated with this type of tool.
- Read and understand all the instructions before using the light.
- Prevent unintentional starting. Ensure the switch is in the off-position before connecting to battery pack, picking up or carrying the light. Carrying the light with your finger on the switch or energising appliance that have the switch on invites accidents.
- Disconnect the battery pack from the light before making any adjustments, changing accessories, or storing light. Such preventive safety measures reduce the risk of starting the light accidentally.
- Recharge only with the charger specified by the manufacturer. A charger that is suitable for one type of battery pack may create a risk of fire when used with another battery pack.
- Use light only with specifically designated battery packs. Use of any other battery packs may create a risk of injury and fire.
- When battery pack is not in use, keep it away from other metal objects, like paper clips, coins, keys, nails, screws or other small metal objects, that can make a connection from one terminal to another. Shorting the battery terminals together may cause burns or a fire.
- Under abusive conditions, liquid may be ejected from the battery; avoid contact. If contact accidentally occurs, flush with water. If liquid contacts eyes, additionally seek medical help. Liquid ejected from the battery may cause irritation or burns.
- Do not use a battery pack or light that is damaged or modified. Damaged or modified batteries may exhibit unpredictable behaviour resulting in fire, explosion or risk of injury.
- Do not expose a battery pack or appliance to fire or excessive temperature. Exposure to fire or temperature above 130°C may cause explosion.
- Follow all charging instructions and do not charge the battery pack or light outside of the temperature range specified in the instructions. Charging improperly or at temperatures outside of the specified range may damage the battery and increase the risk of fire.

- Have servicing performed by a qualified repair person using only identical replacement parts. This will ensure that the safety of the product is maintained.
- Do not modify or attempt to repair the light or the battery pack (as applicable) except as indicated in the instructions for use and care.
- To reduce the risk of injury, close supervision is necessary when an appliance is used near children.
- Store idle light out of reach of children. Warm lights can become hazardous in the hands of children.
- Remove light from underbody before operating a vehicle. A light left attached to the underbody may break free which could result in personal injury.
- Store indoors. Do not expose to rain.
- Always use common sense and be cautious when using tools. It is not possible to anticipate every situation that could result in a dangerous outcome. Do not use this tool if you do not understand these operating instructions or you feel the work is beyond your capability; contact MILWAUKEE® Tool or a trained professional for additional information or training.
- Maintain labels and nameplates. These carry important information. If unreadable or missing, contact a MILWAUKEE® service facility for a replacement.

## SPECIFIC SAFETY RULES FOR LIGHTS

**⚠WARNING** The lens may get hot during use. To reduce the risk of burns, do not touch hot lens.

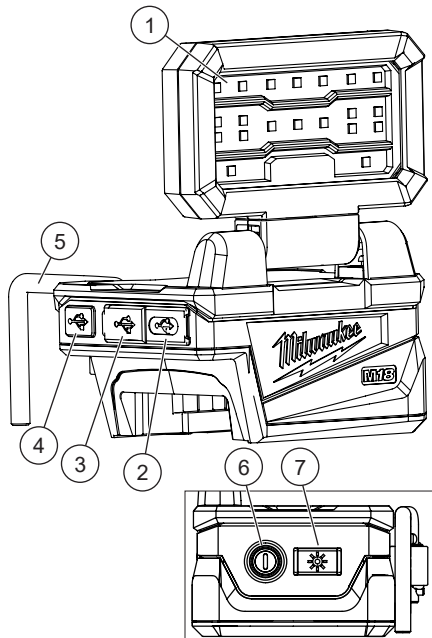
**READ AND SAVE ALL INSTRUCTIONS FOR FUTURE USE**

## ADDITIONAL BATTERY SAFETY RULES

**⚠ WARNING** To reduce the risk of fire, personal injury, and product damage due to a short circuit, never immerse your tool, battery pack or charger in fluid or allow a fluid to flow inside them. Corrosive or conductive fluids, such as seawater, certain industrial chemicals, and bleach or bleach-containing products, etc., can cause a short circuit.

**⚠ WARNING** Do not charge non-rechargeable batteries.

## FUNCTIONAL DESCRIPTION



1. LED Panel
2. USB-C port
3. USB-A port
4. USB button
5. Hang hook
6. Power button
7. Mode button

## SYMBOLGY

- Volts
- Direct Current
- Do not stare at the operating light source.
- Read Operator's Manual
- Universal Serial Bus (USB)
- Universal Serial Bus Type-C (USB-C)
- Hot surface
- Class III appliance
- This product suitable for indoor use only.
- Mode Button
- Power Button
- Regulatory Compliance mark (RCM). This product meets applicable regulatory requirements.

Do not dispose of electric tools together with household waste material. Electric tools and electronic equipment that have reached the end of their life must be collected separately and returned to an environmentally compatible recycling facility.



## SPECIFICATIONS

Cat. No. ....	<b>M18 CBL</b>
Battery Type .....	M18™
Charger Type .....	M18™
DC Input Watts.....	7 W
Lumens	
High.....	1,000 lm
Medium.....	500 lm
Low.....	250 lm
Ultra Low.....	85 lm
Input Volts .....	18 V
Input Amps.....	3 A
USB-A Output.....	5 V DC, 2.4 A
USB-C Output.....	5 V DC, 3 A
	9 V DC, 3 A
	12 V DC, 2.25 A
Recommended Ambient Operating Temperature .....	-17°C to 51°C

## ASSEMBLY

**⚠WARNING** Recharge only with the charger specified for the battery. For specific charging instructions, read the operator's manual supplied with your charger and battery.

### Inserting/Removing the Battery

To **insert** the battery, slide the pack into the body of the tool. Make sure it latches securely into place.

**⚠WARNING** Always remove the battery pack any time the tool is not in use.


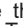

To **remove** the battery, push in the release buttons and pull the battery pack away from the tool.

**⚠WARNING** Only use accessories specifically recommended for this tool. Others may be hazardous.

## OPERATION


**⚠WARNING** To reduce the risk of injury, do not look directly into the light when the light is on.

### Turning the Light On/Off

To turn on the light, press the power button . Press the mode button  to cycle through high, medium, low and ultra low settings. To turn off the light, press the power button  again.

**NOTE:** The LED bulbs cannot be replaced.

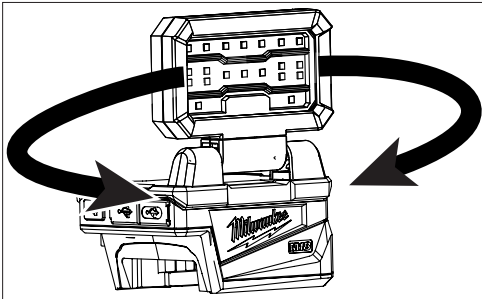
### USB Power Outlets

This outlet can be used to charge a cell phone, power a portable personal device, or any other device that uses less than 2.4 A of DC electrical current (USB-A) and less than 3 A of DC electrical current (USB-C). To turn on the USB outlets, press the USB power  button. The USB power button will remain illuminated when devices are charging. USB ports will remain on unless the power button is pressed again.

### Rotating the Light

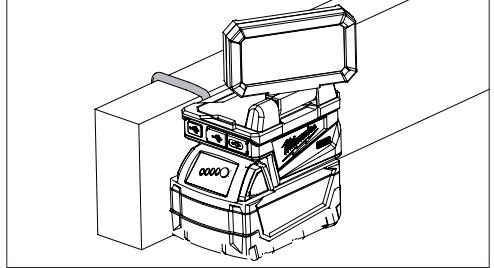
**⚠CAUTION** To reduce risk of overheating, ensure the light is turned off before storing or placing in the resting position.

To rotate the light, pull the light upward and rotate up to 20° counter clockwise or 280° clockwise. The resting position is LED light facing down into housing.



### Hang Hook

**⚠WARNING** Ensure the hanging surface is sturdy and the hang hook is secure before using. A falling light could strike people or objects below.



## MAINTENANCE

**⚠WARNING** To reduce the risk of injury, always unplug the charger and remove the battery pack from the charger or tool before performing any maintenance. Never disassemble the battery pack, charger, or tool, except as provided in these instructions. Contact a MILWAUKEE® service facility for all other repairs.

The light source of this luminaire is not replaceable; when the light source reaches its end of life the whole luminaire shall be replaced.

### Maintain Light

Keep the light, battery pack and charger in good repair by adopting a regular maintenance program. If the light does not work properly, return the light to a MILWAUKEE® service facility for repairs.

**⚠WARNING** To reduce the risk of personal injury, electric shock and damage, never immerse your machine in liquid or allow a liquid to flow inside it.

### Cleaning

Clean dust and debris from the product. Keep product clean, dry and free of oil or grease. Use only mild soap and a damp cloth to clean, since certain cleaning agents and solvents are harmful to plastics and other insulated parts. Some of these include petrol, turpentine, lacquer thinner, paint thinner, chlorinated cleaning solvents, ammonia and household detergents containing ammonia. Never use flammable or combustible solvents around tools.

### Repairs

For repairs, return the tool, battery pack and charger to the nearest authorised service centre.

## ACCESSORIES

**⚠WARNING** Use only recommended accessories. Others may be hazardous.

For a complete listing of accessories, go online to [milwaukeeetool.com.au](http://milwaukeeetool.com.au) / [milwaukeeetool.co.nz](http://milwaukeeetool.co.nz) or contact an authorised distributor.







## **WARRANTY - AUSTRALIA and NEW ZEALAND**

Please refer to Australian and New Zealand warranty supplied with tool. This warranty applies only to product sold by authorised dealers in Australia and New Zealand.

## **SERVICE - AUSTRALIA and NEW ZEALAND**

**MILWAUKEE®** prides itself in producing a premium quality product that is Nothing But Heavy Duty™. Your satisfaction with our products is very important to us! If you encounter any problems with the operation of this tool, please contact your authorised **MILWAUKEE®** dealer.

For a list of **MILWAUKEE®** dealers, guarantee or service agents please contact **MILWAUKEE®** Customer Service or visit our website.

(Australia Toll Free Telephone Number 1300 645 928)

(New Zealand Toll Free Telephone Number 0800 645 928)

or visit [milwaukeetool.com.au/milwaukeetool.co.nz](http://milwaukeetool.com.au/milwaukeetool.co.nz).

### **Milwaukee Electric Tool Corporation**

13135 West Lisbon Road, Brookfield, Wisconsin U.S.A. 53005

#### **Milwaukee Tool (Australia)**

26 - 40 Nina Link, Dandenong South,  
Victoria, 3175, Australia

#### **Milwaukee Tool (New Zealand)**

274 Church Street, Penrose,  
Auckland, 1061, New Zealand

DESIGNED BY MILWAUKEE ELECTRIC TOOL CORP.

PROFESSIONALLY MADE IN CHINA

PRINTED IN CHINA