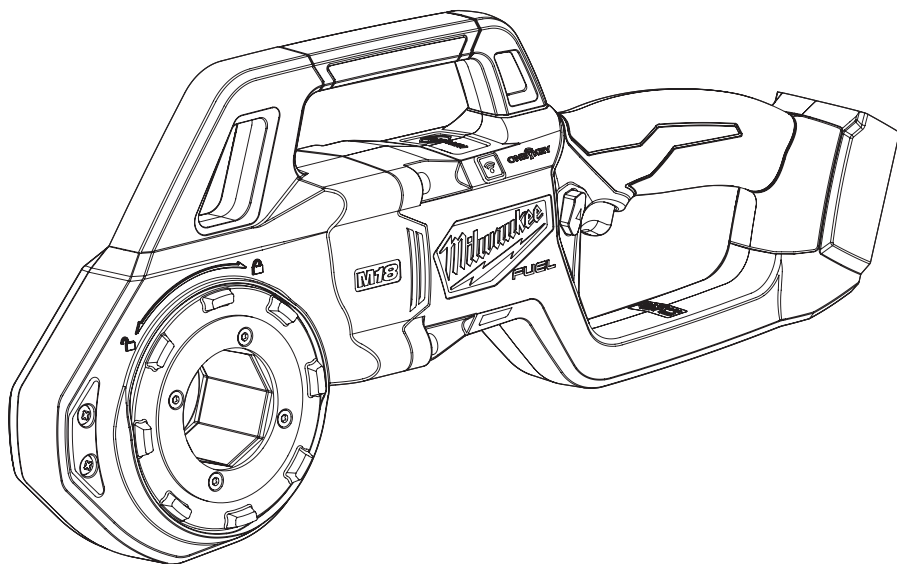





OPERATOR'S MANUAL



Cat. No.
M18 FPT114

M18 FUEL™ COMPACT PIPE THREADER W/ ONE-KEY™

 **WARNING**

 To reduce the risk of injury, user must read and understand operator's manual.

GENERAL POWER TOOL SAFETY WARNINGS

⚠WARNING Read all safety warnings, instructions, illustrations and specifications provided with this power tool. Failure to follow all instructions listed below may result in electric shock, fire and/or serious injury. **Save all warnings and instructions for future reference.** The term "power tool" in the warnings refers to your mains-operated (corded) power tool or battery-operated (cordless) power tool.

WORK AREA SAFETY

- **Keep work area clean and well lit.** Cluttered or dark areas invite accidents.
- **Do not operate power tools in explosive atmospheres, such as in the presence of flammable liquids, gases or dust.** Power tools create sparks which may ignite the dust or fumes.
- **Keep children and bystanders away while operating a power tool.** Distractions can cause you to lose control.

ELECTRICAL SAFETY

- **Power tool plugs must match the outlet. Never modify the plug in any way. Do not use any adapter plugs with earthed (grounded) power tools.** Unmodified plugs and matching outlets will reduce risk of electric shock.
- **Avoid body contact with earthed or grounded surfaces, such as pipes, radiators, ranges and refrigerators.** There is an increased risk of electric shock if your body is earthed or grounded.
- **Do not expose power tools to rain or wet conditions.** Water entering a power tool will increase the risk of electric shock.
- **Do not abuse the cord. Never use the cord for carrying, pulling or unplugging the power tool. Keep cord away from heat, oil, sharp edges or moving parts.** Damaged or entangled cords increase the risk of electric shock.
- **When operating a power tool outdoors, use an extension cord suitable for outdoor use.** Use of a cord suitable for outdoor use reduces the risk of electric shock.
- **If operating a power tool in a damp location is unavoidable, use a residual current device (RCD) protected supply.** Use of a RCD reduces the risk of electric shock.

PERSONAL SAFETY

- **Stay alert, watch what you are doing and use common sense when operating a power tool. Do not use a power tool while you are tired or under the influence of drugs, alcohol or medication.** A moment of inattention while operating power tools may result in serious personal injury.
- **Use personal protective equipment. Always wear eye protection.** Protective equipment such as a dust mask, non-skid safety shoes, hard hat or hearing protection used for appropriate conditions will reduce personal injuries.
- **Prevent unintentional starting. Ensure the switch is in the off-position before connecting to power source and/or battery pack, picking up or carrying the tool.** Carrying power tools with your finger on the switch or energising power tools that have the switch on invites accidents.
- **Remove any adjusting key or wrench before turning the power tool on.** A wrench or a key left

attached to a rotating part of the power tool may result in personal injury.

- **Do not overreach. Keep proper footing and balance at all times.** This enables better control of the power tool in unexpected situations.
- **Dress properly. Do not wear loose clothing or jewellery. Keep your hair and clothing away from moving parts.** Loose clothes, jewellery, or long hair can be caught in moving parts.
- **If devices are provided for the connection of dust extraction and collection facilities, ensure these are connected and properly used.** Use of dust collection can reduce dust-related hazards.
- **Do not let familiarity gained from frequent use of tools allow you to become complacent and ignore tool safety principles.** A careless action can cause severe injury within a fraction of a second.

POWER TOOL USE AND CARE

- **Do not force the power tool. Use the correct power tool for your application.** The correct power tool will do the job better and safer at the rate for which it was designed.
- **Do not use the power tool if the switch does not turn it on and off.** Any power tool that cannot be controlled with the switch is dangerous and must be repaired.
- **Disconnect the plug from the power source and/ or remove the battery pack, if detachable, from the power tool before making any adjustments, changing accessories, or storing power tools.** Such preventive safety measures reduce the risk of starting the power tool accidentally.
- **Store idle power tools out of the reach of children and do not allow persons unfamiliar with the power tool or these instructions to operate the power tool.** Power tools are dangerous in the hands of untrained users.
- **Maintain power tools and accessories. Check for misalignment or binding of moving parts, breakage of parts and any other condition that may affect the power tool's operation. If damaged, have the power tool repaired before use.** Many accidents are caused by poorly maintained power tools.
- **Keep cutting tools sharp and clean.** Properly maintained cutting tools with sharp cutting edges are less likely to bind and are easier to control.
- **Use the power tool, accessories and tool bits etc. in accordance with these instructions, taking into account the working conditions and the work to be performed.** Use of the power tool for operations different from those intended could result in a hazardous situation.
- **Keep handles and grasping surfaces dry, clean and free from oil and grease.** Slippery handles and grasping surfaces do not allow for safe handling and control of the tool in unexpected situations.

BATTERY TOOL USE AND CARE

- **Recharge only with the charger specified by the manufacturer.** A charger that is suitable for one type of battery pack may create a risk of fire when used with another battery pack.
- **Use power tools only with specifically designated battery packs.** Use of any other battery packs may create a risk of injury and fire.
- **When battery pack is not in use, keep it away from other metal objects, like paper clips, coins, keys, nails, screws or other small metal objects,**

that can make a connection from one terminal to another. Shorting the battery terminals together may cause burns or a fire.

- **Under abusive conditions, liquid may be ejected from the battery; avoid contact.** If contact accidentally occurs, flush with water. If liquid contacts eyes, additionally seek medical help. Liquid ejected from the battery may cause irritation or burns.
- **Do not use a battery pack or tool that is damaged or modified.** Damaged or modified batteries may exhibit unpredictable behaviour resulting in fire, explosion or risk of injury.
- **Do not expose a battery pack or tool to fire or excessive temperature.** Exposure to fire or temperature above 130°C (265°F) may cause explosion.
- **Follow all charging instructions and do not charge the battery pack or tool outside the temperature range specified in the instructions.** Charging improperly or at temperatures outside the specified range may damage the battery and increase the risk of fire.

SERVICE

- **Have your power tool serviced by a qualified repair person using only identical replacement parts.** This will ensure that the safety of the power tool is maintained.
- **Never service damaged battery packs.** Service of battery packs should only be performed by the manufacturer or authorized service providers.

SPECIFIC SAFETY RULES FOR THREADERS

- **Always use the support device provided with the tool.** Loss of control during operation can result in personal injury.
- **Keep sleeves and jackets buttoned while operating the tool. Do not reach across the tool or pipe.** Clothing can be caught by the pipe or the tool resulting in entanglement.
- **Only one person must control the work process and tool operation.** Additional people involved in the process may result in unintended operation and personal injury.
- **Keep floors dry and free of slippery materials such as oil.** Slippery floors invite accidents.
- **When threading or backing die head off pipe, firmly hold the tool to resist forces regardless of support device used.** This will reduce the risk of striking, crushing and other injuries.
- **Do not use dies that are showing signs of wear, dull, or damaged.** Sharp cutting tools require less torque and the tool is easier to control.
- **Only use MILWAUKEE® 11-R series or equivalent die heads.** Other die heads may not fit correctly in the tool increasing the risk of equipment damage and personal injury.
- **Do not store die heads in tool to prevent metal on metal wear.**
- **Chemical Burn Hazard. Keep coin cell battery away from children.**
- **Always use common sense and be cautious when using tools.** It is not possible to anticipate every situation that could result in a dangerous outcome. Do not use this tool if you do not understand these operating instructions or you feel the work is beyond your capability; contact MILWAUKEE® Tool or a trained professional for additional information or training.

• **Maintain labels and nameplates. These carry important information.** If unreadable or missing, contact a MILWAUKEE® service facility for a replacement.

AWARNING Some dust created by power sanding, sawing, grinding, drilling, and other construction activities contains chemicals known to cause cancer, birth defects or other reproductive harm. Some examples of these chemicals are:

- lead from lead-based paint
- crystalline silica from bricks and cement and other masonry products, and
- arsenic and chromium from chemically-treated lumber.

Your risk from these exposures varies, depending on how often you do this type of work. To reduce your exposure to these chemicals: work in a well ventilated area, and work with approved safety equipment, such as those dust masks that are specially designed to filter out microscopic particles.

ADDITIONAL BATTERY SAFETY RULES

AWARNING To reduce the risk of fire, personal injury, and product damage due to a short circuit, never immerse your tool, battery pack or charger in fluid or allow a fluid to flow inside them. Corrosive or conductive fluids, such as seawater, certain industrial chemicals, and bleach or bleach-containing products, etc., can cause a short circuit.

AWARNING Do not charge non-rechargeable batteries.

SYMBOLOLOGY



Volts



Direct Current



Safety alert symbol



Read operator's manual



Do not wear gloves while pushing on or near moving parts



Always use support arm



Keep hands away from moving parts

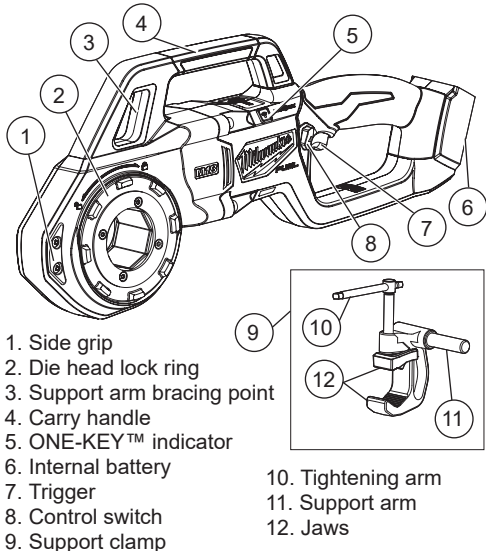


Regulatory Compliance Mark (RCM). This product meets applicable regulatory requirements.



Do not dispose of electric tools together with household waste material. Electric tools and electronic equipment that have reached the end of their life must be collected separately and returned to an environmentally compatible recycling facility.

FUNCTIONAL DESCRIPTION



1. Side grip
2. Die head lock ring
3. Support arm bracing point
4. Carry handle
5. ONE-KEY™ indicator
6. Internal battery
7. Trigger
8. Control switch
9. Support clamp

10. Tightening arm
11. Support arm
12. Jaws

SPECIFICATIONS

Cat. No. M18 FPT114
 Volts..... 18V DC
 Battery Type M18™
 Charger Type..... M18™
 Capacity 1/8" - 1-1/4" (3.2 mm - 31.8 mm)
 Die Head. **MILWAUKEE®** 11-R series or equivalent
 No Load RPM 0 - 35
 Recommended Ambient
 Operating Temperature..... -18°C to 51°C

ASSEMBLY

⚠ WARNING Recharge only with the charger specified for the battery. For specific charging instructions, read the operator's manual supplied with your charger and battery.

Removing/Inserting the Battery

To **remove** the battery, push in the release buttons and pull the battery pack away from the tool.

⚠ WARNING Always lock the trigger or remove the battery pack any time the tool is not in use.

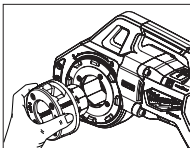
To **insert** the battery, slide the pack into the body of the tool. Make sure it latches securely into place.

⚠ WARNING Only use accessories specifically recommended for this tool. Others may be hazardous.

Installing/Removing Die Heads

Die head can be inserted from either side of the tool.

1. Remove battery pack.
2. Rotate the die head lock ring to the unlocked position. 🔄
3. Rotate the die head lock ring to lock. The lock ring will click when locked. 🔒
4. Always check the die head is locked into the tool before starting a cut.



5. To remove, unlock the die head lock ring and pull the die head from the tool.

ONE-KEY™

To learn more about the ONE-KEY™ functionality for this tool, go to milwaukeetool.com/One-Key. To download the ONE-KEY™ app, visit the App Store or Google Play from your smart device.

ONE-KEY™ Indicator

Solid Blue	Wireless mode is active and ready to be configured via the ONE-KEY™ app.
Blinking Blue	Tool is actively communicating with the ONE-KEY™ app.
Blinking Red	Tool is in security lockout and can be unlocked by the owner via the ONE-KEY™ app.

OPERATION

⚠ WARNING To reduce the risk of injury, always wear proper eye protection marked to comply with AS/NZS 1337.1.

When threading or backing die head off pipe, firmly hold the tool to resist forces regardless of support device used. This will reduce the risk of striking, crushing and other injuries.

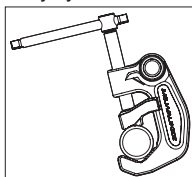
Always use the support device provided with the tool. Loss of control during operation can result in personal injury.

Resisting Threading Forces

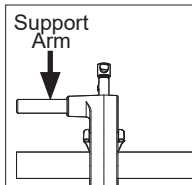
Always use the support clamp provided with the tool. The support clamp attaches to the pipe and helps to resist the threading forces.

⚠ WARNING Loss of control during operation can result in personal injury.

1. Position the support clamp jaws around the pipe. To properly locate the support arm for threading, the support arm should be parallel to the pipe and the end of the support arm should align with the end of the pipe.

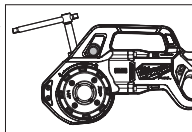


2. Turn the tightening arm to firmly secure the support clamp on the pipe.
3. Place the tool with installed die head over the pipe.
4. Slide the support arm through the tool's support arm bracing point.



⚠ WARNING Do not attach the tool to the support arm in any other location.

5. Continue to slide the tool over the pipe until the end of the pipe contacts the cutting dies in the die head. The support arm will be inside the tool's bracing point.



Using the Control Switch

The control switch may be set to three positions: clockwise, anti-clockwise and lock. Always allow the motor to come to a complete stop before using the control switch to avoid damage to the tool.



NOTE: The above illustration and the below directions apply for when the die head is inserted for right-handed threads. For left-handed threads, reverse the clockwise/anti-clockwise selections.

1. For **clockwise** rotation, push in the control switch from the right side of the tool. **Check the direction of rotation before use.**
2. For **anti-clockwise** rotation, push in the control switch from the left side of the tool. **Check direction of rotation before use.**
3. To **lock** the trigger, push the control switch to the centre position. The trigger will not work while the control switch is in the centre locked position. Always lock the trigger or remove the battery pack any time the tool is not in use.

Starting, Stopping and Controlling Speed

1. To **start** the tool, grasp the handle(s) firmly and pull the trigger.
2. To **vary** the speed, increase or decrease the pressure on the trigger. The further the trigger is pulled, the greater the speed.
3. To **stop** the tool, release the trigger. Ensure the tool has come to a complete stop before laying the tool down.

Threading

Properly prepare the pipe. Make sure the pipe is cut squarely and deburred. Pipe cut at an angle can damage the dies while threading and can cause difficulty engaging the die head. The pipe must be stable and secured to prevent tipping during use. Use appropriate pipe stand(s) to support entire pipe length.

To cut right-handed threads:

1. Position the die head over the pipe end and support the tool as directed in "Resisting Threading Forces".
2. Position the control switch to "clockwise" ▲ for dies inserted from the left side of the tool. Position the control switch to "anti-clockwise" ▼ for dies inserted from the right side of the tool.

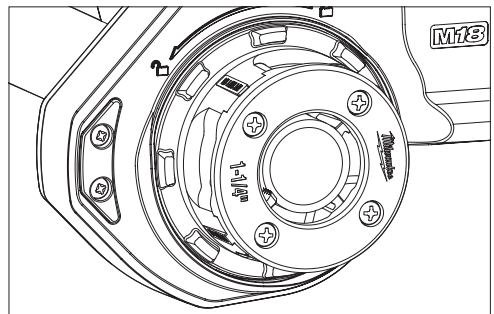
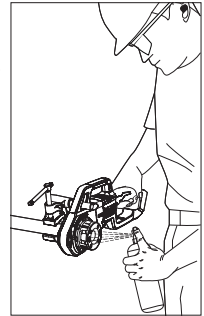
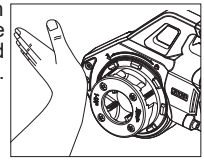
3. To start the thread, push against the side grip with the palm of the free hand, and slowly pull the trigger.

▲WARNING Do not wear jewellery,

loose fitting clothing, or use a rag while operating tool. Do not wear gloves prone to snagging while pushing on or near moving parts; this increases the risk of entanglement and injury. Once the dies engage the pipe, threads will be cut as the dies pull themselves onto the end of the pipe.

▲WARNING To avoid injury, firmly hold the tool to resist forces.

4. Once the dies have engaged the pipe, stop pushing on the side grip and use an oiler to apply a generous quantity of thread-cutting oil to the area. This will lower the necessary threading torque, improve thread quality, and increase die life.
5. Release the trigger when the end of the pipe is even with the end of the die.



6. Use the control switch to reverse the tool, setting it to a anti-clockwise rotation. Pull the trigger to thread the die head off of the pipe.

▲WARNING To avoid injury, firmly hold the tool to resist forces.

7. Release the trigger and remove the tool from the pipe.
8. Maintain the tool and die head after use. Remove battery pack and clean oil and cutting debris from the tool and die.

▲WARNING Swarf from cutting may be sharp. Clean up any oil spills to maintain a safe work environment.

For left-handed threads, reverse the clockwise/anti-clockwise selections.

Inspecting Threads Using a Ring Gauge

1. Wipe any oil, chips or debris from the thread.
2. Inspect the thread. Threads should be smooth, complete, and in good form. If irregularities such as thread tearing, thin threads, or pipe out-of-roundness are seen, the thread may not seal.
3. Check the size of the thread with a ring gauge. Thread the gauge onto the pipe and hand-tighten. The end of the pipe should be flush with the side of the gauge (plus or minus one turn). If thread does not gauge properly, cut off the thread, adjust the die head, and cut another thread.

NOTICE Using a thread that does not gauge properly can cause leaks.

MAINTENANCE

WARNING To reduce the risk of injury, always unplug the charger and remove the battery pack from the charger or tool before performing any maintenance. Never disassemble the tool, battery pack or charger. Contact a MILWAUKEE® service facility for ALL repairs.

Maintaining Tool

Keep your tool, battery pack and charger in good repair by adopting a regular maintenance program. Inspect your tool for issues such as undue noise, misalignment or binding of moving parts, breakage of parts, or any other condition that may affect the tool operation. Return the tool, battery pack, and charger to a MILWAUKEE® service facility for repair. After six months to one year, depending on use, return the tool, battery pack and charger to a MILWAUKEE® service facility for inspection. If the tool does not start or operate at full power with a fully charged battery pack, clean the contacts on the battery pack. If the tool still does not work properly, return the tool, charger and battery pack, to a MILWAUKEE® service facility for repairs.

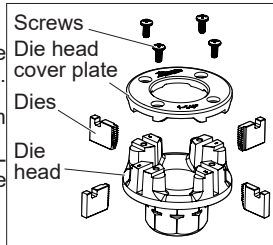
WARNING Only use MILWAUKEE® 11-R series or equivalent die heads. Other die heads may not fit correctly in the tool increasing the risk of equipment damage and personal injury.

Changing Dies in the Die Heads

To remove the dies:

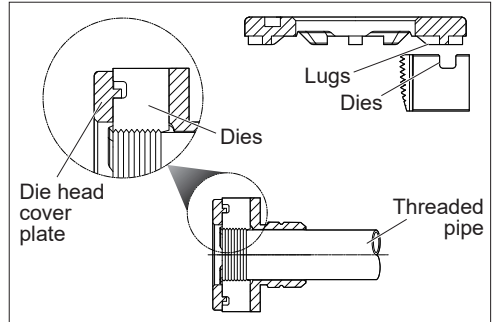
1. Remove the four screws from the die head cover plate. Remove the plate.
2. Pull the dies from the die head.

NOTE: For best performance, always replace the entire set of dies.



To install the dies:

1. Insert the new dies into the die head, with the numbered edge of the die facing upward.
- NOTE:** The numbers on the dies must match the numbers on the die head.
2. Reinstall the cover plate onto the die head. Tighten the four screws lightly.
 3. Place the die head on an already-threaded pipe until the dies begin to thread. This will properly set the size.



4. Tighten the four screws fully onto the die head cover plate.
5. Remove the threaded pipe. Make a test cut to ensure the new dies are working correctly.

ONE-KEY™

WARNING Chemical Burn Hazard. This device contains a lithium button/coin cell battery. A new or used battery can cause severe internal burns and lead to death in as little as 2 hours if swallowed or enters the body. Always secure the battery cover. If it does not close securely, stop using the device, remove the batteries, and keep it away from children. If you think batteries may have been swallowed or entered the body, seek immediate medical attention.



Internal Coin Cell Battery

An internal coin cell battery is used to facilitate full ONE-KEY™ functionality.

If the Bluetooth communication stops working, remove and reinsert the coin cell battery to reset. Replace the battery if the problem continues.

To replace the battery:

1. Remove the battery pack.
2. Remove the screw(s) and open the coin cell battery door.
3. Remove the old coin cell battery, keep it away from children, and dispose of it properly.
4. Insert the new coin cell battery (3V CR2032), with the positive side facing up.
5. Close the battery door and tighten the screw(s) securely.

▲WARNING To reduce the risk of personal injury and damage, never immerse your tool, battery pack or charger in liquid or allow a liquid to flow inside them.

Cleaning

Clean dust and debris from vents. Keep handles clean, dry and free of oil or grease. Use only mild soap and a damp cloth to clean, since certain cleaning agents and solvents are harmful to plastics and other insulated parts. Some of these include petrol, turpentine, lacquer thinner, paint thinner, chlorinated cleaning solvents, ammonia and household detergents containing ammonia. Never use flammable or combustible solvents around tools.

Repairs

For repairs, return the tool, battery pack and charger to the nearest service centre.

ACCESSORIES

▲WARNING Use only recommended accessories. Others may be hazardous.

For a complete listing of accessories, go online to milwaukeeetool.com.au / milwaukeeetool.co.nz or contact a distributor.

WARRANTY - AUSTRALIA and NEW ZEALAND

Please refer to Australian and New Zealand warranty supplied with tool. This warranty applies only to product sold by authorised dealers in Australia and New Zealand.

SERVICE - AUSTRALIA and NEW ZEALAND

MILWAUKEE® prides itself in producing a premium quality product that is Nothing But Heavy Duty™. Your satisfaction with our products is very important to us! If you encounter any problems with the operation of this tool, please contact your authorised **MILWAUKEE®** dealer.

For a list of **MILWAUKEE®** dealers, guarantee or service agents please contact **MILWAUKEE®** Customer Service or visit our website.

(Australia Toll Free Telephone Number 1300 645 928)

(New Zealand Toll Free Telephone Number 0800 645 928)

or visit milwaukeetool.com.au/milwaukeetool.co.nz.

Milwaukee Electric Tool Corporation

13135 West Lisbon Road, Brookfield, Wisconsin U.S.A. 53005

Milwaukee Tool (Australia)

26 - 40 Nina Link, Dandenong South,
Victoria, 3175, Australia

Milwaukee Tool (New Zealand)

274 Church Street, Penrose,
Auckland, 1061, New Zealand

DESIGNED BY MILWAUKEE ELECTRIC TOOL CORP.

PROFESSIONALLY MADE IN CHINA

PRINTED IN CHINA