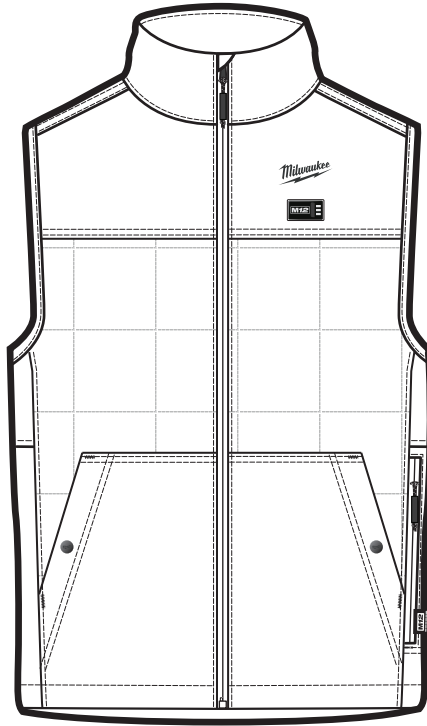




OPERATOR'S MANUAL



Cat. No.
M12 HPVBLACK2

M12 AXIS™ HEATED VEST



WARNING

To reduce the risk of injury, user must read and understand operator's manual.

IMPORTANT SAFETY INSTRUCTIONS

- ⚠ WARNING** READ AND UNDERSTAND ALL INSTRUCTIONS. Failure to follow all instructions listed below, may result in electric shock, fire and/or serious personal injury.
- Children under the age of three are not to use this appliance due to their inability to react to overheating.
 - This appliance is not intended for use by persons (including children) with reduced physical, sensory or mental capabilities, or lack of experience and knowledge, unless they have been given supervision or instruction concerning use of the appliance by a person responsible for their safety.
 - Children should be supervised to ensure that they do not play with the appliance.
 - This appliance must not be used by persons insensitive to heat and other very vulnerable persons who are unable to react to overheating. Children under the age of three are not to use this appliance due to their inability to react to overheating.
 - The appliance is not to be used by young children over the age of three unless the controls have been preset by a parent or guardian, or unless the child has been adequately instructed on how to operate the controls safely.
 - The appliance can be used by children older than 3 years and younger than 8 years under supervision and with the control always set to minimum temperature value.

ELECTRICAL SAFETY

- Do not expose heated gear to rain or wet conditions. Water will increase the risk of electric shock.
- Do not abuse the power cable. Never use the cord for carrying, pulling or unplugging the heated gear. Keep cord away from heat, oil, sharp edges or moving parts.

PERSONAL SAFETY

- Stay alert, watch what you are doing and use common sense when using the heated gear. Do not use while you are tired or under the influence of drugs, alcohol or medication. A moment of inattention may result in serious personal injury.

PRODUCT USE AND CARE

- Do not use the heated gear if the power button does not turn it on and off. Any heated gear that cannot be controlled with the power button is dangerous and must be repaired.
- Disconnect the battery pack from the heated gear before storing. Such preventive safety measures reduce the risk of starting the heated gear accidentally.
- Store out of the reach of children and do not allow persons unfamiliar with these instructions to operate the heated gear. Heated gear can be dangerous in the hands of untrained users.
- Maintain heated gear. Check for breakage of parts and any other condition that may affect the heated gear's operation. If damaged, have the heated gear repaired before use.
- Use the heated gear in accordance with these instructions, taking into account the working conditions and the work to be performed. Use of the heated gear for operations different from those intended could result in a hazardous situation.

BATTERY TOOL USE AND CARE

- Recharge only with the charger specified by the manufacturer. A charger that is suitable for one type of battery pack may create a risk of fire when used with another battery pack.
- Use heated gear only with specifically designated battery packs. Use of any other battery packs may create a risk of injury and fire.
- When battery pack is not in use, keep it away from other metal objects like paper clips, coins, keys, nails, screws, or other small metal objects that can make a connection from one terminal to another. Shorting the battery terminals together may cause burns or a fire.
- Under abusive conditions, liquid may be ejected from the battery; avoid contact. If contact accidentally occurs, flush with water. If liquid contacts eyes, additionally seek medical help. Liquid ejected from the battery may cause irritation or burns.
- Rechargeable batteries are to be removed from the appliance before being charged.
- For exhausted batteries are to be removed from the appliance and safely disposed of.
- If the appliance is to be stored unused for a long period, the batteries should be removed.
- Disconnect and remove battery pack and battery holder before store.
- The supply terminals are not to be short-circuited.
- When not in use, cool down the product before storing. Remove the battery before storing. Do not cover the warning.

SERVICE

- Have your heated gear serviced by a qualified repair person using only identical replacement parts. This will ensure that the safety of the heated gear is maintained.

SPECIFIC SAFETY RULES FOR HEATED GEAR

Read instructions carefully.

Use:

- Do not use this heated gear with an infant, child, a helpless person, or anyone insensitive to heat, such as a person with poor blood circulation.
 - If you have a medical condition making you sensitive to overheating, or you use any personal medical devices, consult the equipment manufacturer and/or your physician to determine if use of this product is appropriate.
 - Never use if inner liner is wet.
 - Heating elements are not recommended to touch bare skin.
 - Shut off power immediately if discomfort occurs.
 - Do not allow the cords to be pinched.
 - For a continuous use set the temperature settings on the low mode.
 - Examine the appliance frequently for signs of wear or damage. If there are such signs, or the appliance has been misused or does not work, return it to the supplier before switching it on again.
- ⚠ WARNING** In order to avoid the possibility of heatstroke, disconnect the clothing when moving to an environment having significantly higher temperature.
- If improper operation of this heated gear is observed, discontinue its use immediately and contact a MILWAUKEE® service facility for repair.

• **Do not insert pins.** They may damage the electric wiring.

• This appliance is not intended for medical use in hospitals.

Care:

• **Before washing, disconnect and remove battery pack and battery controller from battery holder pocket. Push the power cord completely into the battery holder pocket and fasten closed. Zip centre front zipper closed before washing.**

• **Follow Care Instructions on heated gear tags. Machine wash, Gentle Cycle in warm water. Tumble Dry Low Heat.**

• **Do not bleach.**

• **Do not iron.**

• **Do not wring or twist.**

• **Do not dry clean. Do not use dry-cleaning fluid on this heated gear.** Do not bleach. Cleaning solvents may have a deteriorating effect on the insulation of the heating element.

• Do not create the appliance by placing items on top of it during storage.

• When storing the appliance, allow it to cool down before folding.

• **Always use common sense and be cautious when using tools.** It is not possible to anticipate every situation that could result in a dangerous outcome. Do not use this tool if you do not understand these operating instructions or you feel the work is beyond your capability; contact MILWAUKEE® Tool or a trained professional for additional information or training.

• **Maintain labels and nameplates.** These carry important information. If unreadable or missing, contact a MILWAUKEE® service facility for a replacement.

Important instructions. Retain for future use.

ADDITIONAL BATTERY SAFETY RULES

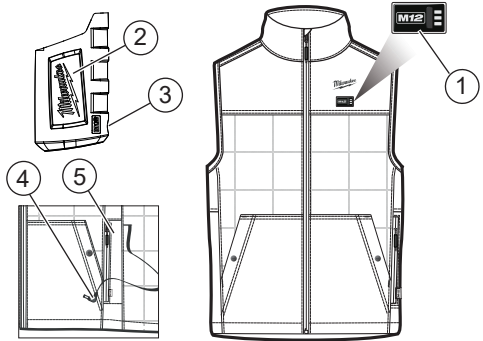
⚠WARNING To reduce the risk of fire, personal injury, and product damage due to a short circuit, never immerse your tool, battery pack or charger in fluid or allow a fluid to flow inside them. Corrosive or conductive fluids, such as seawater certain industrial chemicals, and bleach or bleach-containing products, etc., can cause a short circuit.

⚠WARNING Do not charge non-rechargeable batteries.

SPECIFICATIONS

Cat. No. **M12 HPVBLACK2**
 Volts..... 12V DC
 Battery Type M12™
 Charger Type..... M12™

FUNCTIONAL DESCRIPTION



- 1. Power button and LEDs
- 2. Battery controller
- 3. Power cable port
- 4. Power cable
- 5. Battery controller pocket

SYMBOLGY

- Volts
- Direct Current
- Read Operator's Manual
- Maximum washing temperature 40 °C
- Mild process
- Do not bleach
- Do not wring or twist
- Tumble dry, low heat
- Do not iron
- Do not dry-clean
- Wash by hand
- Not to be used by very young children (0-3 years).
- Do not insert pins.
- Regulatory Compliance Mark (RCM). This product meets applicable regulatory requirements.

ASSEMBLY

⚠WARNING Recharge only with the charger specified for the battery. For specific charging instructions, read the operator's manual supplied with your charger and battery.

NOTE: Either the M12 TC Battery Controller (supplied) or the M12 HJ Battery Holder (not supplied) or the M18 USB PS HJ2 Battery Controller (not supplied) can be used to supply the heated gear.

Inserting/Removing the Battery

To **insert** the battery, slide the pack into the body of the battery controller. Make sure it latches securely into place.

Insert the power cable (from inside the pocket) into the power cable port on the battery controller. Push the power cable completely into the battery controller pocket and zip all pockets closed.

To **remove** the battery, push in the release buttons and pull the battery pack away from the controller.

OPERATION

To **turn on**, press and hold (about 2 seconds) the power button. The zone will be turned to High and the LED will light.

Temperature setting can be adjusted at any time by pressing the power button. Each press will cycle through the temperature settings.

The applicable heat setting will be indicated by the number of LEDs illuminated:

- 1 LED = Low Heat
- 2 LEDs = Medium Heat
- 3 LEDs = High Heat

To **turn off**, press and hold (about 2 seconds) the power button. The LED will turn off.

If the heated gear turns off unexpectedly, check connections and charge the battery pack. Battery controller is located inside of the pocket.

CARE

⚠WARNING To reduce the risk of injury, always unplug the charger and remove the battery pack and battery controller from the heated gear before performing any maintenance. Never disassemble the heated gear, battery pack or charger. Contact a **MILWAUKEE®** service facility for ALL repairs.

If the heated gear does not start or operate properly with a fully charged battery pack, clean the contacts on the battery pack. If the heated gear still does not work properly, return the heated gear, charger and battery pack, to a **MILWAUKEE®** service facility for repairs.

⚠WARNING To reduce the risk of personal injury and damage, disconnect and remove battery pack and battery controller from battery controller pocket before washing. Never immerse your battery controller, battery pack, or charger in liquid or allow a liquid to flow inside them.

To clean the heated gear:

1. Remove battery pack and battery controller.
2. Push the power cord completely into the battery controller pocket and fasten closed. Zip centre front zipper closed before washing.
3. Machine wash, Gentle Cycle in warm water. Do not use bleach. Do not dry clean. Do not wring or twist.
4. Tumble Dry on Low Heat. Do not iron.

ACCESSORIES

⚠WARNING Use only recommended accessories. Others may be hazardous.

For a complete listing of accessories, go online to milwaukeeetool.com.au / milwaukeeetool.co.nz or contact a distributor.

WARRANTY - AUSTRALIA and NEW ZEALAND

Please refer to Australian and New Zealand warranty supplied with tool. This warranty applies only to product sold by authorised dealers in Australia and New Zealand.

SERVICE - AUSTRALIA and NEW ZEALAND

MILWAUKEE® prides itself in producing a premium quality product that is Nothing But Heavy Duty™. Your satisfaction with our products is very important to us! If you encounter any problems with the operation of this tool, please contact your authorised **MILWAUKEE®** dealer.

For a list of **MILWAUKEE®** dealers, guarantee or service agents please contact **MILWAUKEE®** Customer Service or visit our website.

(Australia Toll Free Telephone Number 1300 645 928)

(New Zealand Toll Free Telephone Number 0800 645 928)

or visit milwaukeetool.com.au/milwaukeetool.co.nz.

Milwaukee Electric Tool Corporation

13135 West Lisbon Road, Brookfield, Wisconsin U.S.A. 53005

Milwaukee Tool (Australia)

26 - 40 Nina Link, Dandenong South,
Victoria, 3175, Australia

Milwaukee Tool (New Zealand)

274 Church Street, Penrose,
Auckland, 1061, New Zealand

DESIGNED BY MILWAUKEE ELECTRIC TOOL CORP.

PROFESSIONALLY MADE IN CHINA

PRINTED IN CHINA