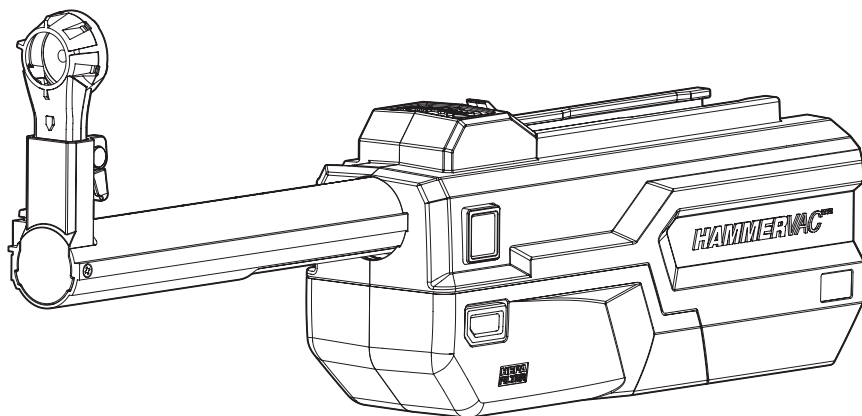





OPERATOR'S MANUAL



Cat. No.
M18 FDDEL32

M18 FUEL™ HAMMERVAC™ 32MM (1-1/4") DEDICATED DUST EXTRACTOR

 **WARNING**

 To reduce the risk of injury, user must read and understand operator's manual.

IMPORTANT SAFETY INSTRUCTIONS

⚠WARNING WHEN USING AN ELECTRICAL DUST EXTRACTOR, BASIC PRECAUTIONS SHOULD ALWAYS BE FOLLOWED, INCLUDING THE FOLLOWING: READ ALL INSTRUCTIONS BEFORE USING DUST EXTRACTOR. BEFORE USING THE DUST EXTRACTOR, READ THIS OPERATOR'S MANUAL, YOUR TOOL, BATTERY PACK AND CHARGER OPERATOR'S MANUALS, AND ALL LABELS ON THE DUST EXTRACTOR, BATTERY PACK, CHARGER AND TOOL. FAILURE TO FOLLOW THE WARNINGS AND INSTRUCTIONS MAY RESULT IN ELECTRIC SHOCK, FIRE AND/OR SERIOUS INJURY.

WORK AREA SAFETY

- Keep work area clean and well lit. Cluttered or dark areas invite accidents.
- Dust extractors have motors and other parts that can produce sparks during normal use. Do not use within 9 metres of areas where explosive materials may be present (such as petrol pumps and places where liquids like paint thinners, cleaners, solvents, etc. are stored).
- Do not use in the presence of explosive dust, liquids or vapours.
- Do not use where oxygen or anesthetics are used.
- Do not allow to be used as a toy. Close attention is necessary when used by or near children.
- Use extra care when using on stairs.

ELECTRICAL SAFETY

- Do not pick up wet material. Do not use water to settle dust.
- Do not handle battery pack or dust extractor with wet hands.
- Do not expose power tools to rain or wet conditions. Water entering a power tool will increase the risk of electric shock.

PERSONAL SAFETY

- STAY ALERT. Watch what you are doing and use common sense. Do not use dust extractor when you are tired, distracted or under the influence of drugs, alcohol or medication causing diminished control.
- The operation of a dust extractor can result in foreign objects being blown into eyes, which can result in eye damage. Always wear safety goggles or glasses with side shield marked to comply with AS/NZS 1337.1 when operating dust extractor.
- Wear a dust mask or use a suitable dust extraction solution when working in dusty situations. Dust particles can harm your lungs.
- Use personal protective equipment. Always wear eye protection. Protective equipment such as a dust mask, non-skid safety shoes, hard hat or hearing protection used for appropriate conditions will reduce personal injuries.
- Remove any adjusting key or wrench before turning the power tool on. A wrench or a key left attached to a rotating part of the power tool may result in personal injury.
- If devices are provided for the connection of dust extraction and collection facilities, ensure these are connected and properly used. Use of dust collection can reduce dust-related hazards.

- Do not let familiarity gained from frequent use of tools allow you to become complacent and ignore tool safety principles. A careless action can cause severe injury within a fraction of a second.
- Avoid accidental starting. Ensure the switch is in the off-position before inserting battery pack. Inserting battery pack in dust extractor that has the switch on invites accidents.
- Do not overreach. Keep proper footing and balance at all times. This enables better control of the power tool in unexpected situations.
- Keep hair, loose clothing, fingers, and all parts of body away from openings and moving parts.
- Use only as described in this manual. Use only manufacturer's recommended attachments.
- Prevent unintentional starting. Ensure the switch is in the off -position before connecting to power source and/or battery pack, picking up or carrying the tool. Carrying power tools with your finger on the switch or energising power tools that have the switch on invites accidents.

USE AND CARE

- Do not use without dust box and filter in place.
- Do not use to pick up flammable or combustible liquids such as petrol or use in areas where they may be present.
- Do not pick up anything that is burning or smoking such as cigarettes, matches, or hot ashes.
- Do not pick up soot, cement, plaster or drywall dust without filter in place. These are very fine particles that may affect the performance of the motor or be exhausted back into the air.
- To reduce the risk of health hazards from other vapours or dust, do not vacuum carcinogenic, toxic or hazardous materials such as asbestos, arsenic, barium, beryllium, lead, pesticides or other health endangered materials.
- Use special care when emptying heavily loaded tanks.
- To avoid spontaneous combustion, empty dust box after each use.
- Do not leave dust extractor unattended when battery pack is installed. Remove battery pack when not in use and before servicing.
- Disconnect the battery pack from the appliance before making any adjustments, changing accessories, or storing appliance. Such preventive safety measures reduce the risk of starting the appliance accidentally.
- Do not put any object into openings. Do not use with any opening blocked; keep free of dust, lint, hair, and anything else that may reduce air flow.

- **Maintain dust extractor.** Check for misalignment or binding of moving parts, breakage of parts and any other condition that may affect the dust extractor's operation. If damaged, have the dust extractor repaired before use. Many accidents are caused by poorly maintained tools.

SERVICE

- **Have your power tool serviced by a qualified repair person using only identical replacement parts.** This will ensure that the safety of the power tool is maintained.
- **Do not modify or attempt to repair the appliance or the battery pack (as applicable) except as indicated in the instructions for use and care.**
- **Never service damaged battery packs.** Service of battery packs should only be performed by the manufacturer or authorised service providers.

SPECIFIC SAFETY RULES FOR DUST EXTRACTORS

- **Before using the dust extractor, read this operator's manual, your tool, battery pack and charger operator's manuals, and all labels on the dust extractor, battery pack, charger and tool.**
- **Use of any dust extraction solution must also be done in accordance any local regulations.**
- **Never use dust extractor without dust box and HEPA filter in place. Never use water to clean dust box or HEPA filter.**
- **Wear ear protectors.** Exposure to noise can cause hearing loss.
- **Hold power tool by insulated gripping surfaces, when performing an operation where the fastener may contact hidden wiring.** Fasteners contacting a "live" wire may make exposed metal parts of the power tool "live" and could give the operator an electric shock.

WARNING To reduce the risk of injury, when working in dusty situations, wear appropriate respiratory protection or use a suitable dust extraction solution.

- **Always use common sense and be cautious when using tools.** It is not possible to anticipate every situation that could result in a dangerous outcome. Do not use this tool if you do not understand these operating instructions or you feel the work is beyond your capability; contact MILWAUKEE® Tool or a trained professional for additional information or training.

WARNING Some dust created by power sanding, grinding, drilling, and other construction activities contains chemicals known to cause cancer, birth defects or other reproductive harm. Some examples of these chemicals are:

- lead from lead-based paint
 - crystalline silica from bricks and cement and other masonry products, and
 - arsenic and chromium from chemically-treated lumber.
- Your risk from these exposures varies, depending on how often you do this type of work. To reduce your exposure to these chemicals: work in a well ventilated area, and work with approved safety equipment, such as those dust masks that are specially designed to filter out microscopic particles.
- **Maintain labels and nameplates.** These carry important information. If unreadable or missing, contact a MILWAUKEE® service facility for a replacement.

READ AND SAVE ALL INSTRUCTIONS FOR FUTURE USE FOR HOUSEHOLD OR COMMERCIAL USE.

ADDITIONAL BATTERY SAFETY RULES

WARNING To reduce the risk of fire, personal injury, and product damage due to a short circuit, never immerse your tool, battery pack or charger in fluid or allow a fluid to flow inside them. Corrosive or conductive fluids, such as seawater, certain industrial chemicals, and bleach or bleach-containing products, etc., can cause a short circuit.

WARNING Do not charge non-rechargeable batteries.

SYMBOLGY



Volts



Direct Current



Read Operator's Manual



Wear safety glasses.



Wear dust mask.



Regulatory Compliance Mark (RCM). This product meets applicable regulatory requirements.

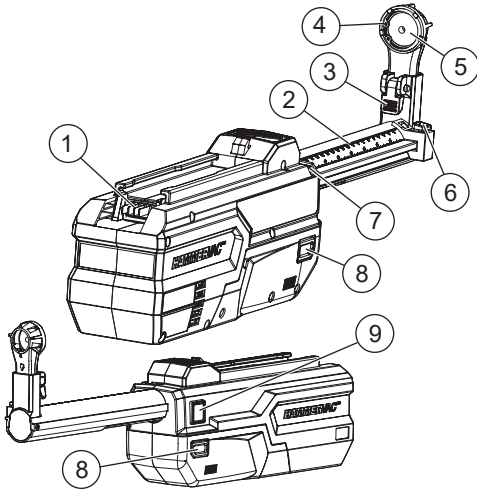


Do not dispose of electric tools together with household waste material. Electric tools and electronic equipment that have reached the end of their life must be collected separately and returned to an environmentally compatible recycling facility.

SPECIFICATIONS

Cat. No. M18 FDDEL32
For use only with M18 FHACOD32 M18 FUEL™
32mm SDS PLUS Rotary Hammer
 Small Nozzle Max Diameter 16 mm (5/8")
 Large Nozzle Max Diameter 32 mm (1-1/4")
Dust Box Cat. No. 42160015

FUNCTIONAL DESCRIPTION



1. Hammer contacts
2. Depth gauge
3. Nozzle adjustment lever
4. Nozzle
5. Nozzle bit brush
6. Bit depth gauge button
7. Dust tube length adjuster
8. Dust box latches
9. Hammer release button

ASSEMBLY

WARNING Only use accessories specifically recommended for this tool. Others may be hazardous. Always remove battery pack before changing or removing accessories. Only use accessories specifically recommended for this tool. Others may be hazardous. Do not use tool without dust box and HEPA filter in place.

Installing/ Removing the Dust Box and HEPA Filter

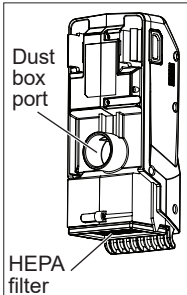
To **remove** the dust box:

1. Turn **OFF** the tool.
2. Remove the battery pack.
3. Squeeze the dust box latches.
4. Pull the dust box away from the HAMMERVAC™.
5. Clean filter and dust box by following the following recommended steps in the "Removal and Cleaning of Dust Box and Filter" section.

To **install** the dust box:

1. Slide the dust box into the body of the HAMMERVAC™.
2. The dust box latches should snap into place.

NOTE: Do not operate the HAMMERVAC™ without the dust box and HEPA filter in place. Dust box cannot be installed without HEPA filter.



Removal and Cleaning of Dust Box and Filter

WARNING To reduce the risk of injury, when working in dusty situations, wear appropriate respiratory protection or use a suitable dust extraction solution. Keep filter clean. Efficiency of the HAMMERVAC™ is largely dependent on the filter. A dirty filter will reduce the air flow and overall efficiency of the system. Do not clean with water or compressed air.

Disposal of Dust

Regular filter cleaning and dust box emptying are an essential part of regular maintenance on the HAMMERVAC™, as a full dust box or filter will reduce the effectiveness of the unit. Carefully transfer the filter or collected dust to a suitable container with a tight-fitting lid to minimise the amount of dust that re-enters the air. Ensure minimal dust is allowed to escape when emptying dust boxes or cleaning filters. Disposal of dust needs to be done in accordance with local regulations.

Cleaning Dust Box

Wear suitable personal protective equipment and remove any remaining dust in the dust box port thoroughly after the dust box has been removed and appropriately handled, e.g., by using a compliant dust extraction system (Class M recommended as a minimum) in accordance with local regulations.

Disposal of HEPA Filter

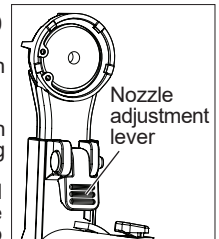
After about 1,500 holes or loss of suction, discard the HEPA filter by cleaning the dust box (refer to the "Cleaning Dust Box" section) and carefully transferring the HEPA filter to a container with a tight-fitting lid. Disposal of HEPA filter needs to be done in accordance with local regulations. Replace HEPA filter with a correct replacement HEPA filter (Cat. No. 49902306).

Installing/Removing Nozzle

Replace the nozzle:

- After drilling about 1,500 holes,
- When the nozzle bit brush shows signs of wear,
- When suction is reduced,
- When dust escapes through the nozzle bit brush during use

To replace the Small and Large dust nozzles, pull the nozzle adjustment lever up to the open position and pull out nozzle from the lower nozzle assembly. Slide the new nozzle into the lower nozzle assembly and push the nozzle.



Attaching the HAMMERVAC™ to the Rotary Hammer

These HAMMERVAC™ Dust Extractors are for use with dedicated rotary hammers. Refer to the Specifications chart for compatible tools.

1. Remove the battery pack from the rotary hammer.
2. Slide the body of the rotary hammer onto the dust extractor rails.
3. Push the contacts through the protective cover on the rotary hammer. The hammer release will snap into place.

Installing/Removing the Bit

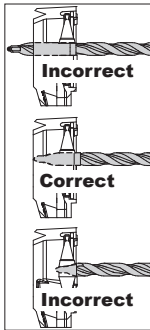
Slide the bit through the nozzle and then install into the tool according to the tool manufacturer's instructions. For best results, use a bit 254 mm (10") in length or shorter.

Fitting the HAMMERVAC™ to the Tool and Bit

For proper suction and depth control, position the nozzle assembly so the bit is flush with the forward face of the nozzle:

1. Press and hold the tool and bit depth gauge button.
2. Push in the nozzle assembly until the bit is flush with the front face of the nozzle.
3. Release the tool and bit depth gauge button.

NOTE: Fully extend the HAMMERVAC™ before storing to preserve spring life.



OPERATION

AWARNING To reduce the risk of fire and injury, do not use to pick up flammable or combustible materials. Empty dust box completely before use.

To reduce the risk of injury, always use personal protective equipment. Always wear eye protection marked to comply with AS/NZS 1337.1.

When working in dusty situations, wear appropriate respiratory protection or use a suitable dust extraction solution.

Always remove battery pack before changing or removing accessories. Only use accessories specifically recommended for this tool. Others may be hazardous.

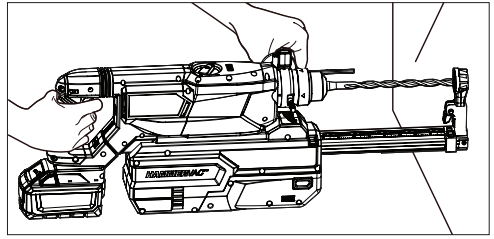
Proper Operation

1. Empty the dust box.

NOTE: For optimal use to remove debris in the dust box, refer to the "Removal and Cleaning of Dust Box and Filter" section.

2. Fit the HAMMERVAC™ to the tool and bit.
3. Set the drill depth.
4. Install the battery pack.
5. Pull trigger to start HAMMERVAC™.
6. Begin use according to tool manufacturer instructions.

7. Always hold the tool securely using both handles to maintain control.



8. Stop and empty dust box:

- When suction decreases,
- When dust begins to come through the nozzle bit brush,
- When dust covers the filter in the visible dust box.

NOTE: When the HAMMERVAC™ has come to a stop, the AUTOPULSE™ Filter Cleaning Mechanism will click three times to clear the filter of debris that could become lodged. For best performance, position the HAMMERVAC™ either horizontally or vertically downward (pointed at the ground) during this cycle. Empty the dust box often (see Removal and Cleaning of Dust Box and Filter section).

MAINTENANCE

AWARNING To reduce the risk of injury, always unplug the charger and remove the battery pack from the charger or tool before performing any maintenance. Never disassemble the tool, battery pack or charger. Contact a MILWAUKEE® service facility for ALL repairs.

Do not use tool without dust box and HEPA filter in place.

Maintaining Tool

Keep your tool, battery pack and charger in good repair by adopting a regular maintenance program. Inspect your tool for issues such as undue noise, misalignment or binding of moving parts, breakage of parts, or any other condition that may affect the tool operation. Return the tool, battery pack, and charger to a MILWAUKEE® service facility for repair. If the tool does not start or operate at full power with a fully charged battery pack, clean the contacts on the battery pack. If the tool still does not work properly, return the tool, charger and battery pack, to a MILWAUKEE® service facility for repairs.

Cleaning

Clean dust and debris from vents. Keep handles clean, dry and free of oil or grease. Use only mild soap and a damp cloth to clean, since certain cleaning agents and solvents are harmful to plastics and other insulated parts. Some of these include petrol, turpentine, lacquer thinner, paint thinner, chlorinated cleaning solvents, ammonia and household detergents containing ammonia. Never use flammable or combustible solvents around tools.

Repairs

For repairs, return the tool, battery pack and charger to the nearest authorised service centre.

ACCESSORIES

⚠WARNING Use only recommended accessories. Others may be hazardous.

For a complete listing of accessories, go online to milwaukeeetool.com.au / milwaukeeetool.co.nz or contact a distributor.

WARRANTY - AUSTRALIA and NEW ZEALAND

Please refer to Australian and New Zealand warranty supplied with tool. This warranty applies only to product sold by authorised dealers in Australia and New Zealand.

SERVICE - AUSTRALIA and NEW ZEALAND

MILWAUKEE® prides itself in producing a premium quality product that is Nothing But Heavy Duty™. Your satisfaction with our products is very important to us! If you encounter any problems with the operation of this tool, please contact your authorised **MILWAUKEE®** dealer.

For a list of **MILWAUKEE®** dealers, guarantee or service agents please contact **MILWAUKEE®** Customer Service or visit our website.

(Australia Toll Free Telephone Number 1300 645 928)

(New Zealand Toll Free Telephone Number 0800 645 928)

or visit milwaukeetool.com.au/milwaukeetool.co.nz.

Milwaukee Electric Tool Corporation

13135 West Lisbon Road, Brookfield, Wisconsin U.S.A. 53005

Milwaukee Tool (Australia)

26 - 40 Nina Link, Dandenong South,
Victoria, 3175, Australia

Milwaukee Tool (New Zealand)

274 Church Street, Penrose,
Auckland, 1061, New Zealand

DESIGNED BY MILWAUKEE ELECTRIC TOOL CORP.

PROFESSIONALLY MADE IN CHINA

PRINTED IN CHINA